

**MESQUITE
ABOVE COUNTER
SANDSTONE BASIN**

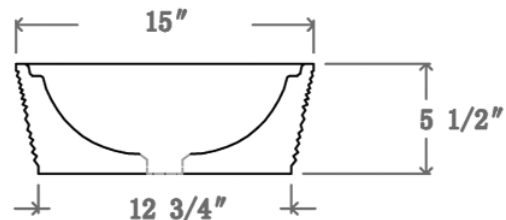
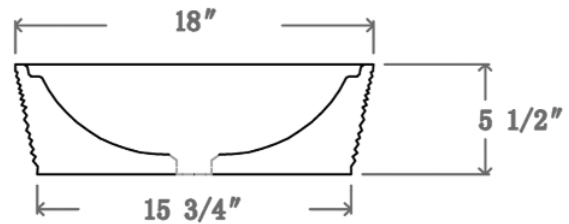
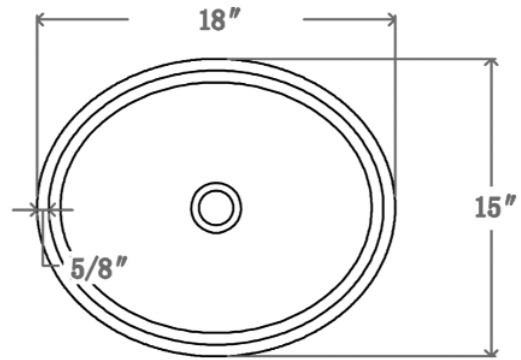
Cat. No
7-733



L: 18"
D: 15"
H: 5-1/2"

Features:

- ▶ Constructed of natural Sandstone
- ▶ Chiseled exterior
- ▶ No faucet hole
- ▶ No overflow
- ▶ Accommodates drain 1-1/2"
- ▶ For use with grid drain **#5601** or umbrella drain **#UD701** (NOT INCLUDED)



Interior Dimensions

Basin interior: 14-1/2" X 11-3/4"
Basin depth: 4"

Dimensions of fixture are nominal and may vary within the range of tolerances established by ASME Standard A112.19.2. Dimensions and specifications subject to change without notice.