



### Features

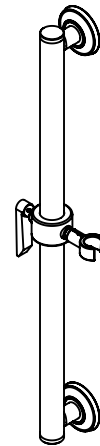
- 25+ artisan finishes including 12 PVD finishes
- All brass construction
- Adjustable position slide with positive-lock swivel holder
- Accepts most conical handshower hoses
- Right or left handed based on installation
- 1-1/4" diameter bar
- Concealed mounting
- Mounting hardware included

### Codes/Standards Applicable

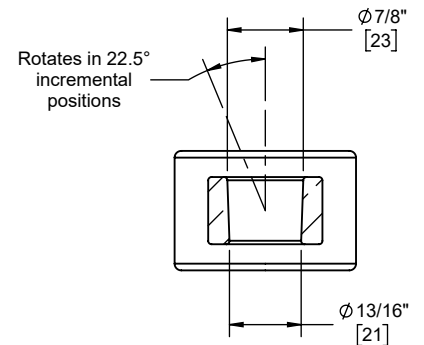
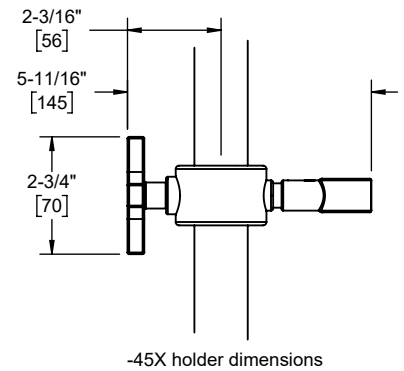
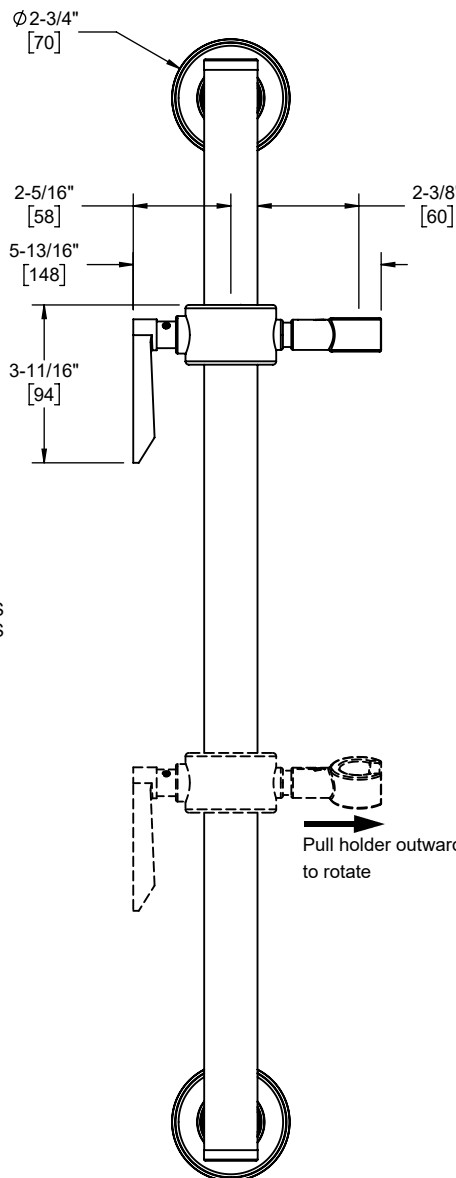
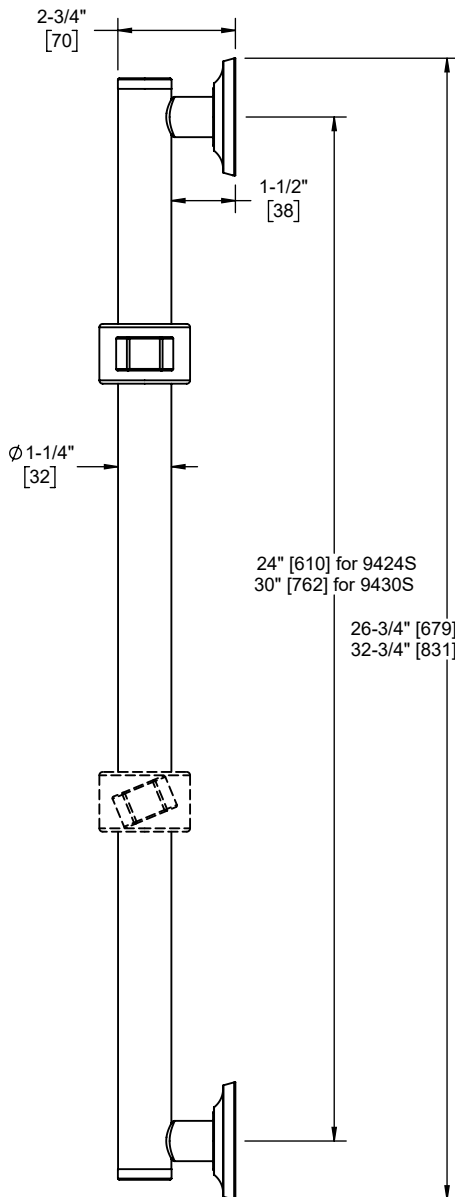
Product meets or exceeds the following:

- ASME A112.18.1/CSA B125.1
- ADA compliant grab bar

**9424S-45**  
**9424S-45X**  
**9430S-45**  
**9430S-45X**



9424S-45 shown



(8X) - #8 X 1-3/4" phillips head screw

Dimensions are inches, rounded to 1/16"  
[Dimensions in brackets are mm, rounded to 1mm]