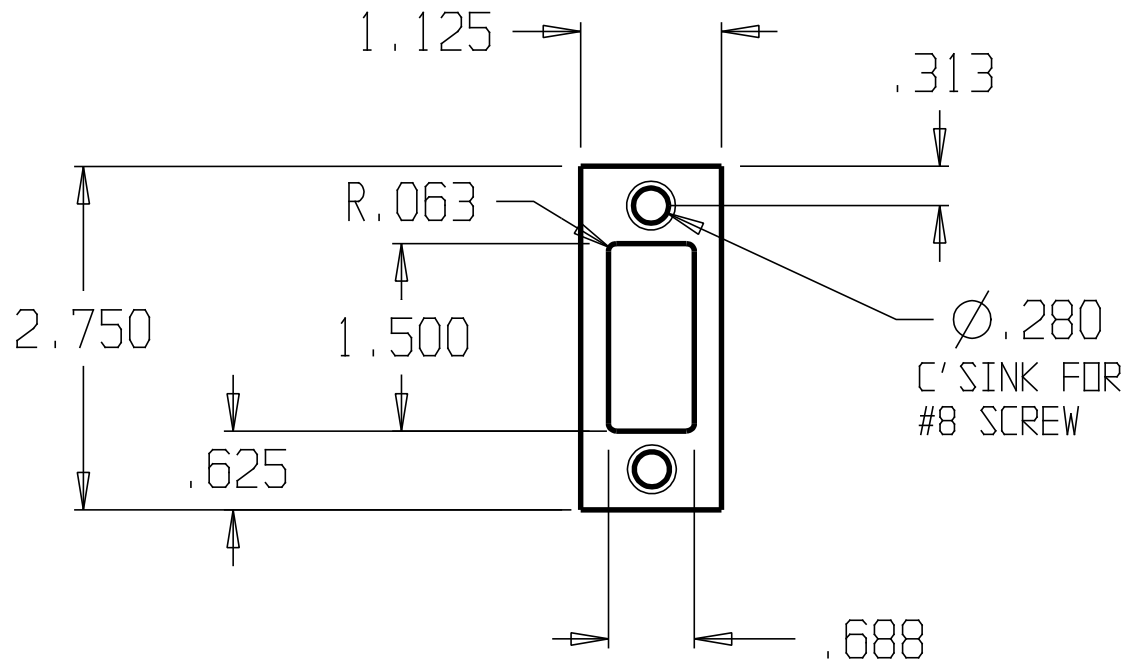


REVISIONS			
ZONE	REV	FINISHES:	GAUGE:
		605 & 630	18ga. .050



**DON-JO MFG. INC.**

DESIGNER

APPROVED

SIZE	DATE:	PART NO.	REV
A	5/12/04	DS-234	
SCALE	RELEASE DATE	WEIGHT	SHEET