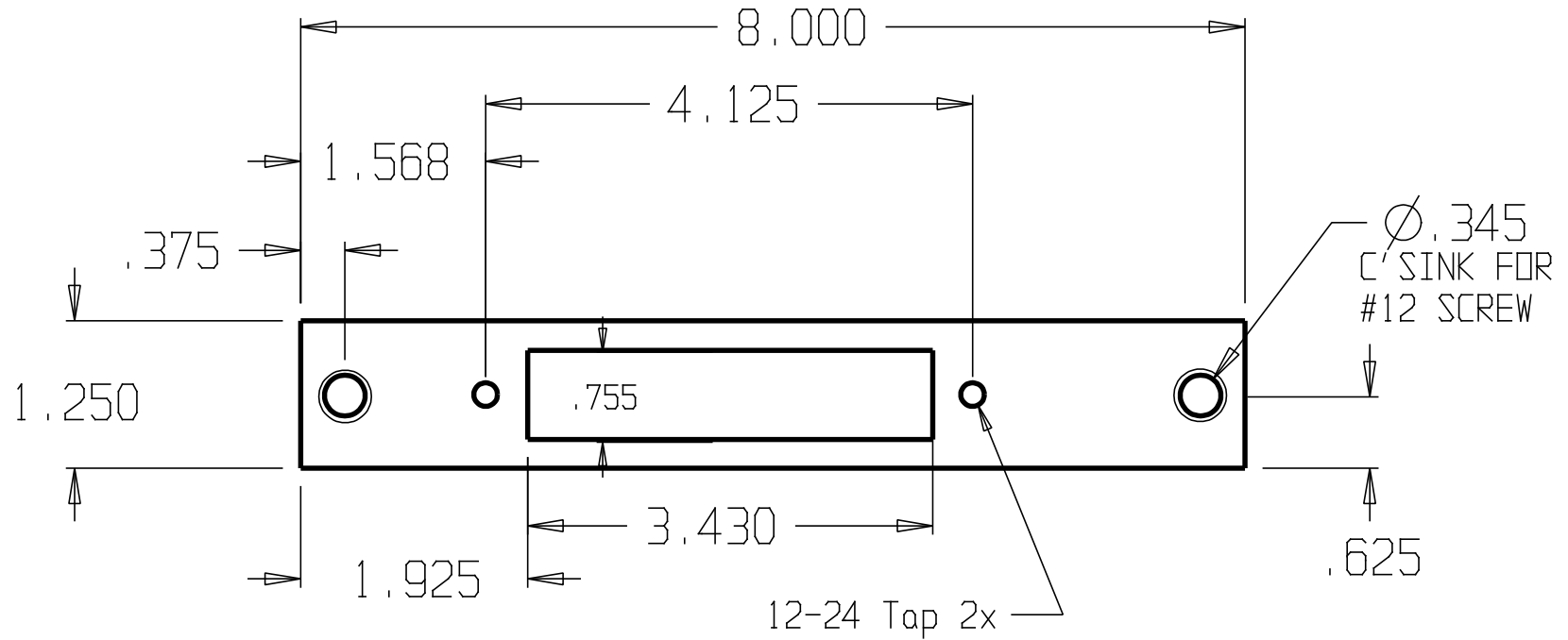


REVISIONS			
ZONE	REV	FINISHES:	GAUGE:
		PC	1/4"



DON-JO MFG. INC.

DESIGNER	
APPROVED	

SIZE	DATE:	PART NO.	REV
A	6/3/04	ST-386	
SCALE	RELEASE DATE	WEIGHT	SHEET