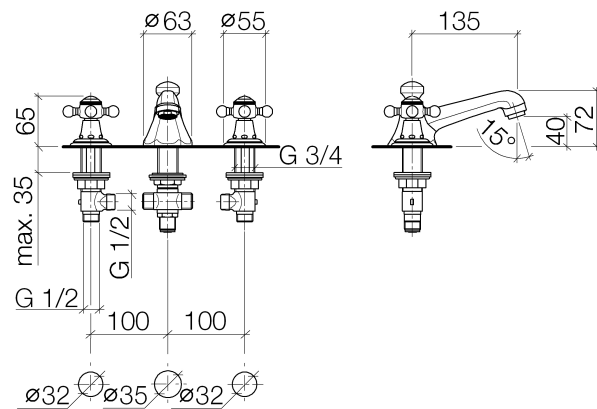




Product specifications

• **5-3/8" Projection**

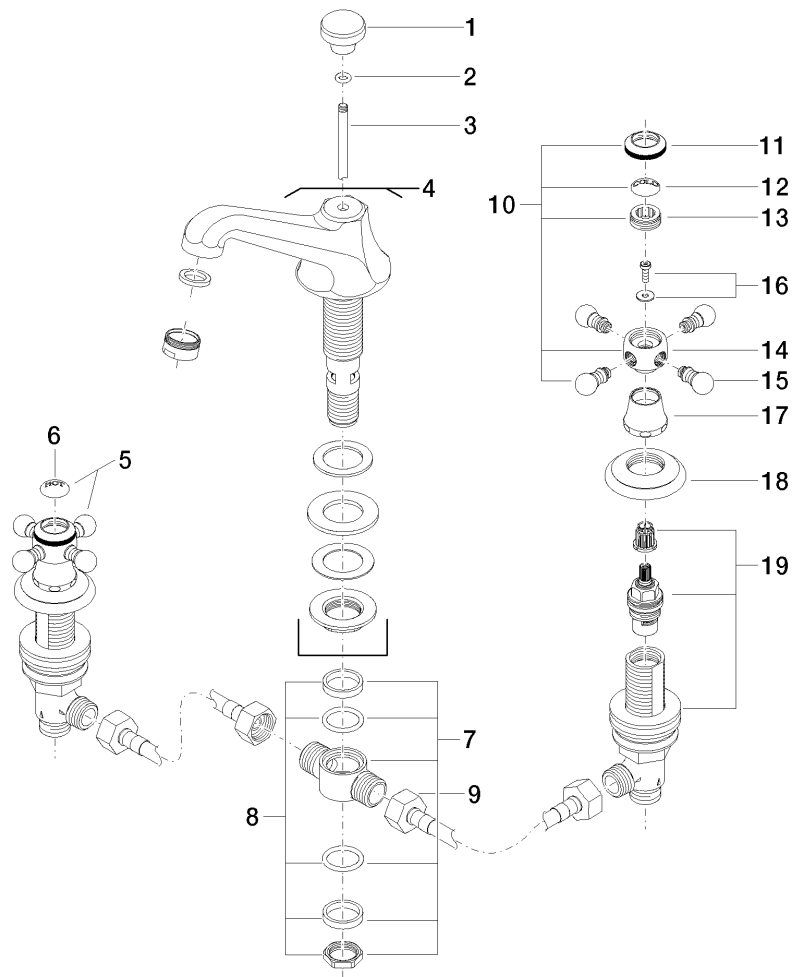
- US drain with overflow
- Fixed spout
- Round aerated stream
- Total height 2-7/8"
- Height to aerator/spout outlet 1-5/8"
- Valve hole diameter 1-1/4"
- Spout hole diameter 1-3/8"
- Without flange
- Water flow rate limited to max. 1.2 gpm
- low lead compliant



Surfaces

- | | |
|-----------------|-----------------|
| • chrome | 20700360-000010 |
| • matt platinum | 20700360-060010 |
| • platinum | 20700360-080010 |
| • brass | 20700360-090010 |

Exploded assembly drawing



20 — Ablaufgarnitur 04.11.01.001.00.FF

Order quantity

No.	Article number	Name	Installation quantity
1	092036030ff	handle	1
2	09141006290	seal	1
3	093109004ff	pull-rod	1
4	13700380ff0010	spout	1
5	04203600207ff	handle (hot)	1
6	09260101190	accessories	1
7	0417110201090	distributor	1
8	9023100120090	gasket kit	1
9	0430040960090	hose	2
10	04203600206ff	handle (cold)	1
11	092036005ff	handle	2
12	09260101090	accessories	1
13	09208300690	handle	2
14	092036002ff	handle	2
15	092036004ff	handle	8
16	0430300290090	fixing set	2
17	092102055ff	cover	2
18	092735001ff	rosette	2
19	9017110405190	side panel	2
20	04110102300ff	pop-up waste	1

Bath & Spa

Madison Three-hole lavatory mixer with drain

Article number: 20700360ff0010

