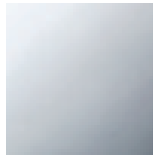


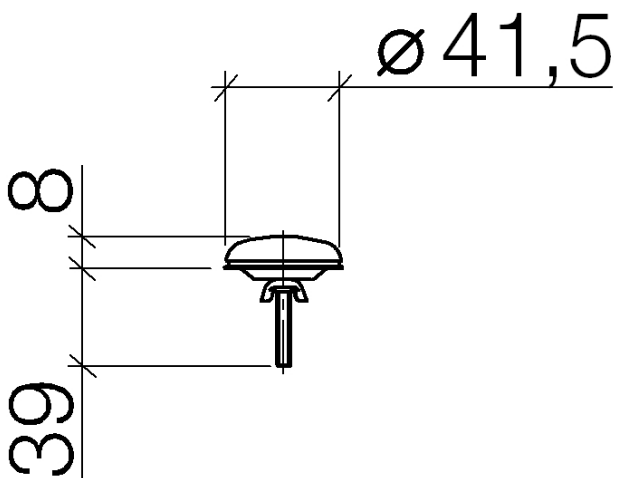


Kitchen - Series-various
Cover for tap hole - polished chrome
Article number: 12 715 970-00



polished chrome

Dimensional drawing



All dimensions in mm / inch = mm x 0,0394



Kitchen - Series—various
Cover for tap hole - polished chrome
Article number: 12 715 970-00



Kitchen - Series-**various**
Cover for tap hole - polished chrome
Article number: 12 715 970-00

Other surface finishes



platinum matte
12 715 970-06



platinum
12 715 970-08



Durabrass
12 715 970-09



Brushed Durabrass
12 715 970-28



black matte
12 715 970-33

More custom finish options are available via special production (xTra Service). Please see our finish matrix for availability and pricing or contact a Dornbracht representative.

Spare parts list

Number	Item Number	Designation	Number of units
--------	-------------	-------------	-----------------

