



Shower - Series–various

RAIN SKY M Rain panel for flush ceiling installation manual control - polished stainless steel

Article number: 41 101 979-85 0010



- 7-7/8" x 6-1/4" headshower, 99 jets
- 14-1/8" x 11" body shower, 142 jets
- 28-3/8" x 21-1/4" rain curtain, 124 jets
- 40-1/8" x 32-1/4" x 1/8" stainless steel cover plate
- 3x 1/2" flex lines
- 39" x 31-1/8" x 5" pre-fitted, stainless steel enclosure
- lights not included
- 2 hinges and safety chains

Technical data:

- Max Flow rate for each rain function: 2.5 gpm
- minimum working pressure = 29 Psi
- maximum working pressure = 58 Psi
- Weight: 110 lbs
- IP 65

Technical data:

Plumbing:

- Water softening device recommended
- For the optimum choice of hot water storage device – taking into consideration the amount of water used in the bathroom and the frequency with which RainSky M is used – the specific demand needs to be assessed.
- For choosing the drainage, taking into consideration the output of items in the shower, the specific demand needs to be assessed.
- Supply line (hot/cold): 2 x 3/4"
- Must be installed with diverter (rough included).
- Diverter ensures that the product does not exceed the max. flow rate of 2.5 gpm at any setting. It does not permit the use of two functions simultaneously.
- Diverter trim is sold separately
- Please refer to Planning Guide for proper sizing and installation methods



polished stainless steel

All dimensions in mm / inch = mm x 0,0394

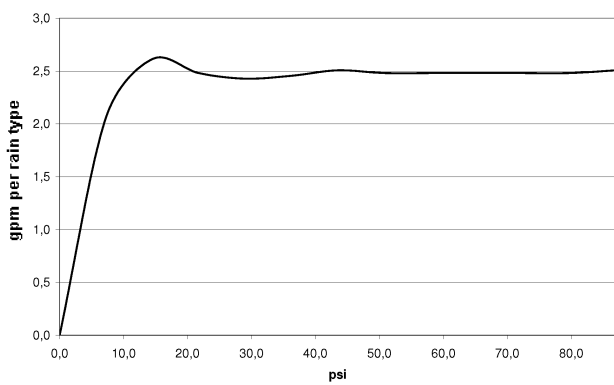


Shower - Series-various

RAIN SKY M Rain panel for flush ceiling installation manual control - polished stainless steel

Article number: 41 101 979-85 0010

Flow rate chart





Shower - Series-various

RAIN SKY M Rain panel for flush ceiling installation manual control - polished stainless steel

Article number: 41 101 979-85 0010

Other surface finishes

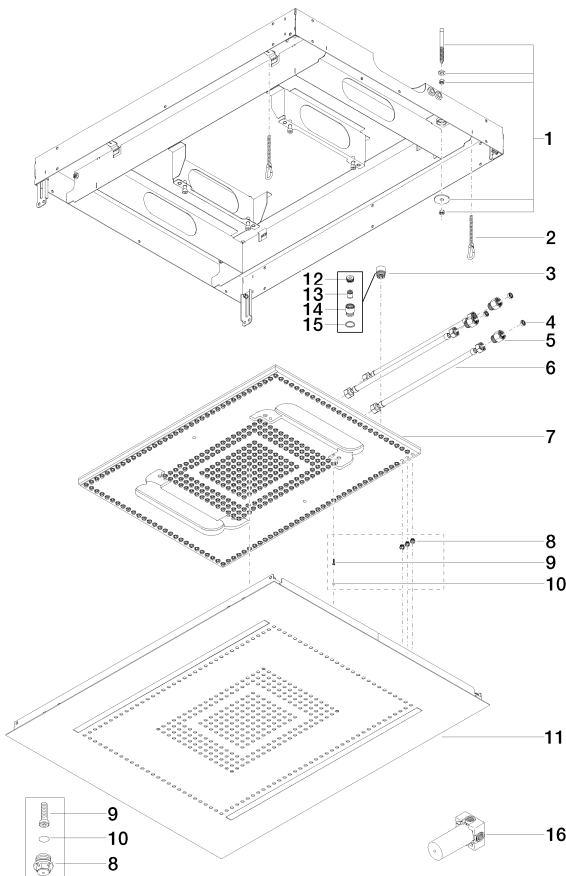


matte stainless steel

41 101 979-86 0010

More custom finish options are available via special production (xTra Service). Please see our finish matrix for availability and pricing or contact a Dornbracht representative.

Spare parts list



Number	Item Number	Designation	Number of units
1	04 30 35 006 01 90	fixing set	4
2	04 21 50 004 00 90	accessories	2
3	04 24 03 027 01 90	nipple	4
4	09 23 01 134 90	flow reducer	3
5	09 24 03 146 90	nipple	3
6	12 502 970 90	Flexible supply line 1/2" x 1/2" x 15-3/4" -	4
7	04 12 05 005 10 90	shower	1
8	04 29 03 036 00 90	insert	365
9	09 30 30 047 90	screw	4
10	09 31 20 036 90	plug	4
11	04 11 02 113 03-85	cover	1
12	09 24 04 112 10 90	nipple	4
13	09 23 01 042 90	insert	4
14	09 24 03 027 90	nipple	4
15	09 14 20 025 90	seal	4
16	35 104 970-90 0010	Wall mounted three-way diverter -	1