

Limited Lifetime Faucet Warranty

Fluid™ warrants its faucets to be free from defects in material and workmanship for as long as the original consumer/purchaser/owner owns his or her home.* Plastic and rubber components are warranted for a period of two years. This warranty applies only to original installation locations. If a defect is found in normal residential use, Fluid™ will, at its election, repair, provide a replacement part or product, or make the appropriate adjustment.

Fluid™ reserves the right to examine the product in question and its installation prior to replacement. This warranty is limited to replacement of defective parts only. Damage to a product caused by accident, improper installation, misuse or abuse, improper care of finishes, hard water or mineral deposits, potassium or salt based water softener systems or exposure to corrosive materials is not covered by this warranty. Improper care and cleaning will void the warranty.** Replacement parts can be obtained from your local dealer or directly from the Fluid™ warehouse, (shipping charges may apply). Dated proof of purchase must accompany all warranty claims. This warranty applies only to Fluid™ faucets installed in the United States of America, Canada or Mexico (North America).

Fluid™ recommends using a certified plumber for faucet installation and repair. Incidental and consequential damages, labor charges, repair or replacement costs are expressly excluded. In no event shall the liability of Fluid™ exceed the purchase price of the faucet. Some states and provinces do not allow the exclusion or limitation of incidental or consequential damages, so the above limitation may not apply to you. This warranty gives you specific legal rights which vary from state/province to state/province. If you find any such problem with your product, please immediately contact your nearest Fluid™ dealer or sales representative.

Need Help?

For additional assistance

Toll Free: 1 800 460 7019

Fax: 1 604 430 5050

help@sustainablesolutions.com

www.sustainablesolutions.com

* Two year warranty on commercial applications.

** Never use cleaners containing abrasive cleansers, ammonia, bleach, acids, waxes, alcohol, solvents or other products not recommended for surface finishes. This will void the warranty.

This product meets or exceeds the following standards:

ASME A112.18.1 / CSA B125.1

This product has been tested and certified by IAPMO.



IAPMO LISTED

**Sustainable
Solutions**

Sustainable Solutions

Phone: 1 800 460 7019

www.SustainableSolutions.com

fluid |

Sustainable Solutions

Installation Instructions for Pressure Balancing Valve Set w/ 3-Way Diverter F1003B



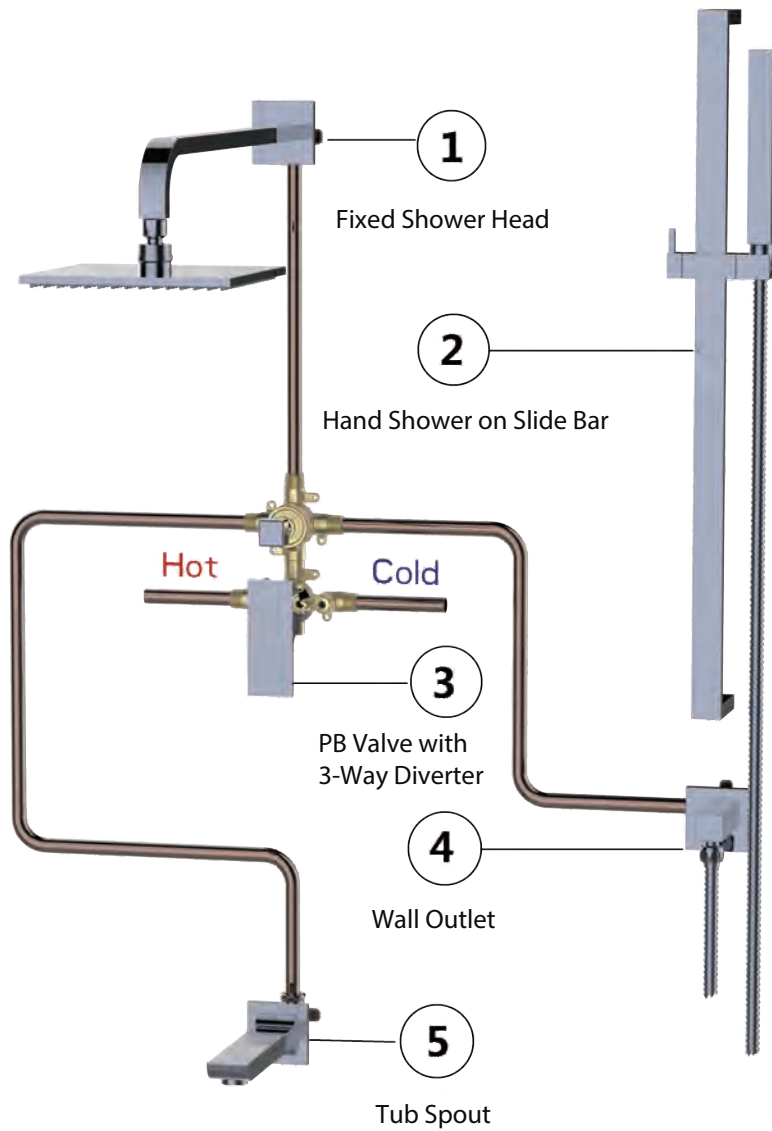
Do not complete and cover over rough in installation until valve and diverter (if any) have been fully water tested for any leaks.

Pressure Balancing Valve Set w/ 3 Way Diverter / VO/2019

Please Keep This Manual For Future Reference

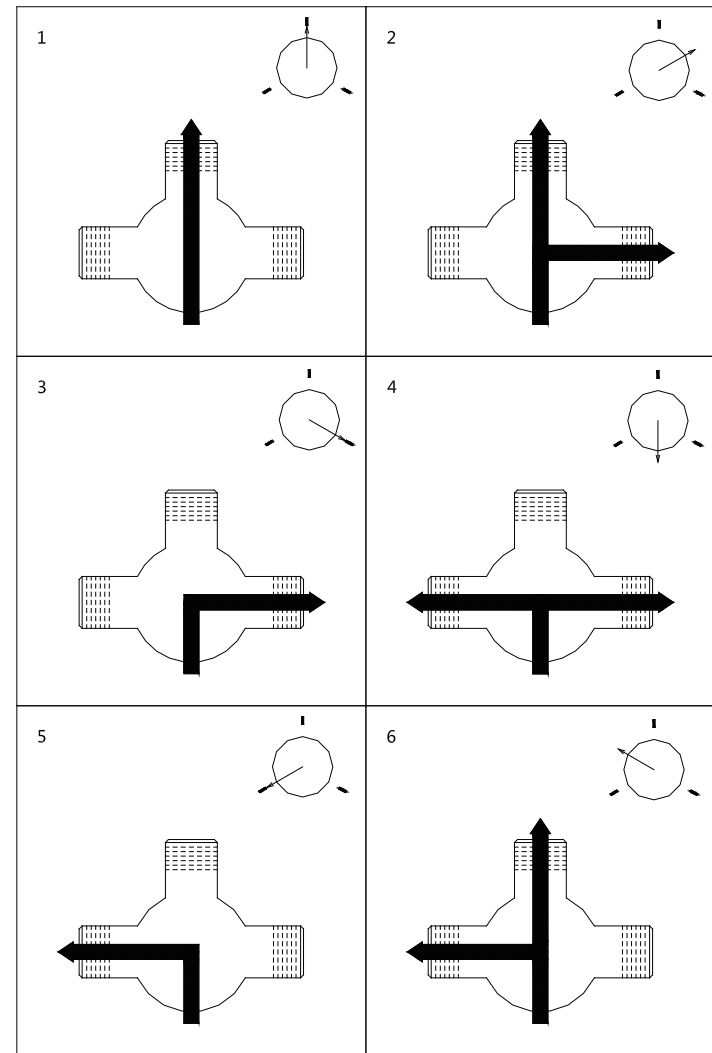
Recommended Installation Layout for F1003B Pressure Balancing Valve with 3-Way Diverter

Tub and Handheld Shower on Slide Bar







Water Flow For 3 Way Diverter Valve

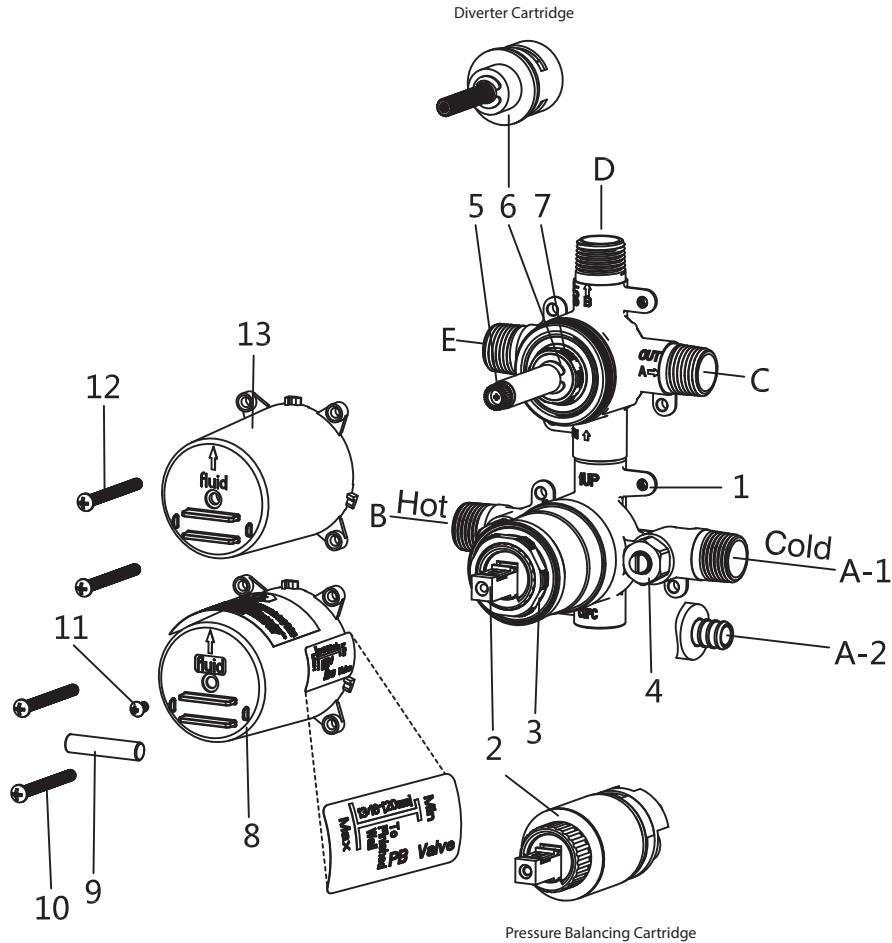
— Open



Tools Required for Installation

-  Teflon Tape
-  Adjustable Wrench

-  Screw Driver
-  Soldering Equipment



Valve Installation Instructions

1. Shut off cold and hot water supplies.
2. Make sure to use the enclosed Cutout Template to cut the wall opening correctly.
3. Use mounting brackets with screws (not supplied) to install valve body (#1) so the FINISHED wall surface is between the MIN and the MAX mark on the mud guard (#8).
NOTE: Make sure that the arrows on the mud guard (#8 and #13) points upwards, and use the bubble level (#9) for leveling reference.
4. Connect the valve body (#1) to water supplies using proper fittings (copper tubing, iron pipe or PEX). (A) is the cold inlet port and (B) is the hot inlet port.
- 5.1 For 1/2" Copper Tube Soldering Connections: Solder water supply tube to valve body (#1).
NOTE: Prior to soldering remove integral stops, pressure balancing cartridge (#2) and diverter cartridge (#6). Remove integral check stops (#4) by loosening hex nut counter-clockwise. Remove pressure balancing cartridge (#2) by unscrewing retaining nut (#3) with a 1-11/32" socket wrench. Remove diverter cartridge (#6) by unscrewing retaining nut (#7) with a 29/32" socket wrench. Avoid soldering excessively at high temperature.
- 5.2 For 1/2" IPS Thread Connections: Apply Teflon tape onto threaded ends and connect water lines.

FOR PRESSURE BALANCING VALVE WITH 3-WAY SHARING DIVERTER:

- 6a. This pressure balancing valve is fitted with a 3-way sharing diverter with 3 outlets (#C, #D and #E). The diverter valve diverts the mixed water flow to different outlets as well as allows flow sharing between two adjacent outlets. Connect outlets to shower elements using proper fittings and piping. Any unused outlets should be sealed with a cap (not supplied).

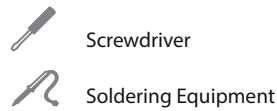
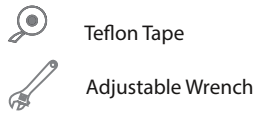
FOR PRESSURE BALANCING VALVE WITH 3-WAY SHUTOFF DIVERTER:

- 6b. This pressure balancing valve is fitted with a 3-way shutoff diverter with 3 outlets (#C, #D and #E). The diverter valve diverts the mixed water flow to different outlets as well as turns on and off the flow. Connect outlets to shower elements using proper fittings and piping. Any unused outlets should be sealed with a cap (not supplied).

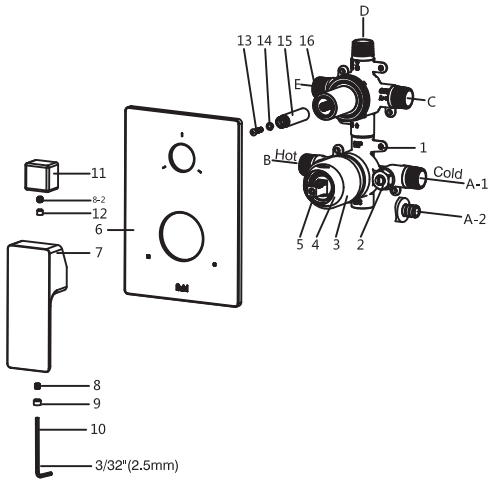
NOTE: It's recommended to use either 1/2" nominal copper pipe or 1/2" iron pipe from the valve body to the tub spout and NOT to use PEX fitting.

7. Before putting the valve into use, please make sure that the flathead screws on the integral check stops (#4) are all the way out to ensure the stops are completely open for maximum flow.

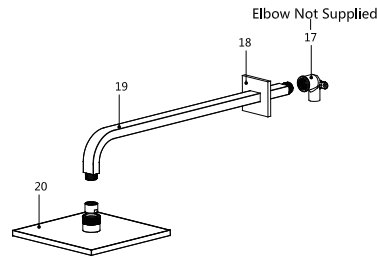
Tools Required for Installation



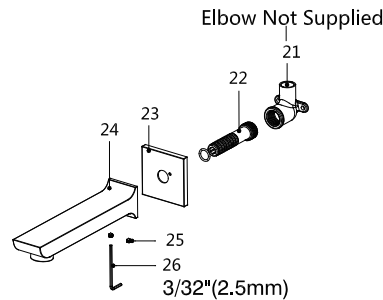
1. Cover and Handle



2. Fixed Showerhead



3. Tub Spout



4. Hand Shower

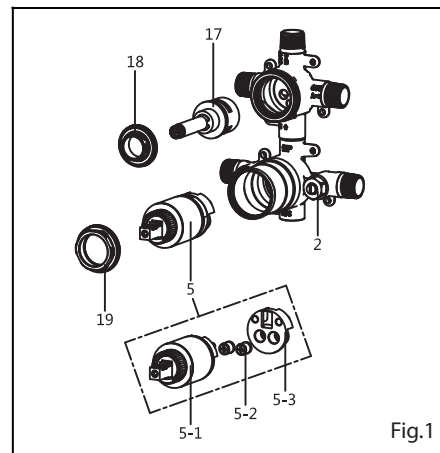
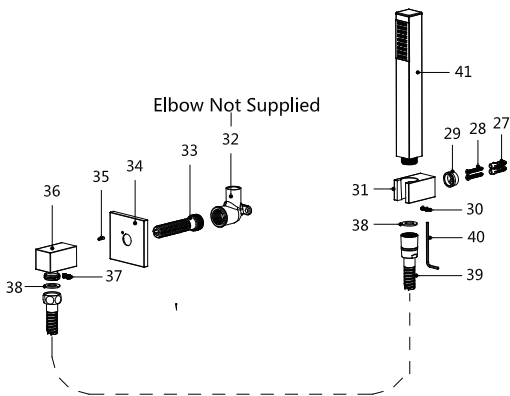


Fig.1

Trim Installation Instructions

Use the Recommended Installation Layout to plan your trim installation.

- For Cover and Handle Installation
 - Remove mud guard from the valve body.
 - Screw sleeve tubes (#3 and #16) onto the valve body.
 - Slide cover plate (#6) over two sleeve tubes (#3 and #16).
 - Apply a small bead of silicone onto four corners of the backside of the square cover plate (#6) OR peel the white tape off seal gasket on the backside of the round or the soft square cover plate.
 - Gently press cover plate (#6) against the finished wall.
 - Install handle (#7) onto the pressure balancing cartridge stem (#5). Secure handle (#7) by tightening set screw (#8) by using the supplied Allen Wrench (#10). Cover the hole with the supplied Silicon plug (#9).
 - To position diverter handle (#11) at the desired upward position, loosen screw (#13), rotate spindle adapter (#15) and at the same time rotate diverter handle (#11) until the desired position is achieved.
 - Secure the spindle adapter (#15) with screw (#13) and diverter handle (#11) with set screw (#8-2) by using Allen wrench (#10). Push in silicon plug (#9-2).
- For Fixed Showerhead Installation
 - Make sure 1/2" threaded elbow (#17) is installed securely inside the wall.
 - Slide flange (#18) over shower arm (#19).
 - Apply Teflon tape onto threads, and screw shower arm (#19) into 1/2" threaded elbow (#17) inside the wall.
 - Apply Teflon tape onto threads and thread shower head (#20) onto shower arm (#19).
- For Tub Spout Installation
 - Make sure 1/2" threaded elbow (#21) is installed securely inside the wall.
 - Thread "Quick Connector" (#22) into threaded elbow (#21). NOTE: For "Quick Connector" (#22) installation details, refer to the enclosed General

- Instructions for "Quick Connector".
- Slide escutcheon (#23) and tub spout (#24) over "Quick Connector" (#22) all the way against the finished wall.
 - Secure tub spout (#24) with two set screws (#25) by using 3/32"(2.5mm) Allen wrench (#26).
 - For Handheld Shower Wand Installation
 - Make sure 1/2" threaded elbow (#32) is installed in place securely inside the wall.
 - Apply Teflon tape onto threads and screw "Quick Connector" (#33) into threaded elbow (#32).
 - Slide escutcheon (#34) over "Quick Connector" (#33). NOTE: For "Quick Connector" (#33) installation details, refer to the enclosed General Instruction for "Quick Connector".
 - Install water outlet (#36) into "Quick Connector" (#33). Pin (#35) is inserted only into square outlet.
 - Use Allen wrench (#40) to secure set screw (#37).
 - Determine location of handheld shower holder (#31).
 - Mark position of mounting bracket (#29) on the finished wall.
 - Drill holes per marks and insert plastic anchors (#27) into the finished wall.
 - Secure mounting bracket (#29) against the wall by fastening screws (#28).
 - Secure holder (#31) with set screws (#30) using Allen wrench (#40).
 - Insert rubber washers (#38) into the thread fittings of flex hose (#39).
 - Thread flex hose (#39) onto water outlet elbow (#36) and handheld shower wand (#41) at the end of flex hose (#39).
 - To seal and prevent water from leaking behind trim pieces, apply a small bead of silicon between the finished wall and the top and side edges of cover plate (#6) or the two escutcheons (#23 and #34). For round plates, apply to the top arc.

Cleaning and Maintenance Instructions

For Pressure Balancing Cartridge (#5) as shown in Fig. 1:

- Close two integral check stops (#2) by turning clockwise with a flat head screwdriver.
- After removing retaining nut (#19) using an adjustable wrench or a 1-11/32" socket wrench, use two fingers to grasp the cartridge stem and wiggle, then pull out.
- You may soak it in vinegar to remove calcium build-up and any debris.
- If check valves (#5-2) are plugged with dirt and debris, remove check valves from raised block (#5-3). Use small needle to remove dirt and debris under the running clean water.
- Insert the pressure balancing cartridge (#5-1) with raise block (#5-3) attached by aligning position pins with

position holes. Replace the retaining nut (#19).

For Diverter Cartridge (#17) as shown in Fig.1:

- Turn off pressure balancing cartridge (#5).
- After removing retaining nut (#18) using an adjustable wrench or a 29/32" socket wrench, pull the diverter cartridge (#17) out.
- You may soak it in vinegar to remove calcium build-up and any debris.
- To install diverter cartridge (#17), insert cartridge into valve body by aligning position pin on the bottom of diverter cartridge (#17) with position hole. Use two thumbs to push the diverter cartridge (#17) into the valve body.
- The diverter cartridge (#17) is properly installed if it can not be turned to left or right by hand.