

CHELSEA CANTERBURY

INSTALLATION
INSTRUCTIONS

for

Traditional Tumbler,
Traditional Soap Dish
&
Soap/Lotion Dispenser

1113, 1114 & 1115

1513, 1514 & 1515

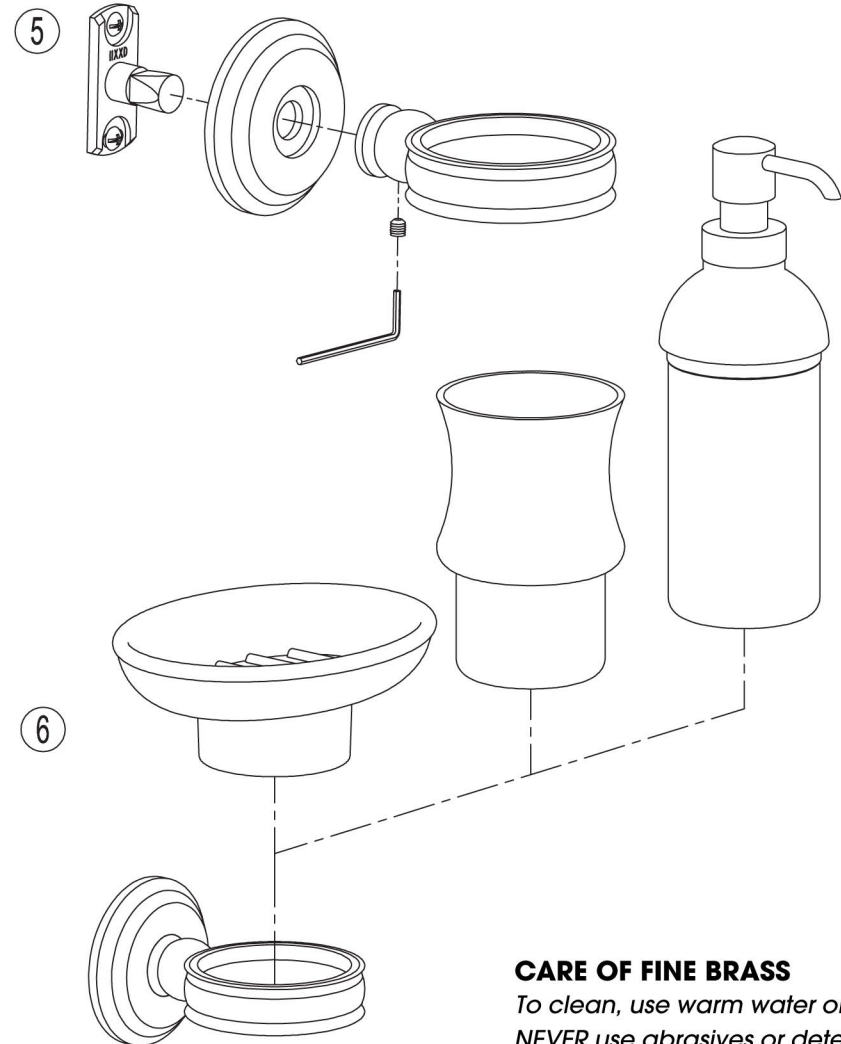
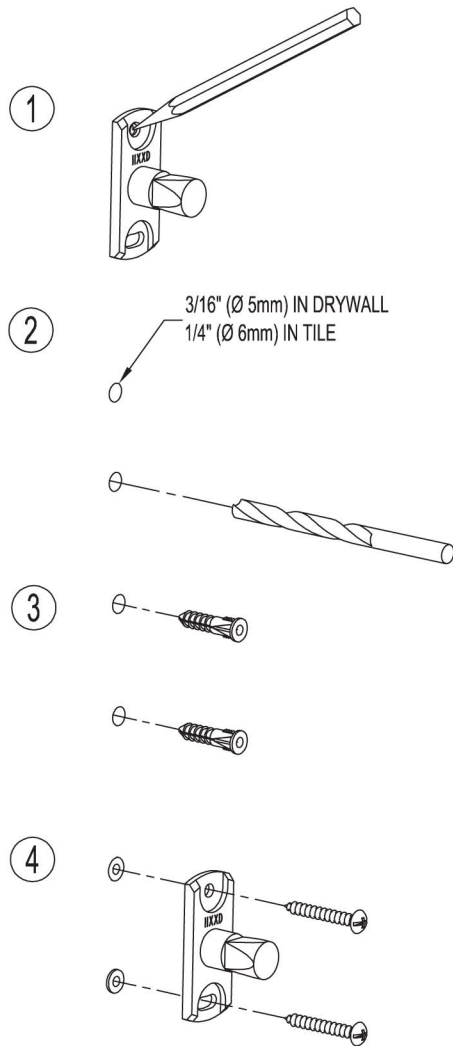
GINGER®

GINGER®

2001 CARNEGIE AVE
SANTA ANA CA 92705
949-417-5207
www.gingerco.com

INSTALLATION INSTRUCTIONS

Chelsea/Canterbury
Traditional Tumbler, Soap Dish & Soap/Lotion Dispenser
1113, 1115, 1114/1513, 1515, 1514



CARE OF FINE BRASS

To clean, use warm water only.
NEVER use abrasives or detergents.