

BATHROOM  
Solar Roman Tub Set  
**G-3751-LM31**

---

**GRAFF®**



**Information**

- 1 11/32" hole cutout (x4)
- Aerated Flow Rate ~7 gpm @45 psi
- Deck-Mounted Handshower and Diverter Set Included
- Optional in-line pressure balancing valve
- ADA





## Information

- 1 11/32" hole cutout (x2)
- Aerated Flow Rate ~7 gpm @45 psi
- Matching deck-mounted handshower & diverter set available
- ADA

## Finishes



24K Gold



24K Brushed  
Gold



Architectural  
Black™



Matte Black



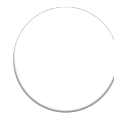
Polished  
Chrome



Polished  
Nickel



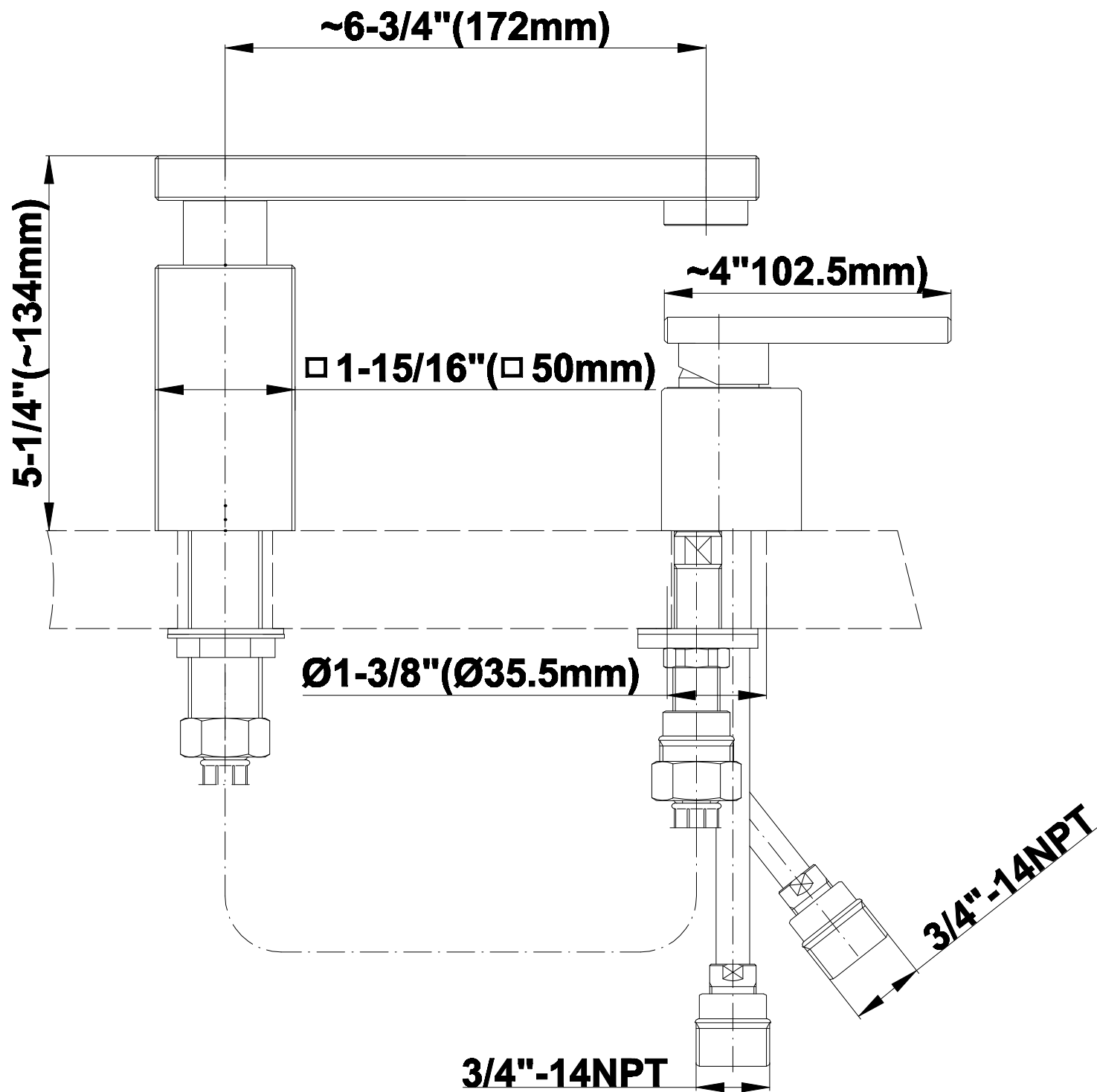
Steelnox®  
(Satin Nickel)



Architectural  
White

# G-3750

## SOLAR Series



BATHROOM  
Solar Deck-Mounted Handshower  
& Diverter Set  
**G-3755**

**GRAFF®**



**Information**

- Matches G-3750-LM31 (Tub Filler)
- 1 11/32" hole cutout (x2)

**Finishes**



24K Gold



24K Brushed  
Gold



Architectural  
Black™



Matte Black



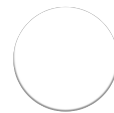
Polished  
Chrome



Polished  
Nickel



Steelnox®  
(Satin Nickel)



Architectural  
White

# Solar G-3755

