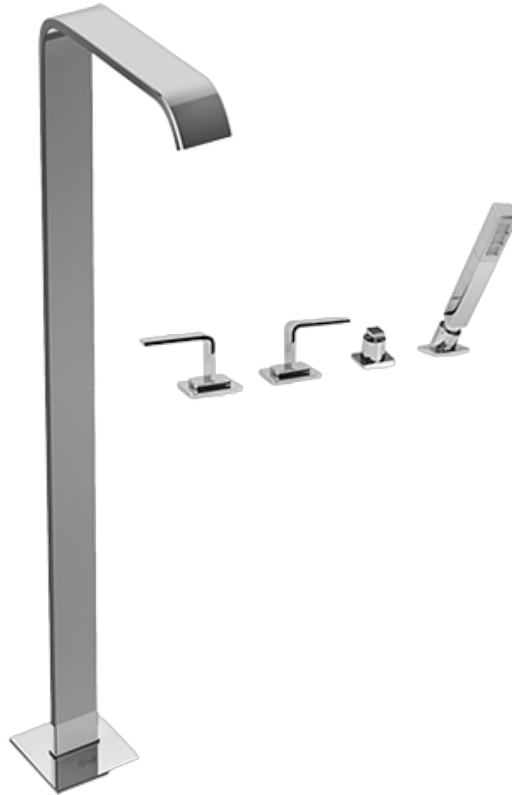


BATHROOM
Immersion Floor-Mounted Tub
Filler
G-2354-LM40B

GRAFF®

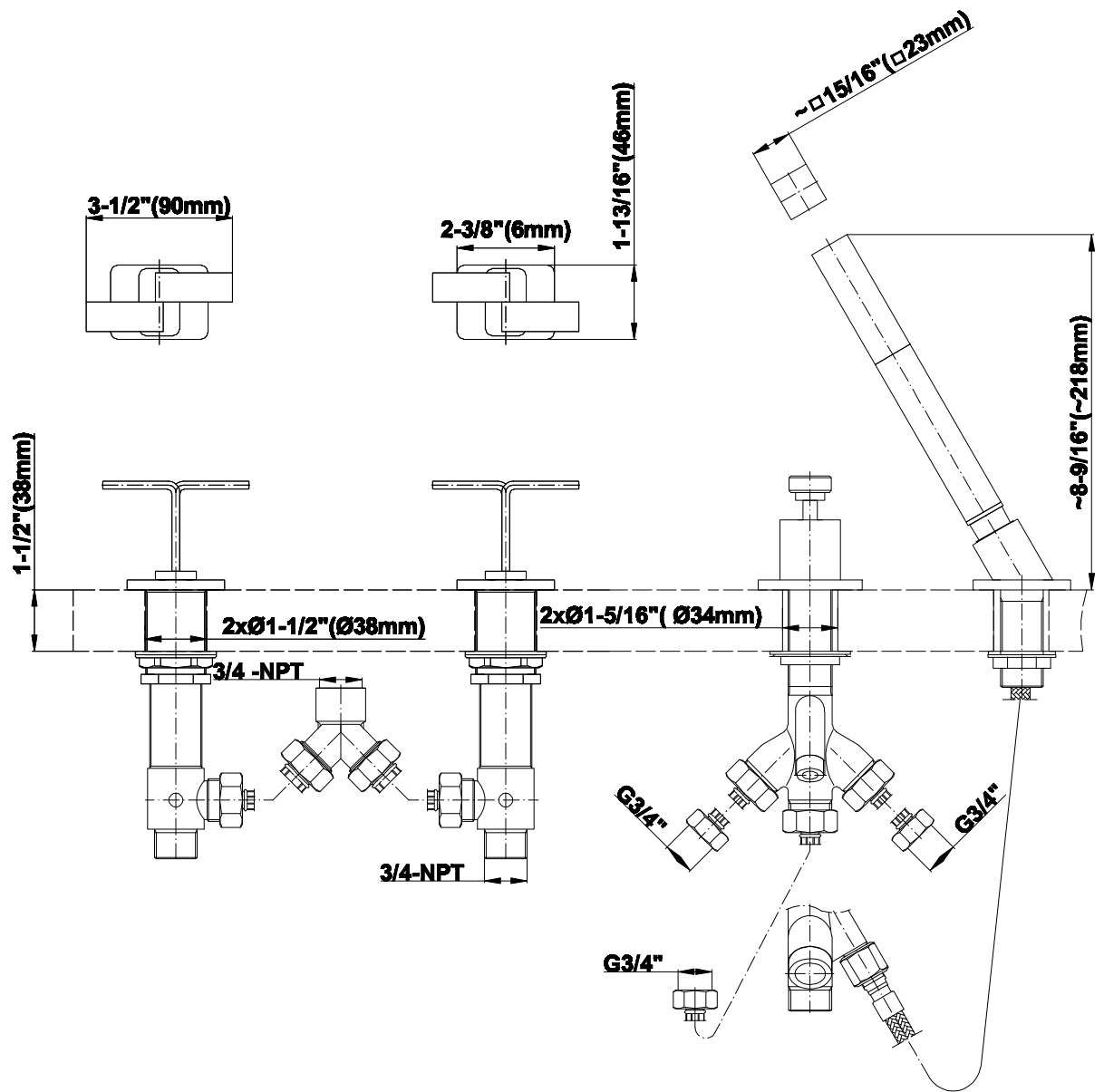
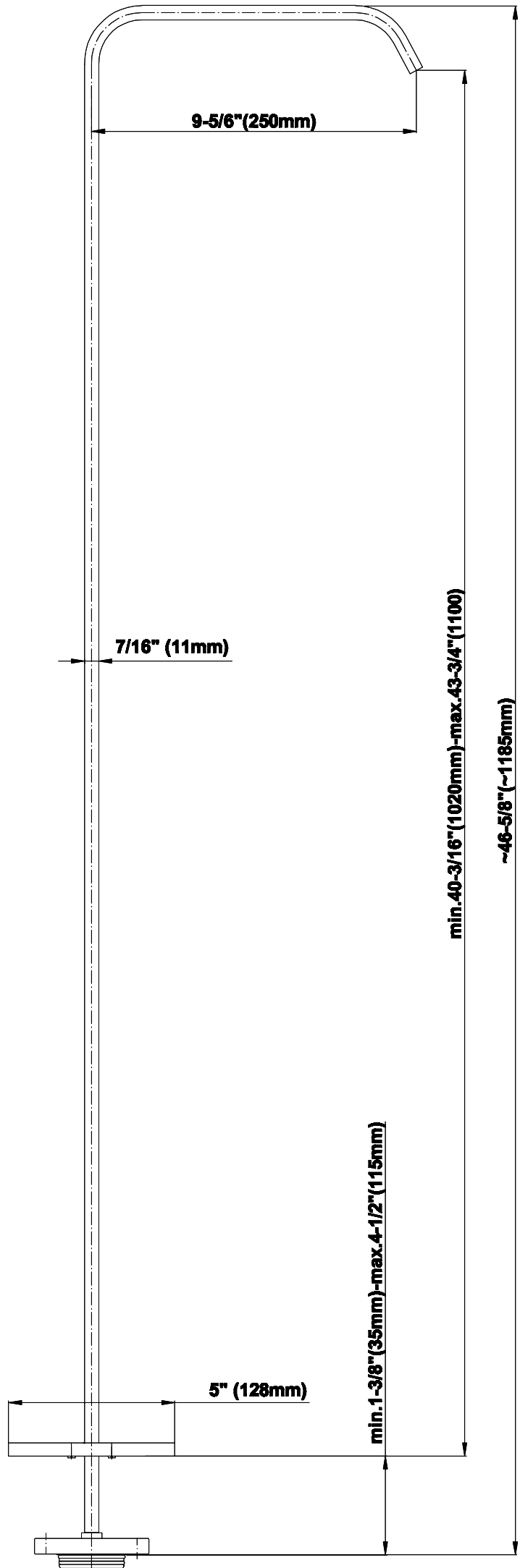


Information

- Floor-mount installation
- Aerated Flow Rate ~7 gpm @45 psi
- 9-13/16" spout reach
- 33"-36-1/8" ~spout height
- Optional in-line pressure balancing valve
- ADA

G-2354

IMMERSION Series



BATHROOM
Spout Connection Rough
G-1050

GRAFF®



Finishes



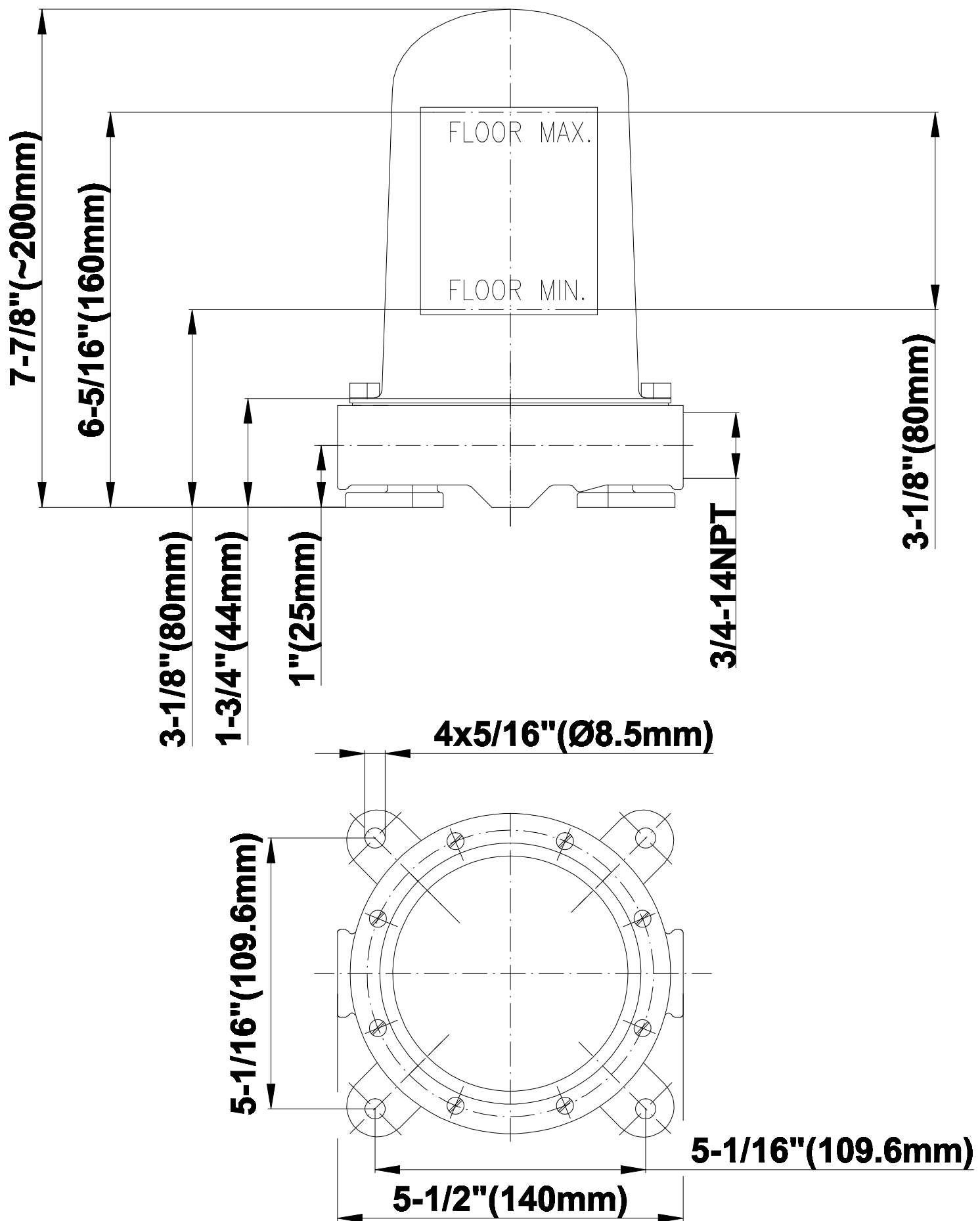
Polished
Chrome



Steelnox®
(Satin Nickel)

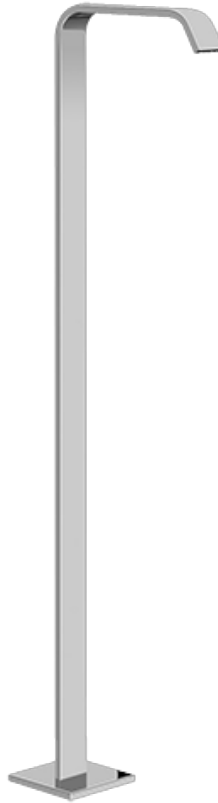
G-1050

Rough



BATHROOM
Immersion Floor-Mounted Tub
Filler - Spout Only
G-2353-T

GRAFF®



Information

- Floor-mount installation
- Aerated Flow Rate ~7 gpm @45 psi
- 9-13/16" spout reach
- 33"-36-1/8" ~spout height
- Optional in-line pressure balancing valve

Finishes



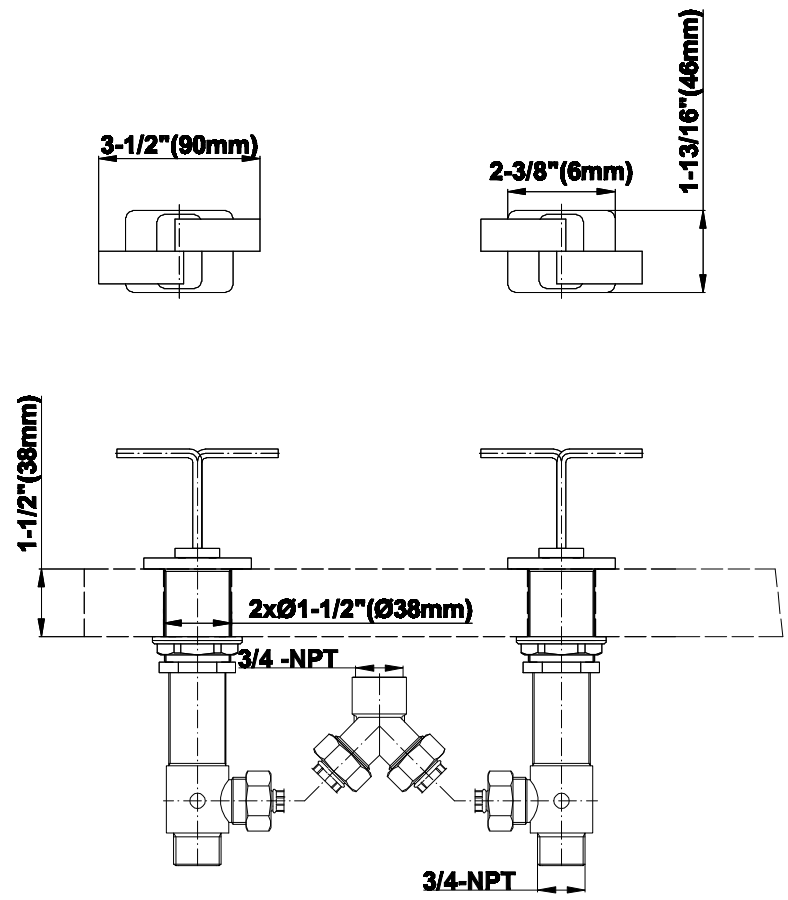
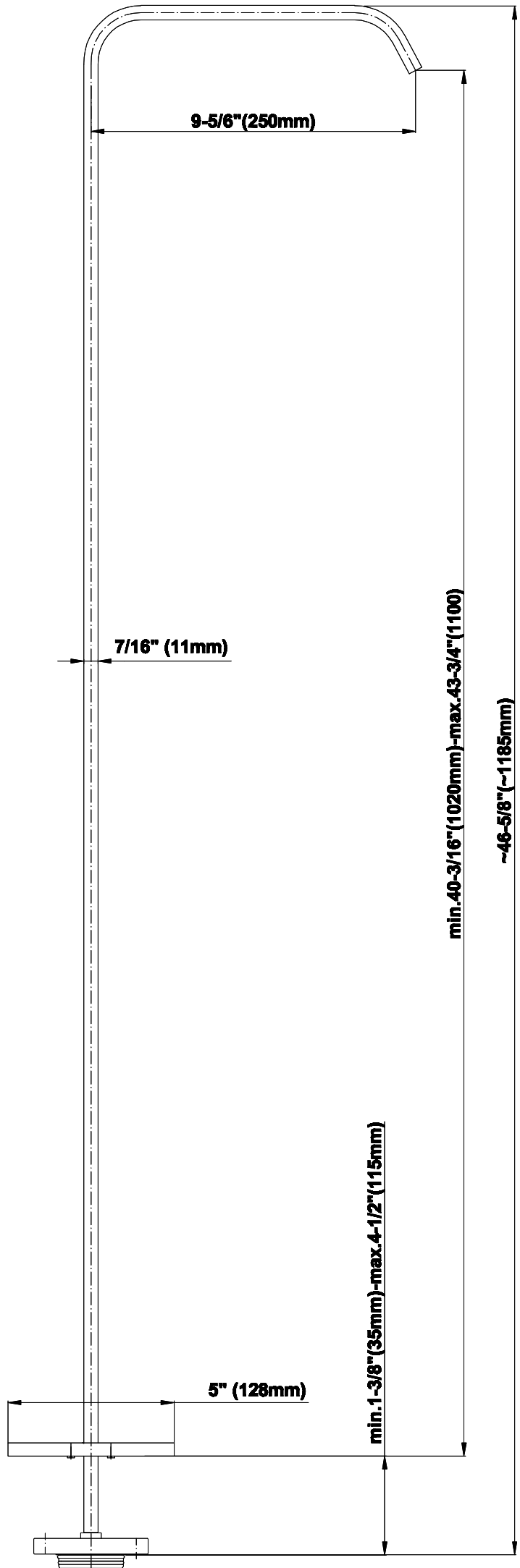
Polished
Chrome



Steelnox®
(Satin Nickel)

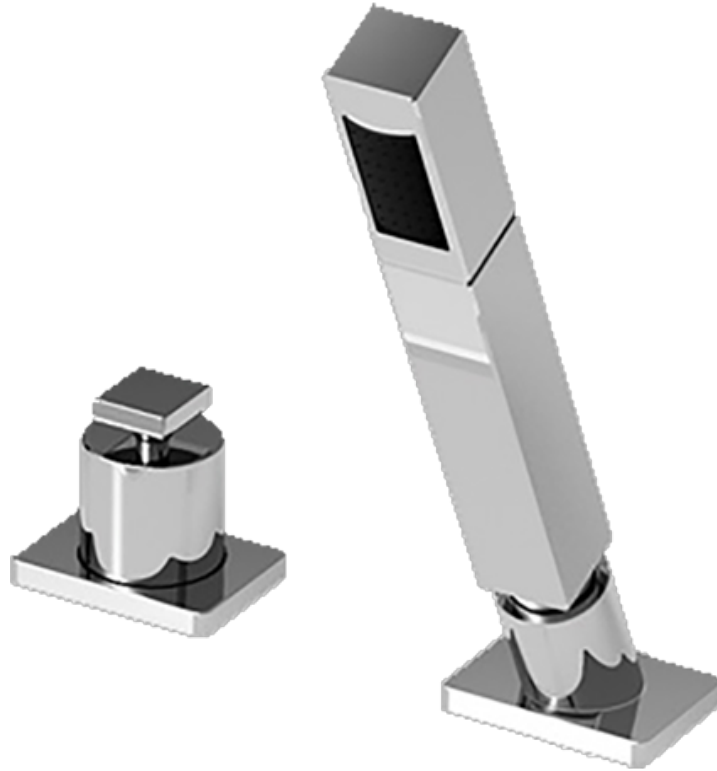
G-2353

IMMERSION Series



BATHROOM
Immersion Deck-Mounted
Handshower & Diverter Set
G-2355

GRAFF®



Information

- 1-11/32" hole cutout (x2)

Finishes



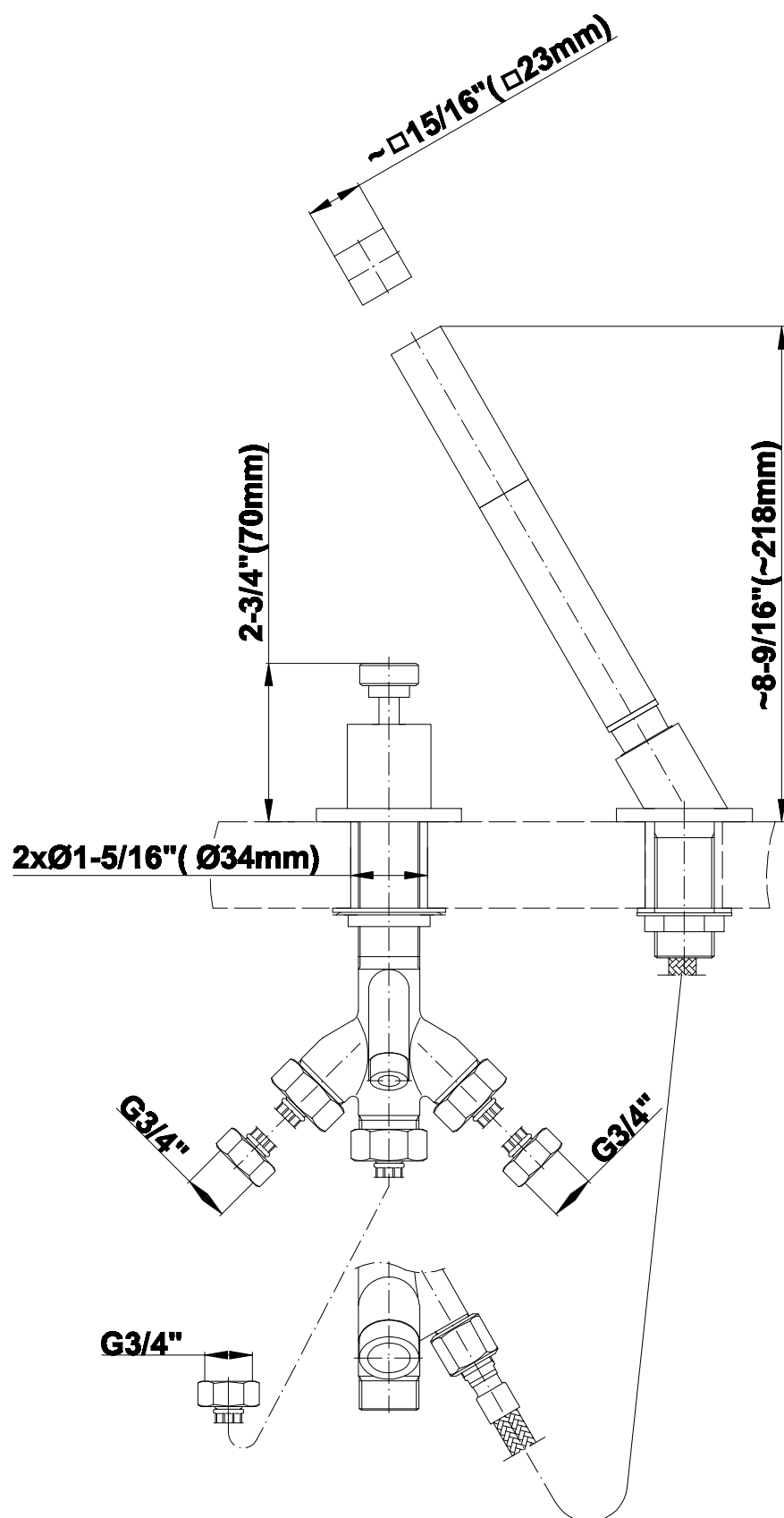
Polished
Chrome



Steelnox®
(Satin Nickel)

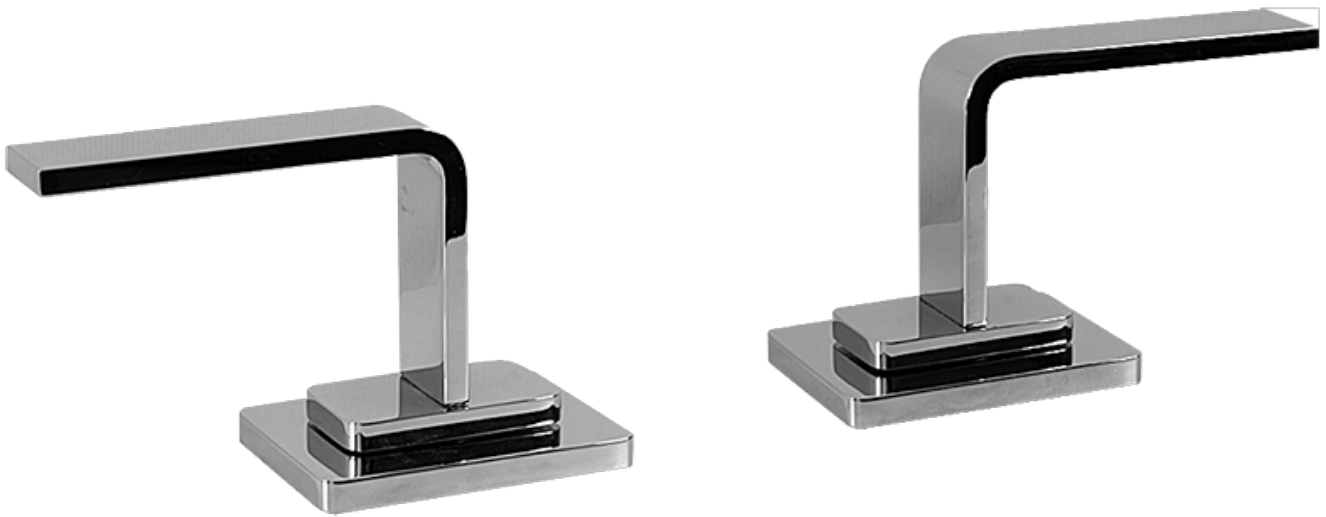
G-2355

IMMERSION Series



BATHROOM
Immersion Tub Handle Set - Deck-
Mounted
LM40B-BS

GRAFF®



Information

- ADA

Finishes



Polished
Chrome



Steelnix®
(Satin Nickel)

LM40-BS

IMMERSION Series

