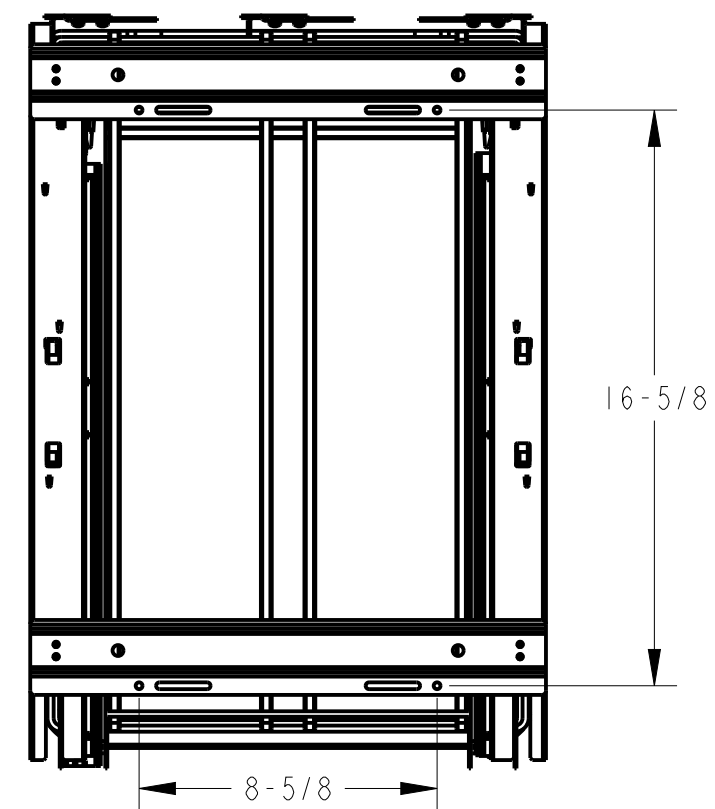
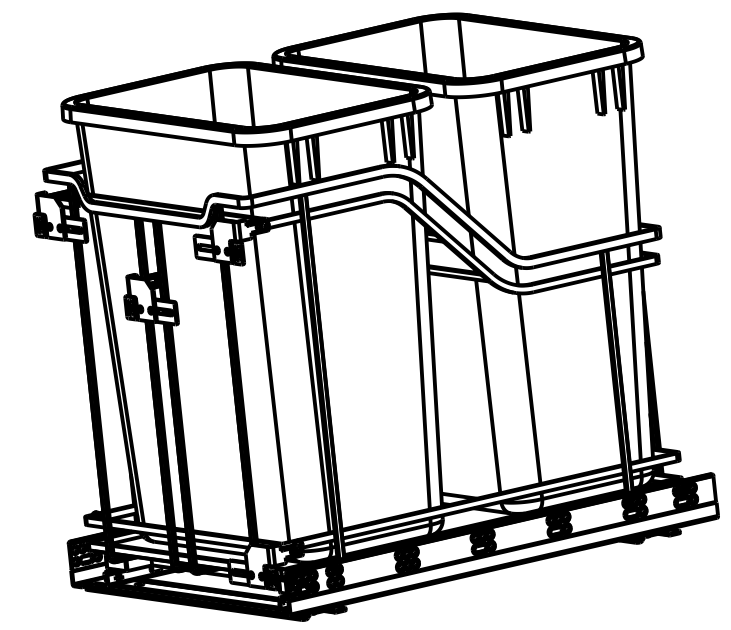
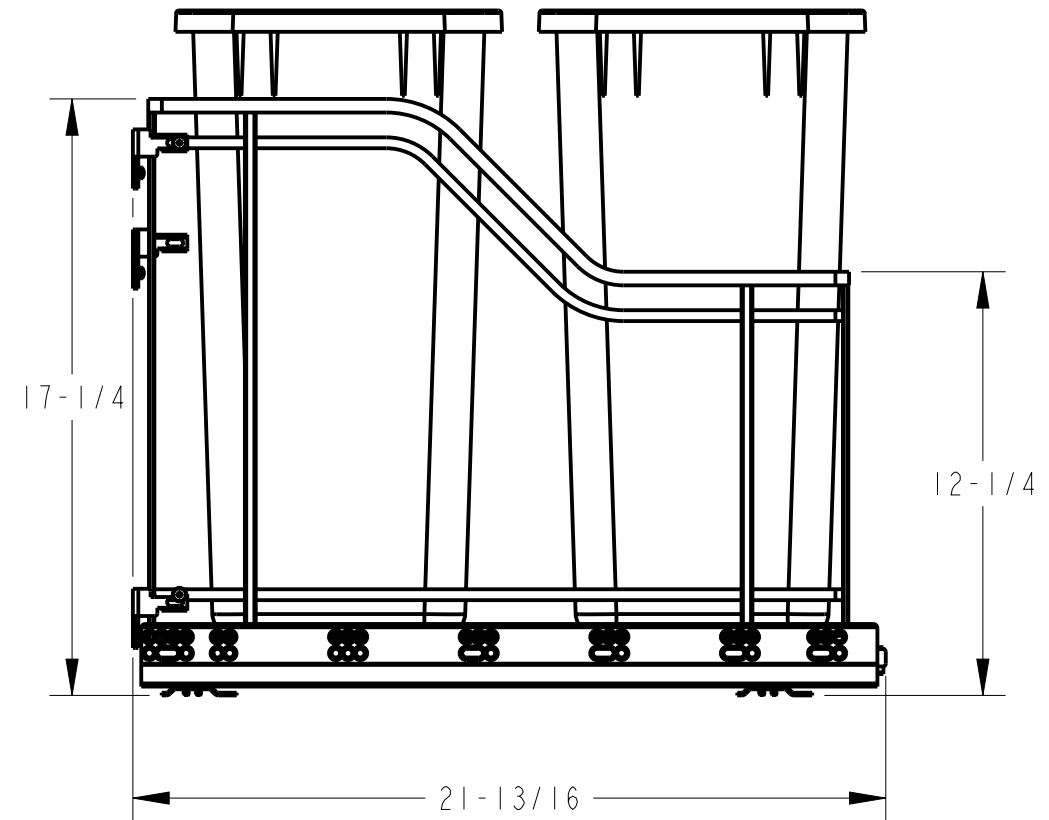
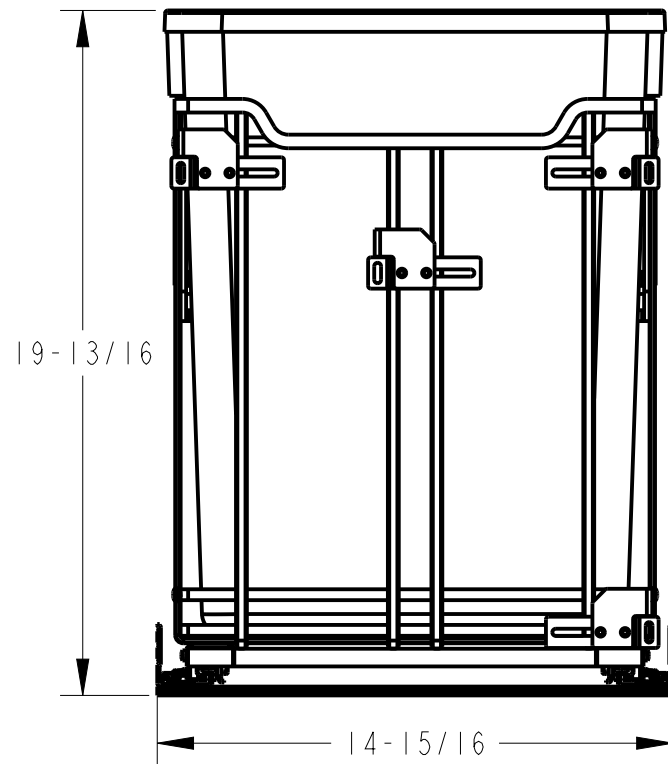


8 7 6 5 4 3 2 1

F
E
D
C
B
A



HR ITEM NUMBER	DESCRIPTION
SWS-MBMD35GPC	STORAGE WITH STYLE DOUBLE TRASHCAN POLISHED CHROME WITH GRAY CANS
SWS-MBMD35GBN	STORAGE WITH STYLE DOUBLE TRASHCAN TITANIUM WITH GRAY CANS

THIRD ANGLE PROJECTION				
MATERIAL	FINISH			
N/A	SEE TABLE			
DRAWN BY	DATE			
J.GOMEZ	25JAN18	DESCRIPTION		
DESIGNED BY	DATE	STORAGE WITH STYLE DOUBLE TRASHCAN WITH GRAY CANS		
J.GOMEZ	22SEP17	DRAWING NUMBER	REV	
APPROVED BY	DATE	SWS-MBMD35G	A	
G.DAVIS	20FEB18	SIZE	SCALE	SHEET
		A3	0.180	1 / 1

DOCUMENT STATUS Released

HARDWARE RESOURCES RESERVES THE RIGHT TO CHANGE SPECIFICATIONS WITHOUT NOTICE. IN CASE OF A DISCREPANCY, ACTUAL PART GEOMETRY SUPERSEDES THIS DOCUMENT.

THE INFORMATION CONTAINED WITHIN THIS DRAWING IS THE SOLE PROPERTY OF HARDWARE RESOURCES INC. ANY REPRODUCTION IN PART OR WHOLE WITHOUT WRITTEN PERMISSION OF HARDWARE RESOURCES INC. IS PROHIBITED.

8 7 6 5 4 3 2 1