

Lexington Sconce LED
LEX2

Project Name _____

Fixture Type _____

Quantity _____

Norwell | Lighting

I L E X

Custom Metalcraft



CITY LED Series

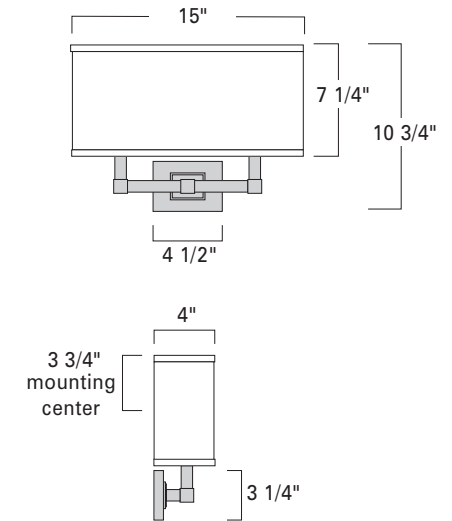


Lexington Double Sconce
LEX2-WM-CS-PN



Lexington Double Sconce
LEX2-WM-CS-AB

LEX2



The City Series ADA products are available in a variety of styles and finishes.



Product Name / Model / Dimensions	Mounting Options	Diffuser Options	Finish Options	Lamping Options						
Lexington Double Sconce / LEX2	Standard Wall Mount / WM	Standard Cream Linen Shade / CS	Standard Architectural Bronze / AB Polished Brass / PB Satin Brass / SB	Standard LED / LED 2592lm 3000K CCT, 80 CRI 36 Watts; 120v - 277v ELV dimmable (must specify 277v)						
<table border="1"> <thead> <tr> <th>Height</th> <th>Width</th> <th>Projection</th> </tr> </thead> <tbody> <tr> <td>10.75"</td> <td>15.00"</td> <td>4.00"</td> </tr> </tbody> </table>	Height	Width	Projection	10.75"	15.00"	4.00"		Junction box behind shade	Premium Brushed Nickel / BN Polished Nickel / PN	Optional Incandescent / IN (2) 60W max candelabra E12
Height	Width	Projection								
10.75"	15.00"	4.00"								

UL/ETL Listed

10_2020

DISCLAIMER:

Norwell Lighting and its companies, ILEX Architectural Lighting and Custom Metalcraft reserve the right to change specifications related to its product at anytime. USA Made indicates product is manufactured in East Taunton, Massachusetts facility. Phone: 508-823-1751