



## NICE COLLECTION DOUBLE SHOWER DOOR HANDLE 1707812

**PRODUCT NAME:** DOUBLE SHOWER  
DOOR HANDLE

**PRODUCT CODE:** 1707812

**MATERIAL:** All-brass construction

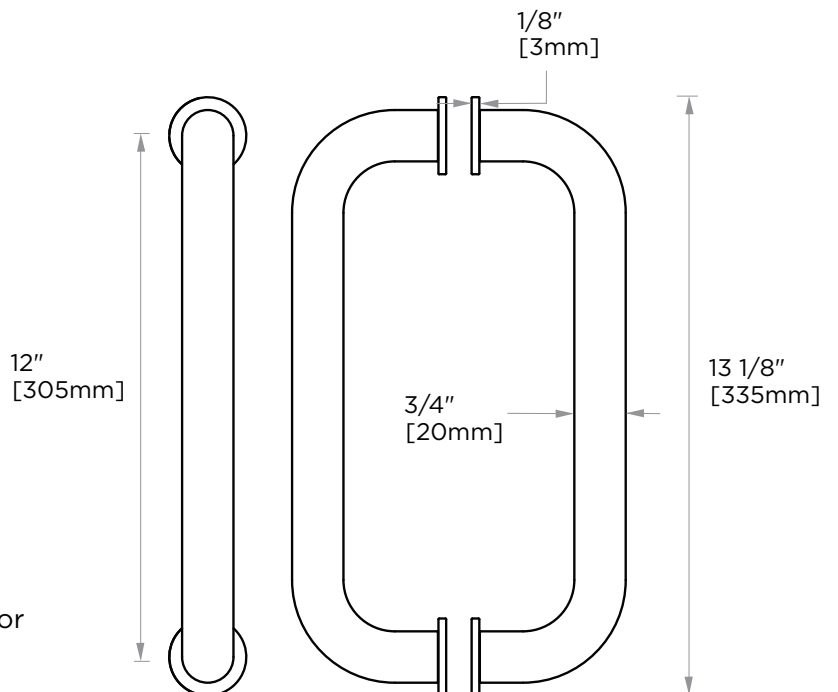
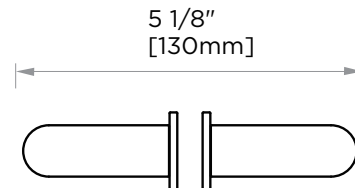
**KEY FEATURES:** Contemporary design.  
Soft, curved brass with  
thin rosettes

**STOCKED FINISHES:** ● Polished Chrome (99)

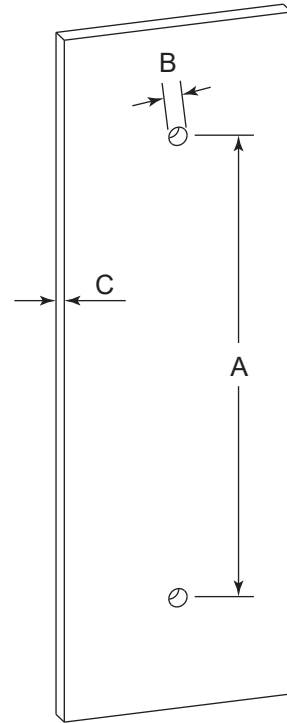
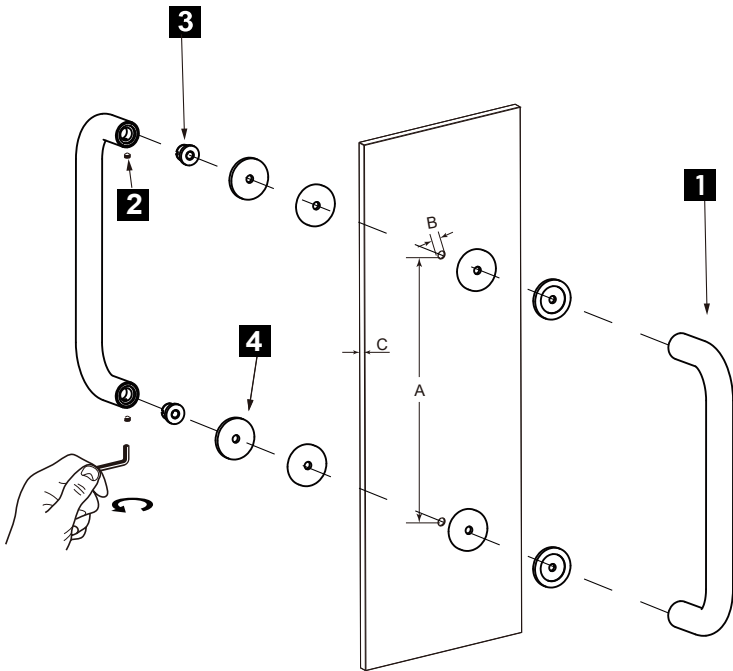
**SPECIAL FINISHES AVAILABLE:** 26 options available.  
Please see our website for  
full list samples

**WARRANTY:**

Lifetime Limited (Residential Use)  
One Year (Commercial Use)



NOTE: Dimensions and specifications are subject to change without notice.



## HANDLES INFO

Components Included		
①	Handle	X1
②	Set Screw M6	X2
③	Fixing Bracket	X2
④	Rubber Gasket	X4

Mounting Kits Included		
	X1	Allen Key

## GLASS INFO

Glass Hole C-C Distance		
A	8"/203mm	8" Shower Door Handle
	12"/305mm	12" Shower Door Handle
	18"/457mm	18" Shower Door Handle
	24"/610mm	24" Shower Door Handle
	36"/914mm	36" Shower Door Handle
B	1/2" (12mm)	Glass Hole Diameter
C	6-12mm	Glass Thickness

\* Can be used with extension kit for thicker doors

NOTE: Dimensions and specifications are subject to change without notice.