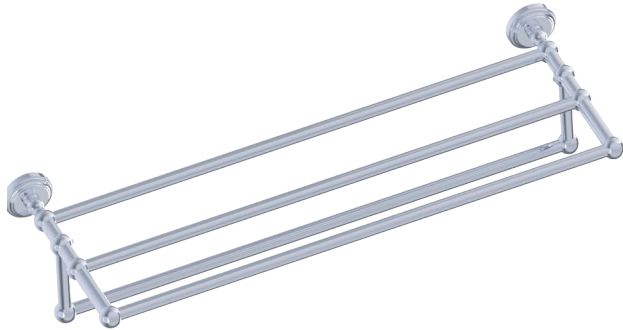


**FLORENCE
COLLECTION
DOUBLE TOWEL SHELF
322442**



PRODUCT NAME: DOUBLE TOWEL SHELF

PRODUCT CODE: 322442

MATERIAL: All-brass construction

KEY FEATURES: Traditional design.
Round and elegant style.

STOCKED FINISHES:

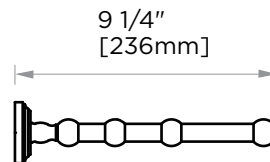
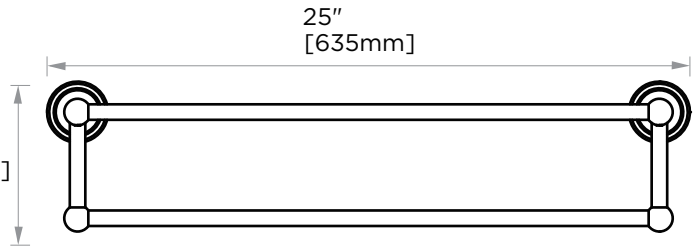
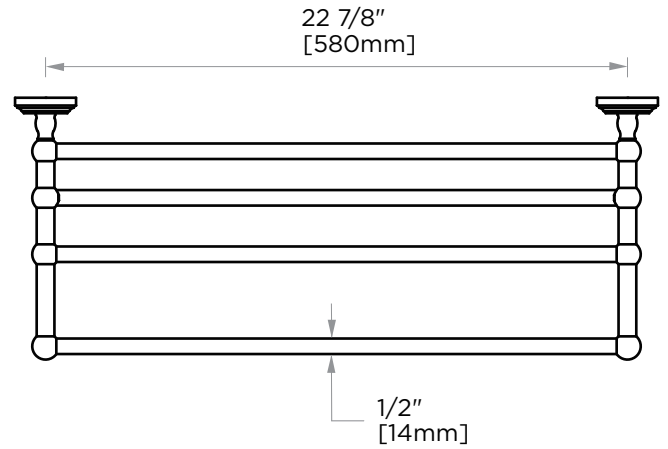
- Polished Chrome (99)
- Brushed Nickel (81)
- Polished Nickel (68)

5 3/8"
[135mm]

SPECIAL FINISHES AVAILABLE: 26 options available.
Please see our website for full list samples

WARRANTY:

Lifetime Limited (Residential Use)
One Year (Commercial Use)



NOTE: Dimensions and specifications are subject to change without notice.