

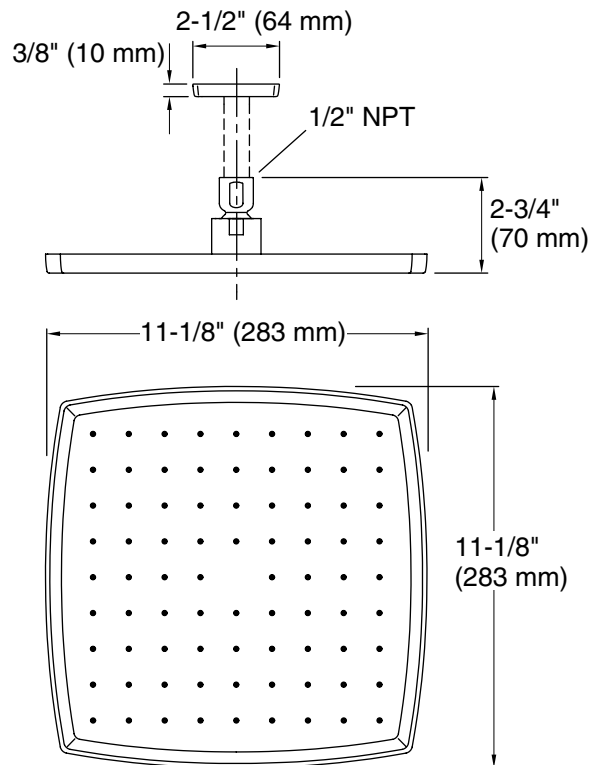
### FEATURES

- Solid brass construction for durability and reliability
- Single-function Rain showerhead
- Air-induced spray technology
- Optimized sprayface for maximum performance
- 2.5 g/min (9.5 l/min) flow rate
- 1/2" NPT connection
- Complements Kallista faucets and fixtures

### CODES/STANDARDS APPLICABLE

- Specified model meets or exceeds the following:
- ASME A112.18.1/CSA B125.1
  - Energy Policy Act of 1992

# P21514



SPECIFIED MODEL				
Model	Description	Finishes		
P21514-00	Soft Modern Raindome	<input type="checkbox"/> CP Polished Chrome	<input type="checkbox"/> AD Nickel Silver	<input type="checkbox"/> AG Brushed Nickel
		<input type="checkbox"/> LB Bronze	<input type="checkbox"/> GN Gunmetal	<input type="checkbox"/> W7 Black Nickel
Required Arm Options				
P21520-00	3" Ceiling-mount shower arm	<input type="checkbox"/> CP Polished Chrome	<input type="checkbox"/> AD Nickel Silver	<input type="checkbox"/> AG Brushed Nickel
		<input type="checkbox"/> LB Bronze	<input type="checkbox"/> GN Gunmetal	<input type="checkbox"/> W7 Black Nickel
P21521-00	6" Ceiling-mount shower arm	<input type="checkbox"/> CP Polished Chrome	<input type="checkbox"/> AD Nickel Silver	<input type="checkbox"/> AG Brushed Nickel
		<input type="checkbox"/> LB Bronze	<input type="checkbox"/> GN Gunmetal	<input type="checkbox"/> W7 Black Nickel
P21522-00	12" Ceiling-mount shower arm	<input type="checkbox"/> CP Polished Chrome	<input type="checkbox"/> AD Nickel Silver	<input type="checkbox"/> AG Brushed Nickel
		<input type="checkbox"/> LB Bronze	<input type="checkbox"/> GN Gunmetal	<input type="checkbox"/> W7 Black Nickel
P21523-00	Wall-mount shower arm	<input type="checkbox"/> CP Polished Chrome	<input type="checkbox"/> AD Nickel Silver	<input type="checkbox"/> AG Brushed Nickel
		<input type="checkbox"/> LB Bronze	<input type="checkbox"/> GN Gunmetal	<input type="checkbox"/> W7 Black Nickel

We reserve the right to make revisions without notice in the design of products or in packaging unless this right has specifically been waived at the time the order is accepted.