

## Features

- 36-inch minimum base cabinet width.
- Large/medium bowls.
- 9-inch depth.
- Three faucet holes with one accessory hole to the right.
- Includes installation hardware and bottom sink rack.
- SilentShield® sound-absorption technology offers quieter performance.

## Material

- Handcrafted from 18-gauge stainless steel.

## Installation

- Top-mount or under-mount.

## Recommended Products/Accessories

- K-6646 Left-Bowl Sink Rack
- K-6647 Right-Bowl Sink Rack
- K-6377 Sponge Caddy
- K-6378 Kitchen Brush Caddy
- K-6379 Kitchen Squeegee
- K-6382 Disinfecting Wipes Dispenser
- K-8618 Paper Towel Holder
- K-8619 Flexible Kitchen Mat
- K-8801 Sink Strainer
- K-8799 Sink Strainer
- K-8624 Dish Scraper

## Optional Products/Accessories

- K-6429 Utility Rack
- K-6432 Saddle Towel Bar
- K-6434 Saddle Utility Rack
- K-6667 Wood Cutting Board
- 1177161 Installation Clip Kit

## Included Components

Product consists of:

- 1130570 Hardware Kit, Self-Rimming
- K-6646 Left-Bowl Sink Rack

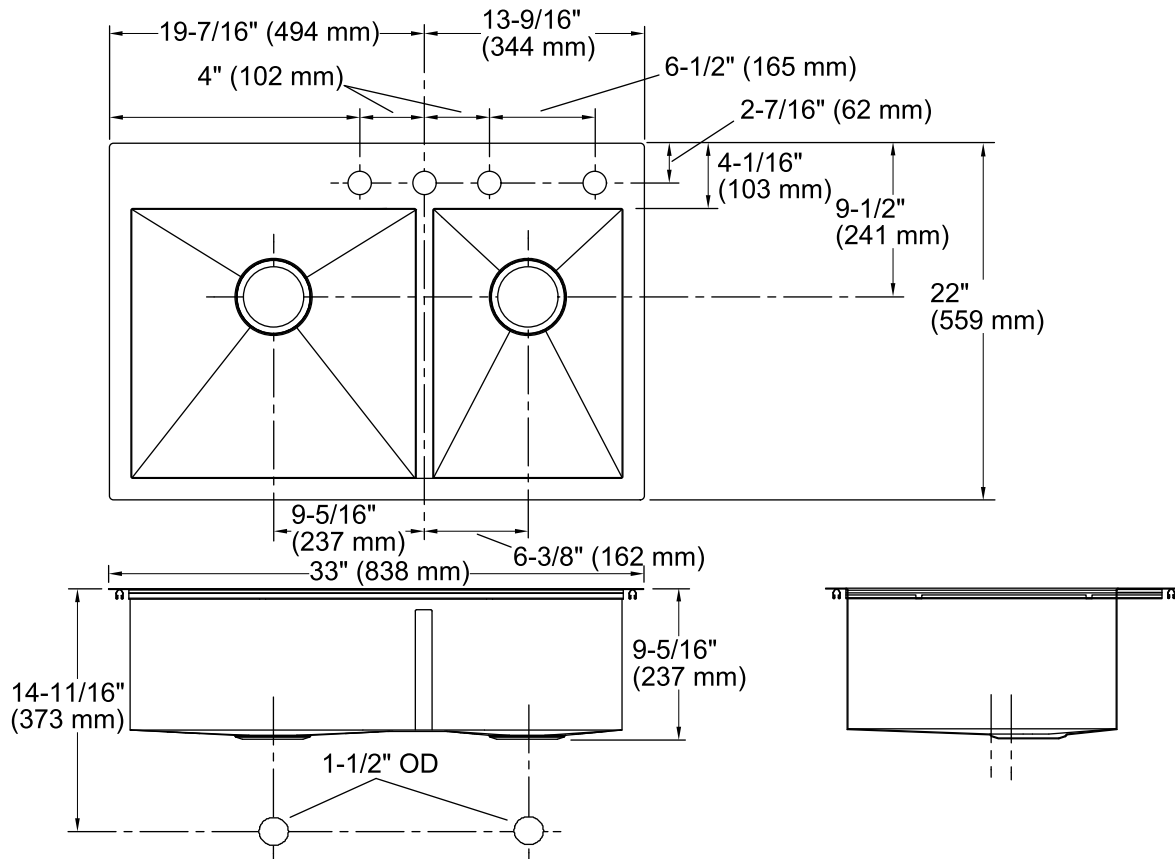


## Codes/Standards

ASME A112.19.3/CSA B45.4

## Lifetime Limited Warranty for KOHLER® Stainless Steel Sinks

See website for detailed warranty information.



### Technical Information

All product dimensions are nominal.

Bowl configuration:	Off-set Large/small
Installation:	Top-mount, Under-mount
Min. base cabinet width:	36" (914 mm)
Bowl area (Left):	Length: 17-1/2" (445 mm) Width: 16-9/16" (421 mm) Bowl depth: 9" (229 mm) Water depth: 9" (229 mm)
Bowl area (Right):	Length: 11-5/8" (295 mm) Width: 16-9/16" (421 mm) Bowl depth: 9" (229 mm) Water depth: 9" (229 mm)
Number of deck holes:	4
Faucet hole spacing:	4" (102 mm)
Faucet hole(s):	1-7/16" (37 mm)
Drain hole:	3-7/8" (98 mm)
Template:	1130823-7, required, included

### Notes

Install this product according to the installation instructions.

Allow 3/4" (19 mm) clearance beyond the back of the bowl for the wood cutting board (optional accessory).