

# INSTALLATION INSTRUCTION

## 188 – LED Wall Sconce

WS-18818



MODERN FORMS  
A WAC LIGHTING COMPANY

### WARNING

IMPORTANT: NEVER attempt any work without shutting off the electricity.

- Read all instructions before installing.
- System is intended for installation by a qualified electrician in accordance with the National Electrical Code and local regulations.
- Go to the main fuse box, or circuit breaker. Place the main power switch in the "OFF" position and unscrew the fuse(s) or switch "OFF" the circuit breaker switch(es) that control the power to the fixture or room that you are working on.
- Place the wall switch in the "OFF" position.

### CAUTION

- All parts must be used as indicated in these instructions. Do not substitute any parts, leave parts out, or use any parts that are worn out or broken. Failure to follow this instruction could invalidate the ETL/CETL listing of this fixture.  
CAUTION When handling the fixture, do not apply pressure to the LEDs. Hold the fixture by the base only.

### AVERTISSEMENT

IMPORTANT : Coupez l'électricité avant TOUTE manipulation.

- Lisez toutes les instructions avant d'installer.
- Système est destiné à être installé par un électricien qualifié en conformité avec le code national de l'électricité et les règlements locaux.
- Accédez au panneau central de disjoncteurs ou de fusibles de votre demeure et placez l'interrupteur principal en position d'arrêt (« OFF »).
- Placez l'interrupteur mural en position d'arrêt (« OFF »).

### MISE EN GARDE

- Toutes les pièces doivent être utilisées tel qu'il est indiqué dans ces instructions. Ne remplacez pas les pièces, n'en laissez pas de côté et ne les utilisez pas si elles sont usées ou brisées. Le non-respect de ces instructions peut annuler l'homologation ETL/CETL du luminaire.  
MISE EN GARDE Ors de la manipulation de l'appareil, ne pas appliquer de pression à la LED, tenir l'appareil par la seule base.

### ADVERTENCIA

IMPORTANTE: NUNCA intente hacer trabajos sin desconectar el suministro eléctrico.

- Lea y comprenda todas las instrucciones e ilustraciones por completo antes de proceder con el ensamblaje e instalación de esta lámpara.
- Sistema está diseñado para ser instalado por un electricista calificado, de acuerdo con el código eléctrico nacional y las normas locales.
- Diríjase a la caja de fusibles o a la caja del interruptor de circuito principal en su hogar. Coloque el interruptor de alimentación principal en la posición "OFF" (APAGADO).
- Coloque el interruptor de la pared en la posición "OFF" (APAGADO).

### PRECAUCIÓN

- Todas las piezas deben usarse como lo indican estas instrucciones. No reemplace las piezas, no omita piezas durante la instalación ni utilice piezas gastadas o rotas. El incumplimiento de esta indicación podría invalidar la calificación ETL/CETL esta lámpara.  
PRECAUCIÓN Al manipular el aparato, no aplique presión a los LED, mantenga el aparato en la base sólo.

### HARDWARE

A



Wire Connector  
Qty: 3pcs+1 Extra  
7EAC112201

B



Junction Box Screw  
Qty: 4pcs+2 Extra  
7MPF0415C2  
#8-32x9/16  
SS

C



Mounting Screw  
Qty: 1 Extra  
4MPF0412S2BB1(BB)  
5/32" - 32x1/2  
Burnished Brass (BB)

D



Wire Connector  
Qty: 1 Extra  
7EAC140901

E



Conversion Plate  
Qty: 1 PC  
4MBC201111BB2(BB)

F



Mounting Ring  
Qty: 1pc  
7MBC101501

G



Allen Wrench  
Qty: 1pc  
7MPE155003

H



Allen Screw  
Qty: 1 Extra  
7MPF0304K1  
1/8"-40x3/16  
Nickel Plating

modernforms.com  
Phone (800) 526.2588  
Fax (800) 526.2585

Headquarters/Eastern Distribution Center  
44 Harbor Park Drive  
Port Washington, NY 11050

Central Distribution Center  
1600 Distribution Ct  
Lithia Springs, GA 30122

Western Distribution Center  
1750 Archibald Avenue  
Ontario, CA 91760

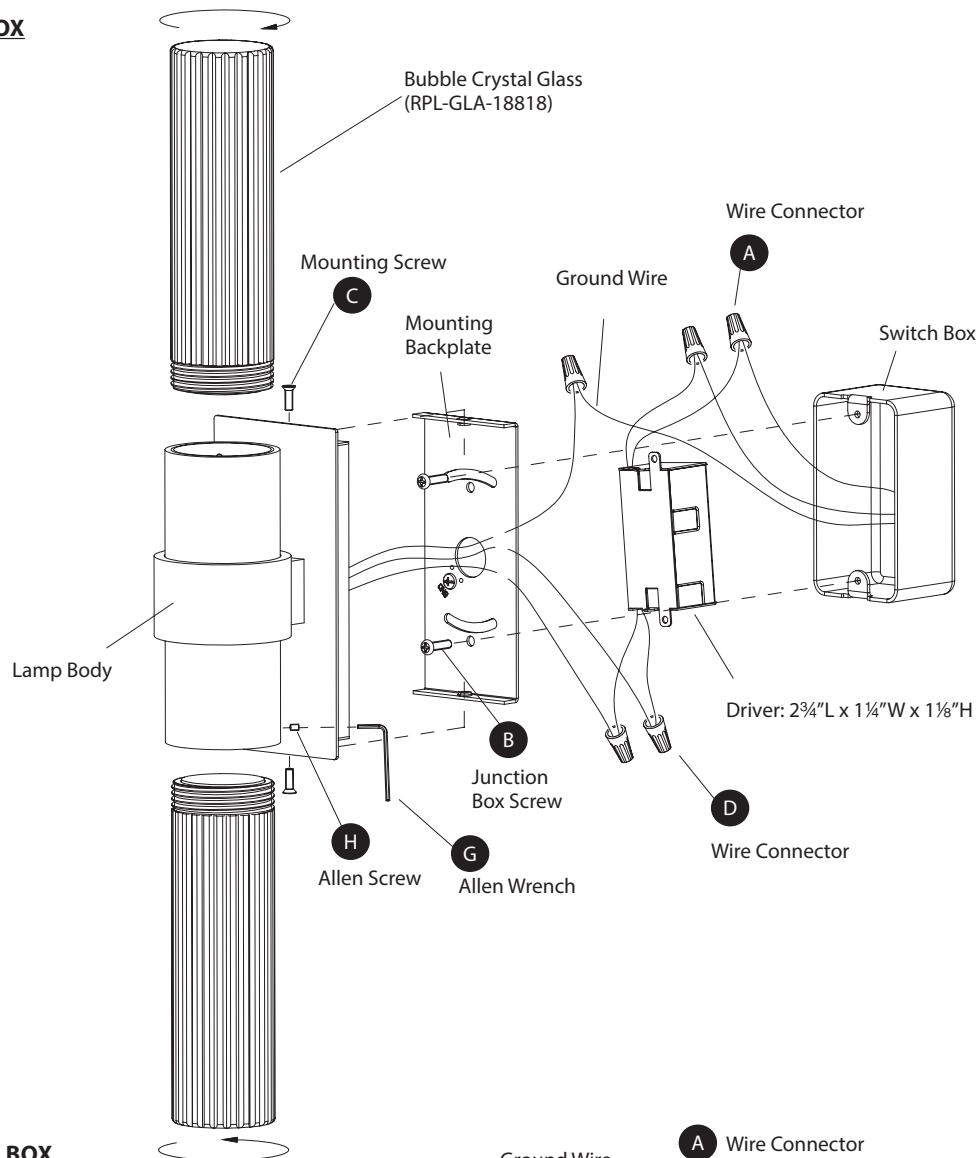


INSTALLATION INSTRUCTION  
**188 – LED Wall Sconce**  
 WS-18818

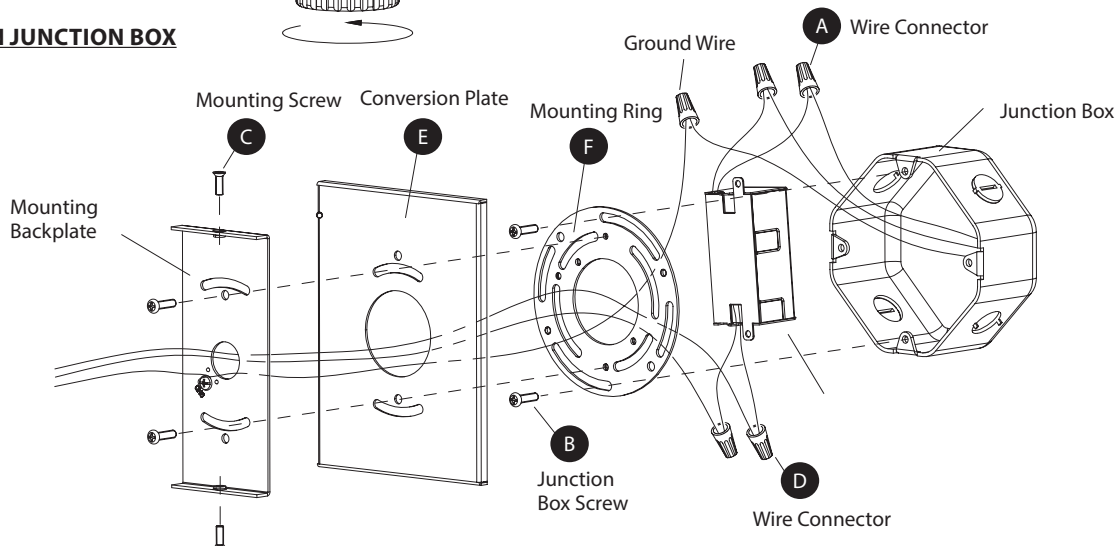


**MODERN FORMS**  
 A WAC LIGHTING COMPANY

**FIG.1 MOUNT ON SWITCH BOX**



**FIG.1 MOUNT ON JUNCTION BOX**



modernforms.com  
 Phone (800) 526.2588  
 Fax (800) 526.2585

Headquarters/Eastern Distribution Center  
 44 Harbor Park Drive  
 Port Washington, NY 11050

Central Distribution Center  
 1600 Distribution Ct  
 Lithia Springs, GA 30122

Western Distribution Center  
 1750 Archibald Avenue  
 Ontario, CA 91760



# INSTALLATION INSTRUCTION

## 188 – LED Wall Sconce

WS-18818



MODERN FORMS  
A WAC LIGHTING COMPANY

### PREPARATION

1. Shut off the power at the circuit breaker and remove existing fixture, including the crossbar.
2. Carefully unpack your new fixture and lay out all the parts on a clear area. Be careful not to lose any small parts necessary for installation.

### INSTALLATION

#### MOUNT ON 2" X 4" SWITCH BOX (FIG.1)

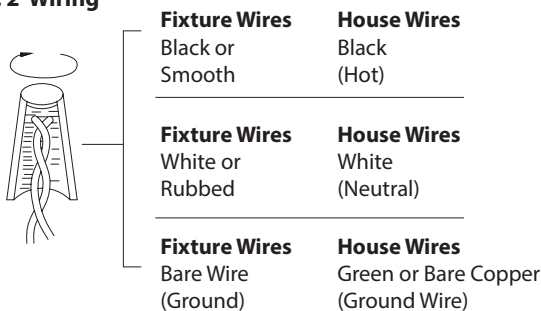
3. Remove the mounting screw (C) from the fixture, and then take down the mounting back plate.
4. Connect the Driver's input wires to switch box wires as shown in **Fig. 3**, making sure that all wire connectors (A) are secured. If your outlet box has a green or bare copper ground wire, connect the fixture's ground wire to it. Otherwise, connect the fixture's ground wire directly to the back plate using the green screw provided.  
**\* Requires Driver to be recessed in the switch box.**
5. Secure the mounting back plate to the switch box using junction box screws (B). The side of the mounting back plate marked "GND" must face out.
6. Connect the Driver's output wire to the fixture wire as Shown in **Fig.3**. After wires are connected, tuck them carefully inside the switch box.
7. Secure the fixture to the mounting back plate using the mounting screw (C).
8. Thread the bubble crystal glass into the fixture. Secure it using Allen screw (H) and Allen wrench (G) provided.

OR

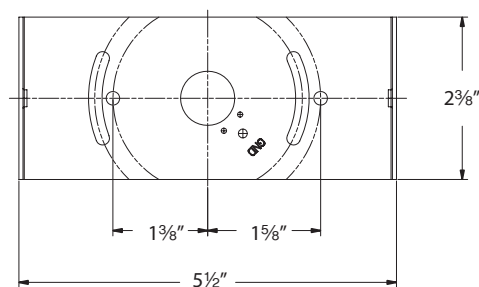
#### MOUNT ON 4" X 4" JUNCTION BOX (FIG. 2)

3. Remove the mounting screw (C) from the fixture, and then take down the mounting back plate.
4. Connect the Drivers' input wires to junction box wires as shown in **Fig. 3**, making sure that all wire connectors (A) are secured. If your outlet box has a green and bare copper ground wire, connect the fixture's ground wire to it. Otherwise, connect the fixture' ground wire directly to back plate using the green screw provided.  
**\*Requires Driver to be recessed within the junction box.**
5. Secure the mounting ring (F) to the junction box using junction box screws (B). The side of the mounting ring (F) marked "GND" must face out.
6. Secure the mounting back plate and conversion plate (E) to the mounting ring (F) with the junction box screws (B).
7. Connect the Driver's output wire to the fixture wire as Shown in **Fig.3**. After wires are connected, tuck them carefully inside the junction box.
8. Secure the fixture to the mounting back plate using the mounting screw (C).
9. Thread the bubble crystal glass into the fixture. Secure it using Allen screw (H) and Allen wrench (G) provided.

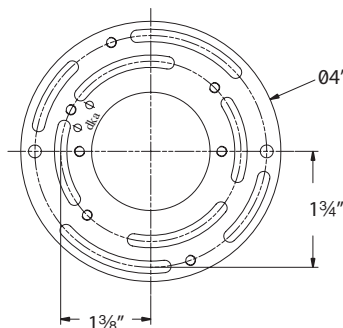
Fig. 2 Wiring



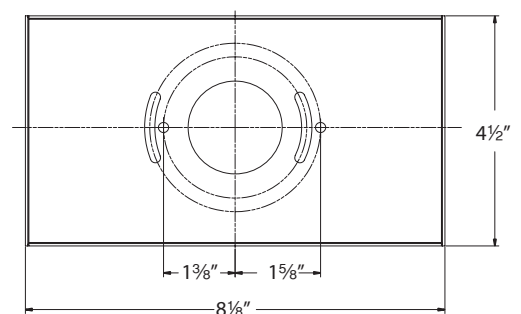
MOUNTING BACK PLATE



MOUNTING RING DIMENSIONS



CONVERSION PLATE DIMENSIONS



modernforms.com  
Phone (800) 526.2588  
Fax (800) 526.2585

Headquarters/Eastern Distribution Center  
44 Harbor Park Drive  
Port Washington, NY 11050

Central Distribution Center  
1600 Distribution Ct  
Lithia Springs, GA 30122

Western Distribution Center  
1750 Archibald Avenue  
Ontario, CA 91760

