

# 16101

## INSTALLATION INSTRUCTIONS

Please read carefully and save these instructions as you may need them a later date.

### CAUTION

**WARNING:** Risk of Fire. Consult a qualified electrician to ensure correct branch circuit conductor.

Turn off the main power at the circuit breaker before installing the fixture in order to prevent possible shock.

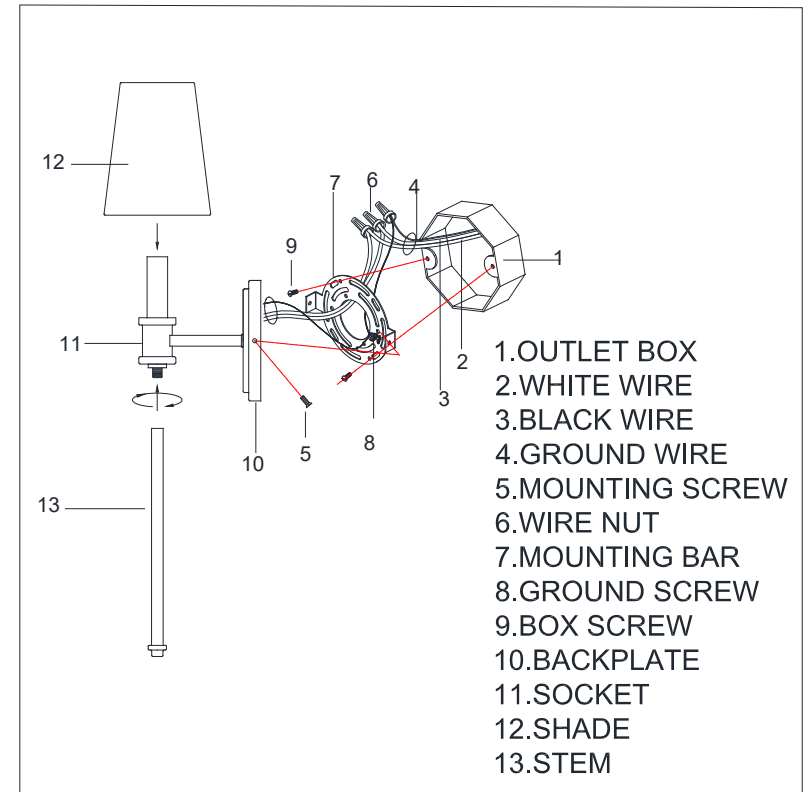
### GENERAL

All electrical connections must be in accordance with local and National Electrical Code (N.E.C.) standards. If you are unfamiliar with proper electrical wiring connections obtain the services of a qualified electrician.

Remove the fixture and the mounting package from the box and make sure that no parts are missing by referencing the illustration.

### ASSEMBLY AND INSTALLATION

1. Attach the mounting bar (7) with box screw (9) to the outlet box (1).
2. Pull out the outlet wire and ground wire from the outlet box, make wire connections with wire nut (6) as follow:
  - Connect the smooth-coated wire (w marking) or Black wire from fixture to the Black wire (3) from power source.
  - Connect the ribbed-coated wire (w/o marking) or White wire from fixture to the White wire (2) from power source.
  - Attach the **fixture** ground wire to mounting bar (7) with the ground screw (8). Connect it to the **house** ground wire (4) with the wire nut (6).
3. Align the back plate (10) to the outlet box (1), then secure it to the mounting bar (7) with the mounting screws (5).
4. Set shade (12) onto candle sleeve of the socket (11).
5. Screw the stem (13) to the nipple of the bottom socket (11).
6. Install bulbs: (bulbs not included)  
(Don't exceed the maximum capacity recommended on the sockets).



INSTALLATION IS NOW COMPLETED