

ASSEMBLY&INSTALLATION

Please read carefully and save these instructions,as you may need them a later date.

CAUTION

Turn off the main power at the circuit breaker before installing the fixture, in order to prevent possible shock.

GENERAL

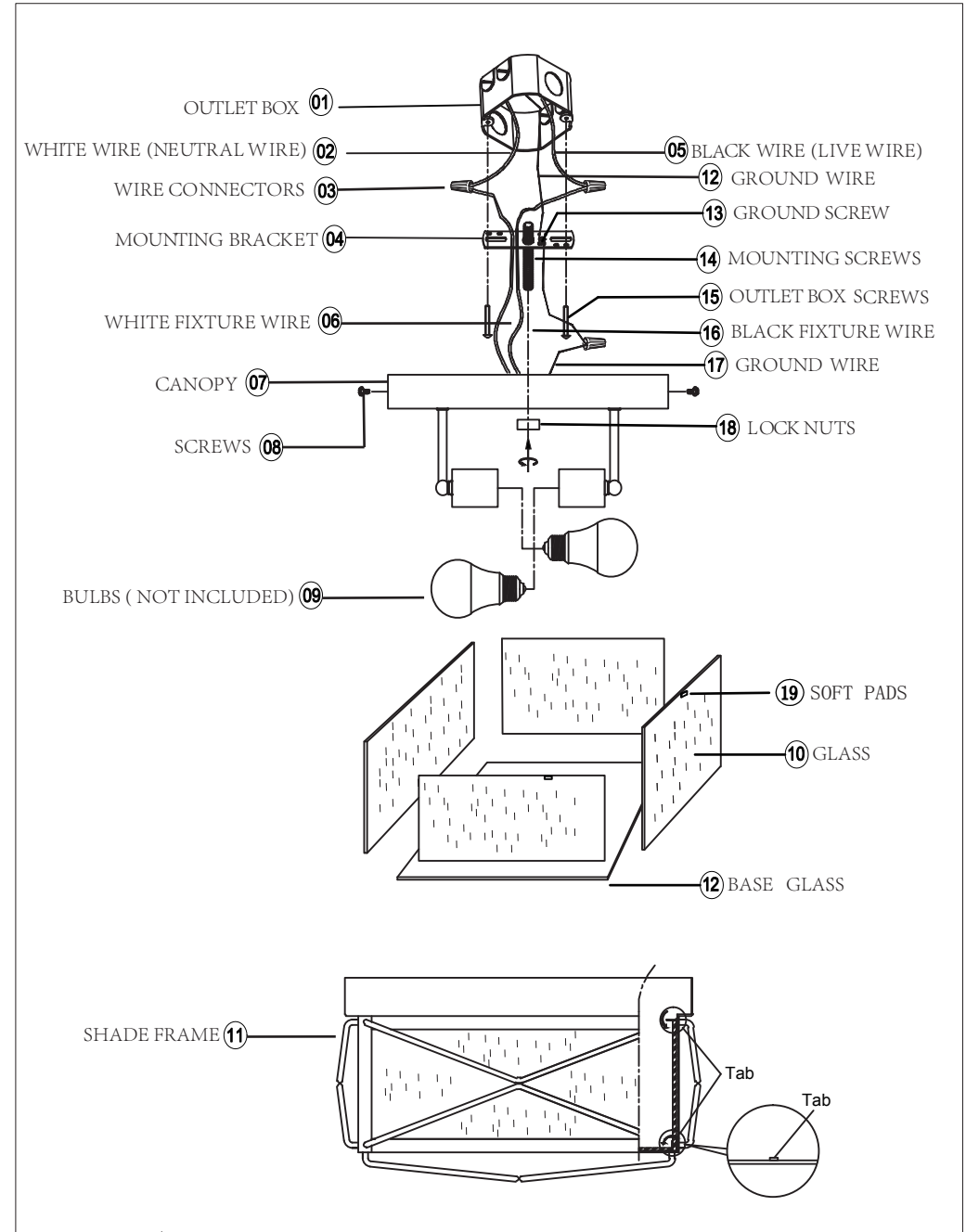
All electrical connections must be in accordance with local and National Electrical Code(N.E.C) standards. If you are unfamiliar with proper electrical wiring connections obtain the services of a qualified electrician.

Remove the fixture and the mounting package from the box and make sure that no parts are missing by referencing the illustrations on the installation instructions.

ASSEMBLY AND INSTALLATION

1. Carefully unpack the fixture, lay out all parts on a clean surface.
2. Mount the mounting bracket(4) to the outlet box (1 not included) by using two outlet box screws(15). Make sure the threads of the mounting screws(14) are facing out when the mounting bracket(4) is attached to the outlet box.
3. Tie the ground wire (17) from fixture and ground wire (12) from outlet box to the ground screw (13) on the mounting bracket (4). Connect the white fixture wire (6) from the fixture to the white wire (neutral wire 2) from the supply circuit. Connect the black fixture wire (16) from the fixture to the black wire (livewire 5) from the supply circuit.
4. Cover the connections by using provided wire connectors (3). Position wires back inside the outlet box.
5. Place the canopy (7) over the outlet box (1). Align the mounting screws (14) so that they protrude through the appropriate holes on the canopy (7). Screw the lock nuts (18) onto the mounting screws (14).
6. Install the two bulbs (not included 9) make sure they do not exceed the maximum wattage specified on the fixture's wattage rating label.
7. Fix the base glass (12) to the shade frame(11) and Secure it by pressing the tabs onto the bottom edge, then fix the four pieces of glass(10) too. added the Soft pads(19) (include in the parts bag) under the tabs accordingly if anyone loose.
8. Cover the shade frame(11) to canopy(7) and secure it by screws(8).
9. Turn on the power.

INSTALLATION IS NOW COMPLETED



ITEM NO.: 42616