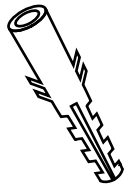


Following these mounting instructions with the hardware included will be more than sufficient to support wall mounted installation.

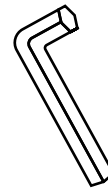
Included Installation Hardware



x2 screw

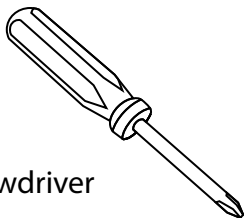


x2 wall anchor



x1 allen wrench

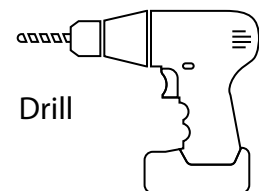
Tools You May Need



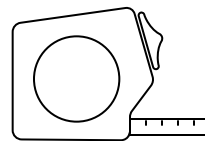
Screwdriver



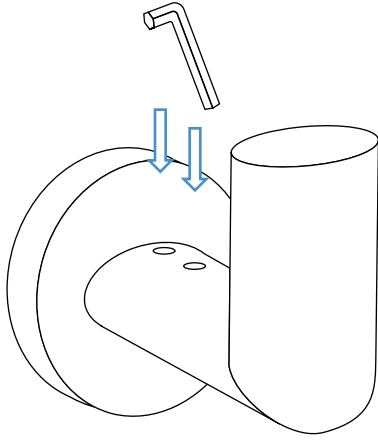
Level



Drill



Tape Measure

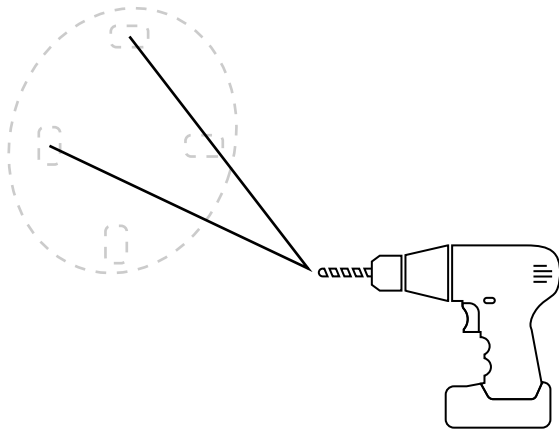
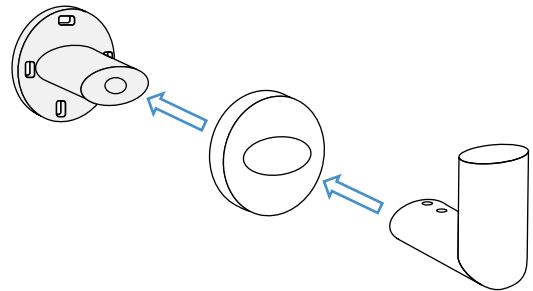


1. Disassemble

Put the included allen wrench into the two screws on the top of the body and turn clockwise to disassemble the base from the mounting piece.

2. Remove Bracket

Pull mounting bracket from toilet paper holder.

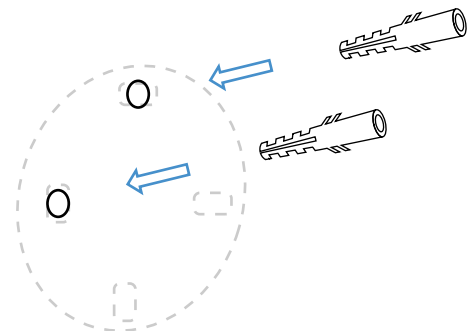


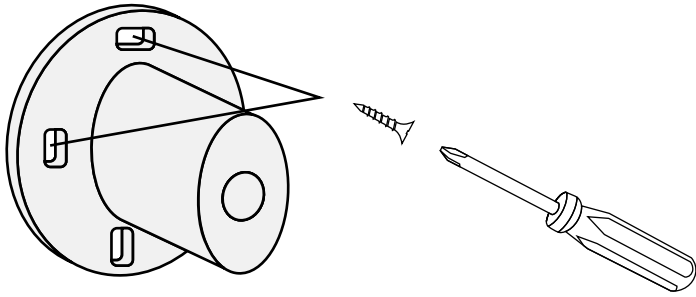
3. Drill Anchor Holes

Identify installation location. Mark mounting bracket on wall and drill holes the size of the anchors.

4. Install Anchors

Tap anchors into predrilled holes.



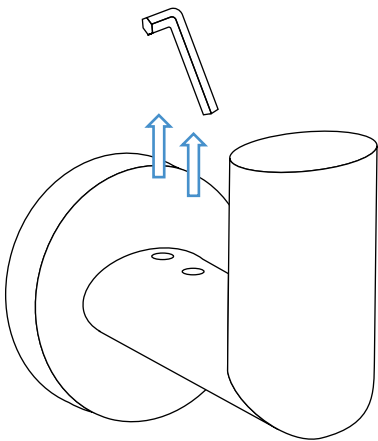
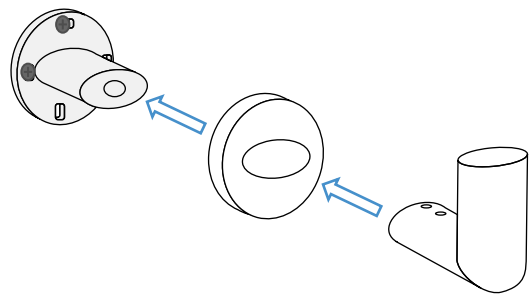


5. Mount Bracket

Mount bracket with screws.

6. Mount Bathroom Hook

Install bathroom hook over mounting bracket.



7. Tighten Screws

Tighten two (2) screws with allen wrench included by turning counterclockwise.