

# INSTALLATION INSTRUCTIONS **NEWPORT BRASS**

*Flawless Beauty. From Faucet to Finish.™*

## EXPOSED TUB FILLER WITH HAND SHOWER

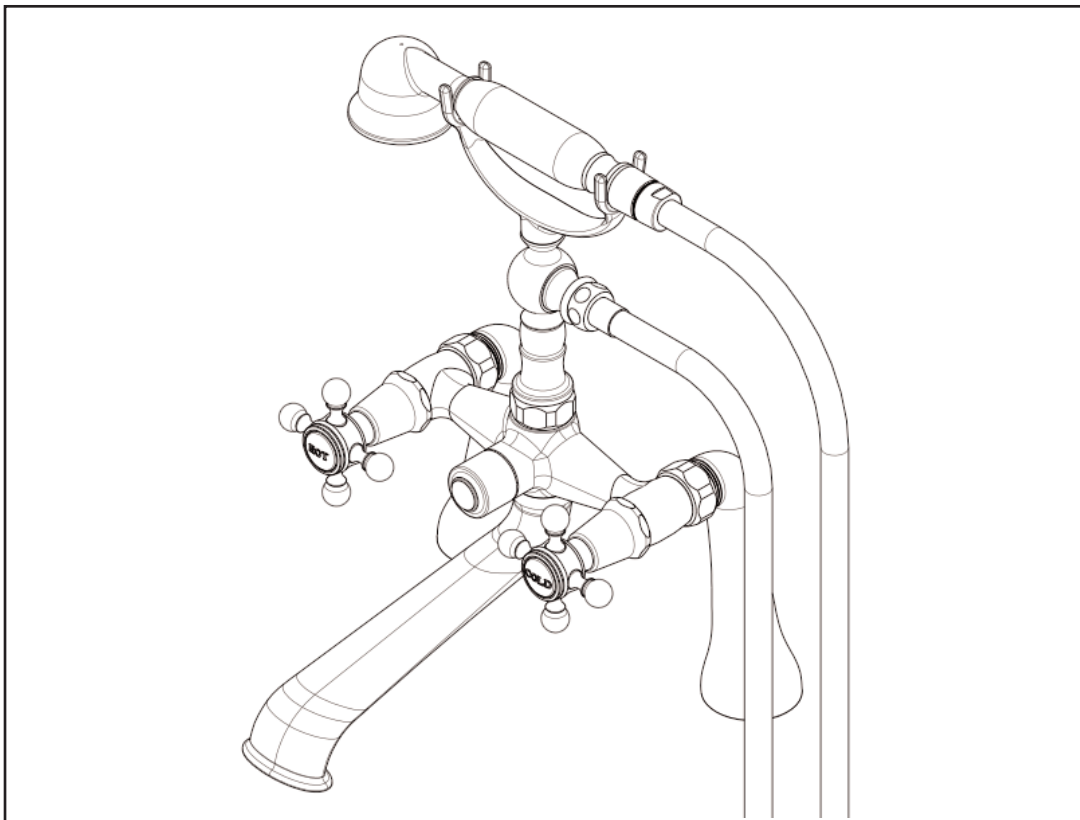
Model No:

933, 1013, 850-4273, 2400-4272, 2400-4273

910-4273, 920-4272, 1020-4273, 1600-4272

1620-4273, 1760-4272, 1770-4273

1200-4273, 2590-4273

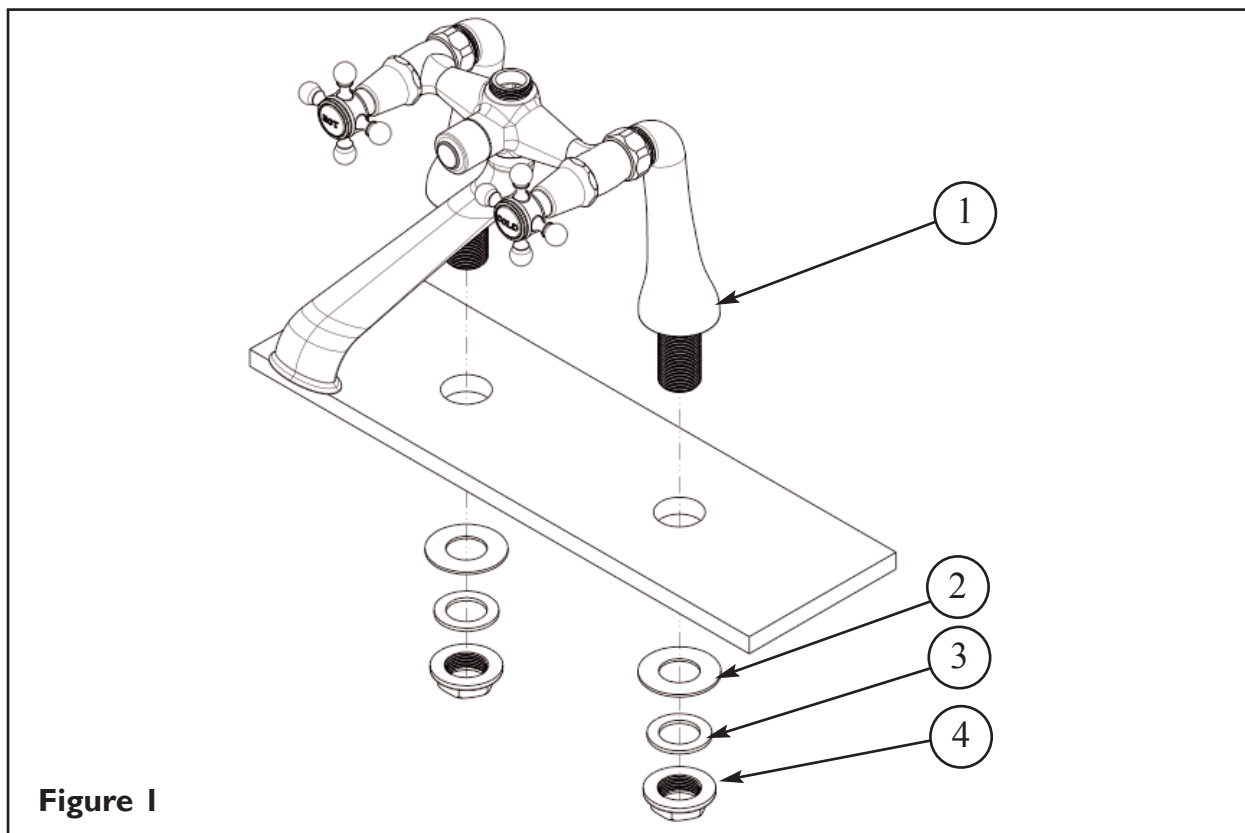


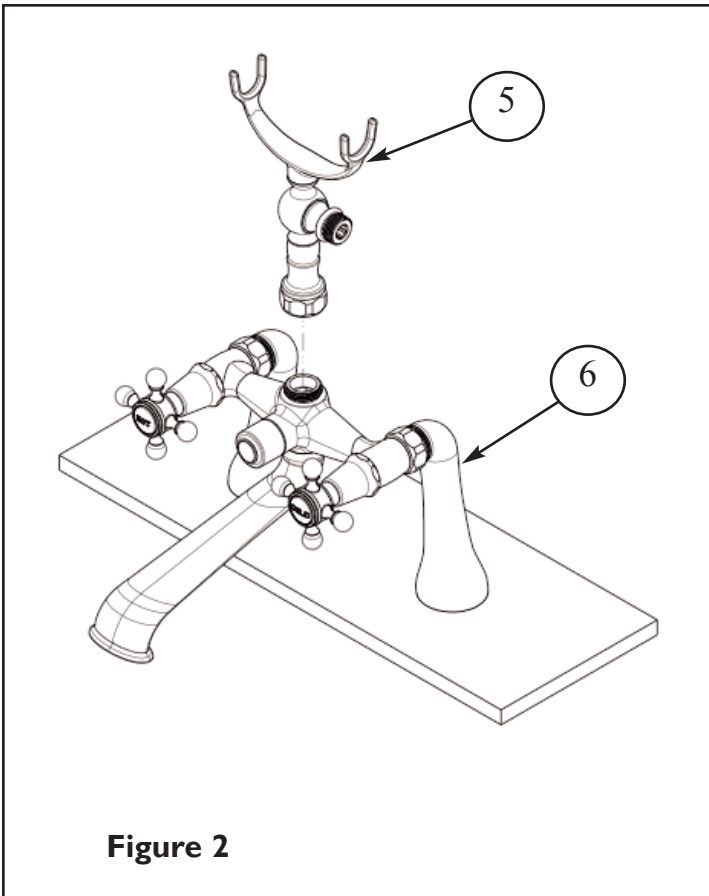
**Congratulations on the purchase  
of your Newport Brass product,  
an excellent choice, that will give you  
years of quality service and enhance  
the look and style of your home.**

## Recommended Installation by a Professional Plumbing Contractor

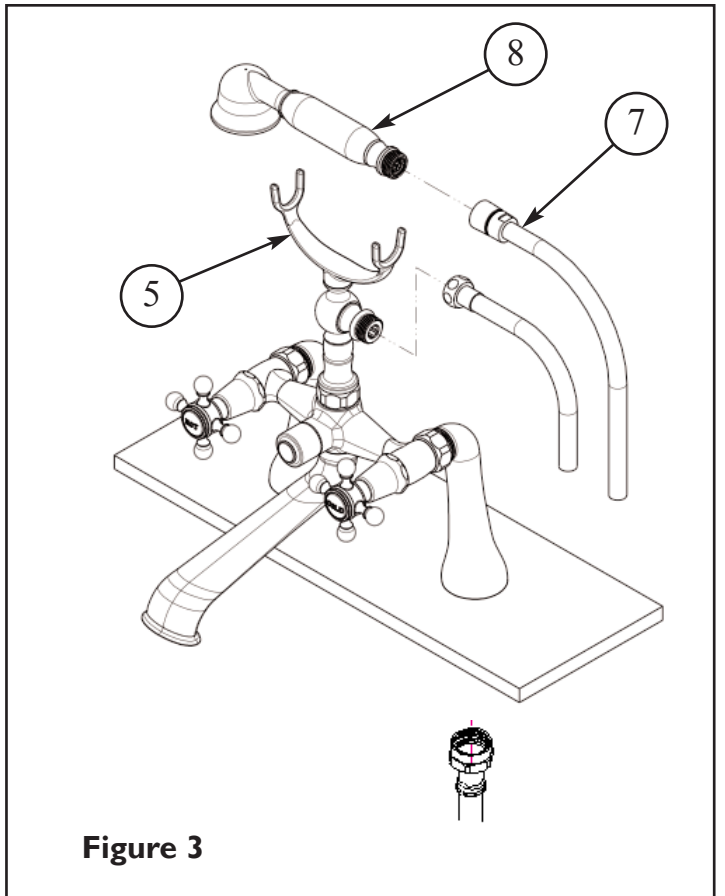
Note: The use of petroleum base plumbers putty on our products will nullify the warranty. We recommend the use of clear silicone sealing materials. Recommended deck hole 2 @  $\text{\textcircled{O}}1.25$  and 7 1/4" apart - center to center.

1. Place threaded SHANKS (1) through deck holes and fasten with steel WASHER (2), rubber WASHER (3) and mounting NUT (4). See Figure 1.
2. Thread hand shower RISER (5) to faucet BODY (6). See Figure 2.
3. Attach the flex HOSE (7) to RISER (5) and hand SHOWER (8). (Hand-tighten and secure each connection with a wrench 1/4 turn.) See Figure 3.
4. Connect hot/cold water supply to appropriate 3/4" NPSM valve BODY (6), utilize adapter I1068 if 3/4 NPT is required. Supply risers not included. See Figure 3. For exposed installation see Figure 4.
5. Check for leaks and make any final adjustments required.



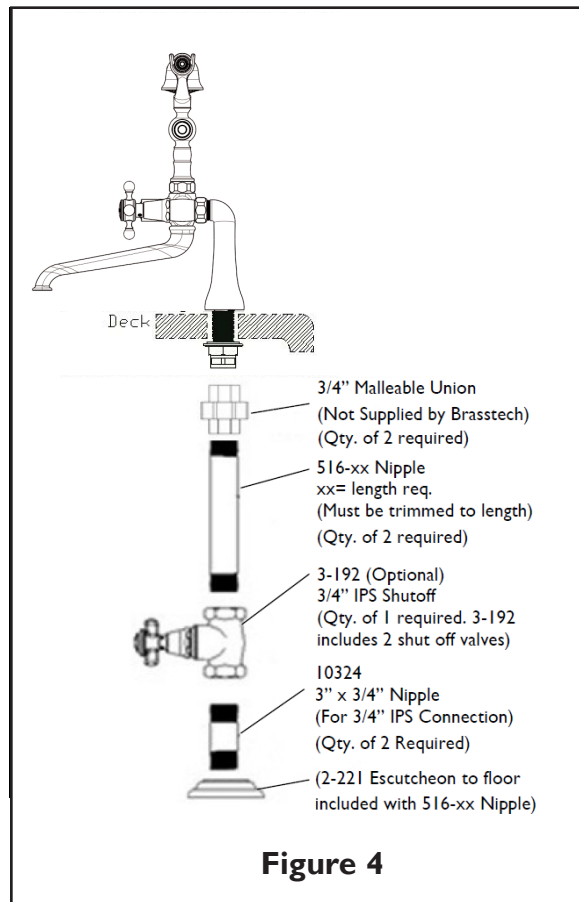


**Figure 2**



**Figure 3**

**Exposed Installation**



**Figure 4**