

Installation Instructions

NLOS

Surf LED Regressed Edge-Lit Surface Mount

READ PRIOR TO ATTEMPTING INSTALLATION
ALWAYS TURN OFF MAIN POWER BEFORE INSTALLATION
INSTALLATION SHOULD BE CARRIED OUT BY YOUR LOCAL ELECTRICIAN

- ⚠ WARNING** - Risk of fire or electric shock. LED installation kit requires knowledge of luminaire electrical systems. If not qualified, do not attempt installation. Contact a qualified electrician.
- ⚠ WARNING** - Risk of fire or electric shock. Install this kit only in luminaires that have the construction features and dimensions shown in the photographs and / or drawings and where the input rating does not exceed the input rating of the luminaire.
- ⚠ WARNING** - To prevent wiring damage or abrasion, do not expose wiring to edges of sheet metal or other sharp objects.
- ⚠ WARNING** - This equipment is intended to be installed only by qualified personnel. The installation must be made in accordance with the current edition to the National Electric Code and all applicable state and local building codes. The final installation must be approved by the appropriate qualified electrical/building inspector(s). Improper installation may result in a fire or electrical hazard. Be sure the electrical power to the circuit has been disconnected before installing this electrical system.
- ⚠ AVERTISSEMENT** - Cet équipement est destiné à être installé uniquement par du personnel qualifié. L'installation doit être faite en conformité avec l'édition actuelle du Code national de l'électricité et toutes étatiques et locales codes du bâtiment applicables. L'installation finale doit être approuvée par l'inspecteur en électricité / bâtiment qualifié approprié(s). Une mauvaise installation peut entraîner un incendie ou un risque électrique. Soyez sûr de la puissance électrique vers le circuit a été coupée avant l'installation de ce système électrique.

INSTRUCTIONS:

- Loosen mounting screws from 4" octagonal junction box. Fully remove mounting screws from 4" round junction box. (Figure 1)
NOTE: Make sure 4" octagonal junction box has minimum 1-1/2" height
- Align and secure junction box mounting plate to j-box using mounting screws. (Ground junction box mounting lead must face roomside) Make sure junction box mounting plate is firmly against the ceiling. Do not overtighten mounting screws, this could distort the plate.
- Pull supply wires from junction box through hole in junction box mounting plate.
- While supporting the luminaire body, make electrical connections: black lead to hot (Black) supply lead; white lead to neutral (White) supply lead. Un-insulated wires are ground wires (ground junction box mounting lead and ground luminaire lead) must be connected to grounding terminal or ground (Green) supply lead inside junction box. Use WIRE NUTS to make connections (Figure 2)
- Carefully push connections back into junction box.
- Align two springs and driver or luminaire body to the opening in the junction box mounting plate. Snap luminaire body into plate.

⚠ CAUTION: Make certain that no wires are pinched between junction box mounting plate and luminaire body. To remove luminaire body from the ceiling, pull straight down.

DRIVER REPLACEMENT: Inseperable luminaire. Do not attempt to service. Replace entire fixture.

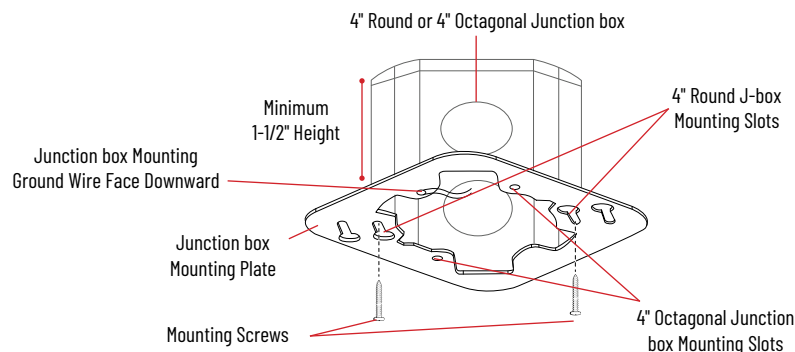


FIGURE 1

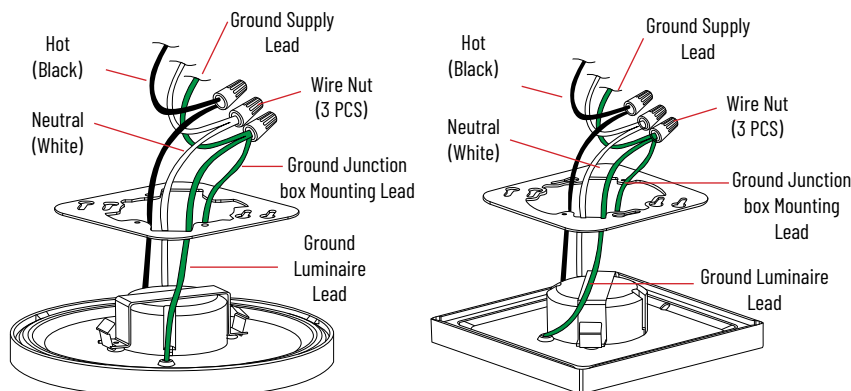


FIGURE 2
(Junction box Removed for Clarity)

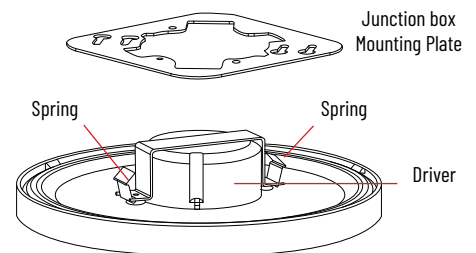


FIGURE 3
(Junction box and Wires Removed for Clarity)