

# NF-R246

## Universal New Construction Frame-In for LED luminaires

Type

Project

Catalog No.

Notes

### PRODUCT DESCRIPTION

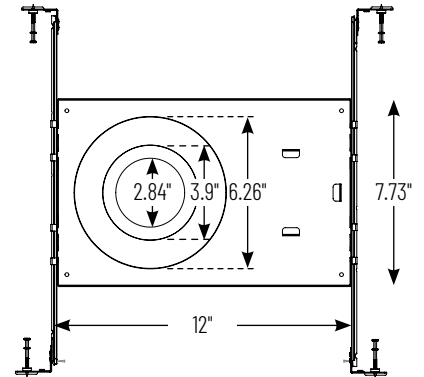
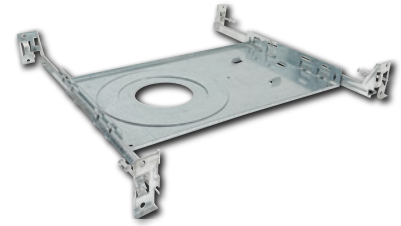
Universal new construction frame-in can be used to assist installing canless recessed downlights. Includes multiple cut outs for 2", 4" and 6" LED luminaires

**Mounting:** Bar hangers are adjustable from 13-3/4" to 26" with integral nails. Bar hangers are slotted for T-bar ceiling grids.

### COMPATIBLE LUMINAIRES

- [NM2-2RDC](#): 2" M2 LED Downlight
- [NM2-2RDCS](#): 2" M2 LED Lensed Downlight
- [NM2-2SDC](#): 2" M2 Square LED Downlight
- [NM2-2SB](#): 2" M2 Square LED Baffle Downlight
- [NM2-2RG](#): 2" M2 LED Adjustable Gimbal
- [NM2-2R270](#): 2" M2 LED Adjustable Elbow
- [NLTH-4ITW-MPW](#): 4" Theia LED Downlight (2700K/3000K/3500K/4000K/5000K)
- [NEFLINTW-R4233MPW](#): 4" E-Series FLIN LED Downlight (2700K/3000K/3500K)
- [NEFLINTW-R4345MPW](#): 4" E-Series FLIN LED Downlight (3000K/4000K/5000K)
- [NEFLINTW-R460233MPW](#): 4" E-Series FLIN LED Downlight (3000K/4000K/5000K)
- [NFLIN-R407](#): 4" FLIN Round LED Downlight, 800 lumens
- [NM4-RG](#): 4" M4 LED Adjustable Gimbal
- [NM4-R470](#): 4" M4 LED Adjustable Elbow
- [NLTH-6ITW-MPW](#): 6" Theia LED Downlight (2700K/3000K/3500K/4000K/5000K)
- [NEFLINTW-R6233MPW](#): 6" E-Series FLIN LED Downlight (2700K/3000K/3500K)
- [NEFLINTW-R6345MPW](#): 6" E-Series FLIN LED Downlight (3000K/4000K/5000K)
- [NFLIN-R610](#): 6" FLIN Round LED Downlight, 1450 lumens

### PRODUCT IMAGES AND DIMENSIONS



### Universal New Construction Frame-In for LED luminaires

### Compatible Luminaires

Accessory Type

Description

**NF-R246** = Universal New Construction Frame-In

- NM2-2RDC** = 2" M2 Downlight
- NM2-2RDCS** = 2" M2 Lensed Downlight
- NM2-2SDC** = 2" M2 Square Downlight
- NM2-2SB** = 2" M2 Square Baffle
- NM2-2RG** = 2" M2 Adjustable Gimbal
- NM2-2R270** = 2" M2 Adjustable Elbow
- NLTH-4ITW-MPW** = 4" Theia Downlight (27K/30K/35K/40K/50K)
- NEFLINTW-R4233MPW** = 4" E-Series FLIN Downlight (27K/30K/35K)
- NEFLINTW-R4345MPW** = 4" E-Series FLIN Downlight (30K/40K/50K)
- NEFLINTW-R460233MPW** = 4" E-Series FLIN Downlight (27K/30K/35K)
- NFLIN-R407** = 4" FLIN Round LED Downlight
- NM4-RG** = 4" M4 Adjustable Gimbal
- NM4-R470** = 4" M4 Adjustable Elbow
- NLTH-6ITW-MPW** = 6" Theia Downlight (27K/30K/35K/40K/50K)
- NEFLINTW-R6233MPW** = 6" E-Series FLIN Downlight (27K/30K/35K)
- NEFLINTW-R6345MPW** = 6" E-Series FLIN Downlight (30K/40K/50K)
- NFLIN-R610** = 6" FLIN Round LED Downlight

Example: **NF-R246** = Universal New Construction Frame-In for LED luminaires