

NLUD

L-Line LED Indirect/Direct - Selectable CCT

Source: 30W to 100W

3700lm to 12300lm

Type

Project

Catalog No.

Notes

PRODUCT DESCRIPTION

L-Line Indirect/Direct luminaires offer a clean and modern appearance with a sleek extruded aluminum housing. Symmetrical light distribution will evenly illuminate surfaces with a diffused lens, making L-Line ideal for commercial, retail, healthcare and education applications. Available in wall mount or pendant mounting options. Luminaires can be daisy chained with luminous L, X or T connectors or installed separately.

FEATURES

- Three built in switches to control direction of light output and color temperature per direction
- Average of 1643 lumens per foot (70% direct / 30% indirect)
- Selectable CCT (3000K/3500K/4000K) in both directions
- Wall mounted or pendant mounted
- Luminaires can be daisy chained with accessories
- 120-347V input with 0-10V dimming
- DLC Listed

SPECIFICATION

Construction: One piece extruded aluminum housing with solid end caps. Includes diffused polycarbonate lens for symmetrical light distribution. Luminaires include three integral switches to control light direction (direct, indirect/direct, indirect) and color temperature switch for direction of light.

Mounting: Luminaires can be wall mounted or pendant mounted with kits (ordered separately). Pendant mounting systems require a mounting kit at each end of luminaire. Wall mount kit includes wall plate and wiring for luminaires.

Daisy Chain: Luminaires can be connected with daisy chain bracket (ordered separately). Bracket allows luminaires to be connected (refer to tables on page 3, 4 and 5).

ELECTRICAL

Input Voltage: 120-347V

Lumens / Wattage: See chart below

Color Temperature: Selectable CCT per direction (3000K/3500K/4000K)

Note: Both CCT switches are preset to 3000K

Direction of Light: Selectable Direction (direct only / indirect & direct / indirect only)

Note: Preset to indirect & direct position

Color Rendering Index: 80+ CRI

Operating Temperature: -20°C to 50°C

Dimming: 0-10V

Maximum Wattage Per Run: 420W

MOUNTING KITS & ACCESSORIES

NLUD-PCC: Pendant Power & Aircraft Mounting Kit

NLUD-CC: Aircraft Mounting Kit

NLUD-WM: Wall Mount Kit

NLUD-PMC: Bracket for Pendant Mounted Daisy Chain

NLUD-WMC: Bracket for Wall Mounted Daisy Chain

NLUD-MDPH: Wire Harness Kit for Multi-Direction (Pendant Mount only)

NLUD-WPC/20: 20' Wall Mount Power Cord

LABELS AND LISTINGS

- DLC Listed
- cETLus Listed for Damp Location
- FCC Compliant
- 5-Year Limited Warranty



PRODUCT IMAGES & DIMENSIONS



NLUD-2 / NLUD-4 / NLUD-8
2' / 4' / 8' Linear



NLUD-X
X-Connector



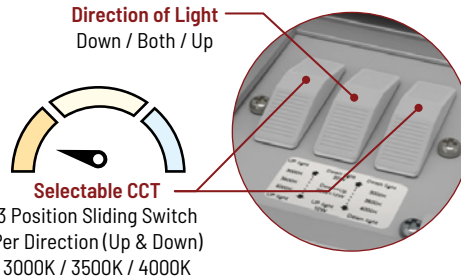
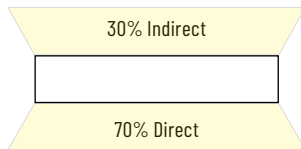
NLUD-T
T-Connector



NLUD-L
L-Connector



MOUNTING KITS ON PAGE 2



Function	2'	4'	8'	X	L	T
Indirect only	1140lm / 10W	1905lm / 15W	3810lm / 30W	1793lm / 15W	1166lm / 10W	1516lm / 12W
Indirect / Direct	3710lm / 30W	6152lm / 50W	12304lm / 100W	6028lm / 50W	3781lm / 30W	5027lm / 40W
Direct only	2570lm / 20W	4247lm / 35W	8493lm / 70W	4234lm / 35W	2615lm / 20W	3511lm / 28W

Lumens shown at 4000K

L-Line LED Indirect/Direct - Mounting kits are required

Linear Length	Color Temperature	Finish
NLUD-2 = 2' Linear	334 = Selectable CCT (3000K/3500K/4000K)	A = Aluminum
NLUD-4 = 4' Linear		B = Black
NLUD-8 = 8' Linear		W = White
NLUD-X = X-Connector		
NLUD-L = L-Connector		
NLUD-T = T-Connector		

Mounting Kits & Accessories

Description	Finish	Cable Length
NLUD-PCC = Pendant Power & Aircraft Mounting Kit	A = Aluminum	(blank) = 8'
NLUD-CC = Aircraft Mounting Kit	B = Black	/20 = 20'
	W = White	
NLUD-PMC = Bracket for Pendant Mounted Daisy Chain	A = Aluminum	
NLUD-WMC = Bracket for Wall Mounted Daisy Chain	B = Black	
NLUD-2WM = Wall Mount Kit for NLUD-2	W = White	
NLUD-4WM = Wall Mount Kit for NLUD-4		
NLUD-8WM = Wall Mount Kit for NLUD-8		
NLUD-MDPH = Wire Harness Kit for Multi-Directional Power (pendant mount only)		
NLUD-WPC/20 = 20' Wall Mount Power Cord		

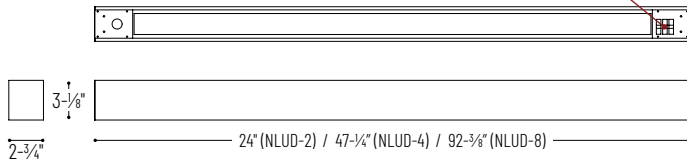
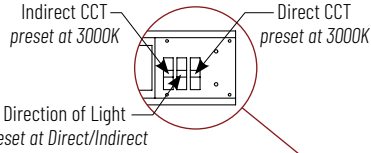
Example: **NLUD-2334A** = 2' L-Line LED Indirect/Direct, Selectable CCT (3000K / 3500K / 4000K), Aluminum finish

NLUD

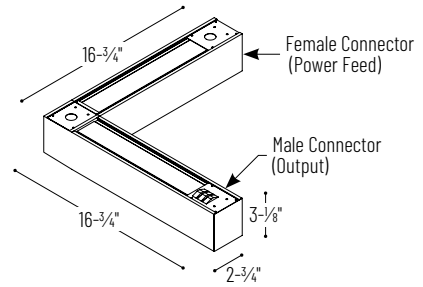
L-Line LED Indirect/Direct - Selectable CCT

Type _____
 Project _____
 Catalog No. _____
 Notes _____

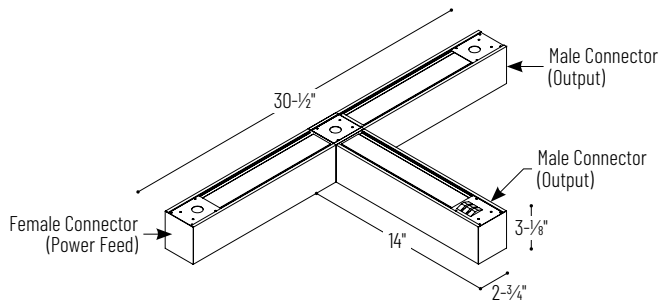
- NLUD-2** 2' Indirect / Direct LED Luminaire
- NLUD-4** 4' Indirect / Direct LED Luminaire
- NLUD-8** 8' Indirect / Direct LED Luminaire



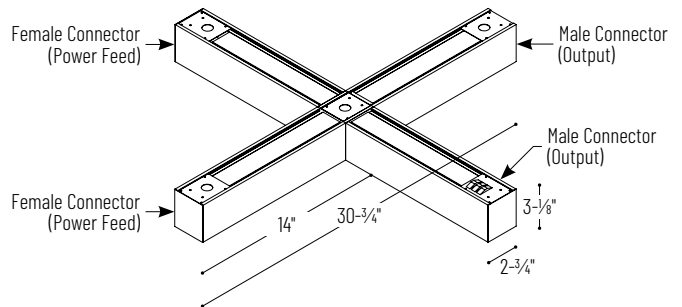
- NLUD-L** "L" Indirect / Direct LED Luminaire
- Can be connected other luminaires with coupler accessory (ordered separately)



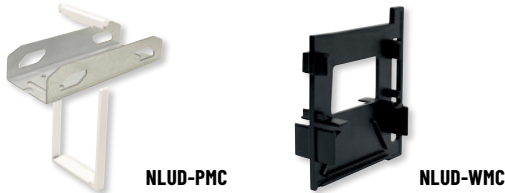
- NLUD-T** "T" Indirect / Direct LED Luminaire
- Can be connected other luminaires with coupler accessory (ordered separately)



- NLUD-X** "X" Indirect / Direct LED Luminaire
- Can be connected other luminaires with coupler accessory (ordered separately)



- NLUD-PMC** Bracket for Pendant Mounted Daisy Chain
- NLUD-WMC** Bracket for Wall Mounted Daisy Chain (optional but recommended)



- NLUD-2WM** Wall Mount Kit for NLUD-2 (power cable included)
- NLUD-4WM** Wall Mount Kit for NLUD-4 (power cable included)
- NLUD-8WM** Wall Mount Kit for NLUD-8 (power cable included)



- NLUD-PCC** 8' Pendant Power & Aircraft Mounting Kit
 - NLUD-PCC/20** 20' Pendant Power & Aircraft Mounting Kit
- Includes (1) suspension point and (1) suspension + power cord + electrical connectors



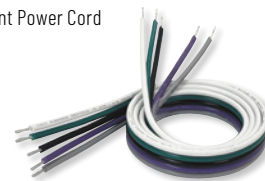
- NLUD-CC** 8' Aircraft Mounting Kit
 - NLUD-CC/20** 20' Aircraft Mounting Kit
- Mounting point required on each end of luminaire.



- NLUD-MDPH** Wire Harness Kit for Multi Directional Power (Daisy Chain)
- Used to power luminaires together in center of run / multiple directions



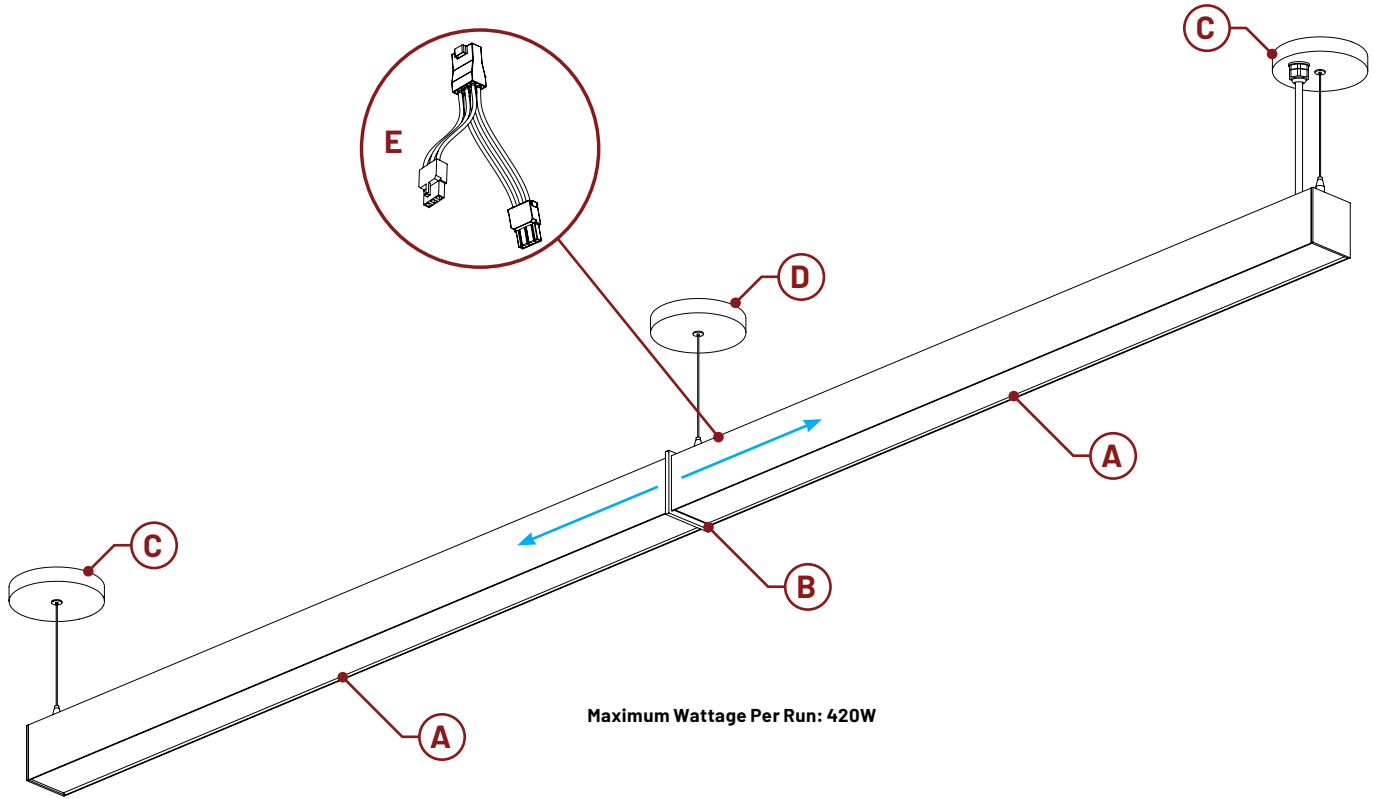
- NLUD-WPC/20** 20' Wall Mount Power Cord



NLUD

L-Line LED Indirect/Direct - Linear Multi-Directional Layout

Type _____
Project _____
Catalog No. _____
Notes _____



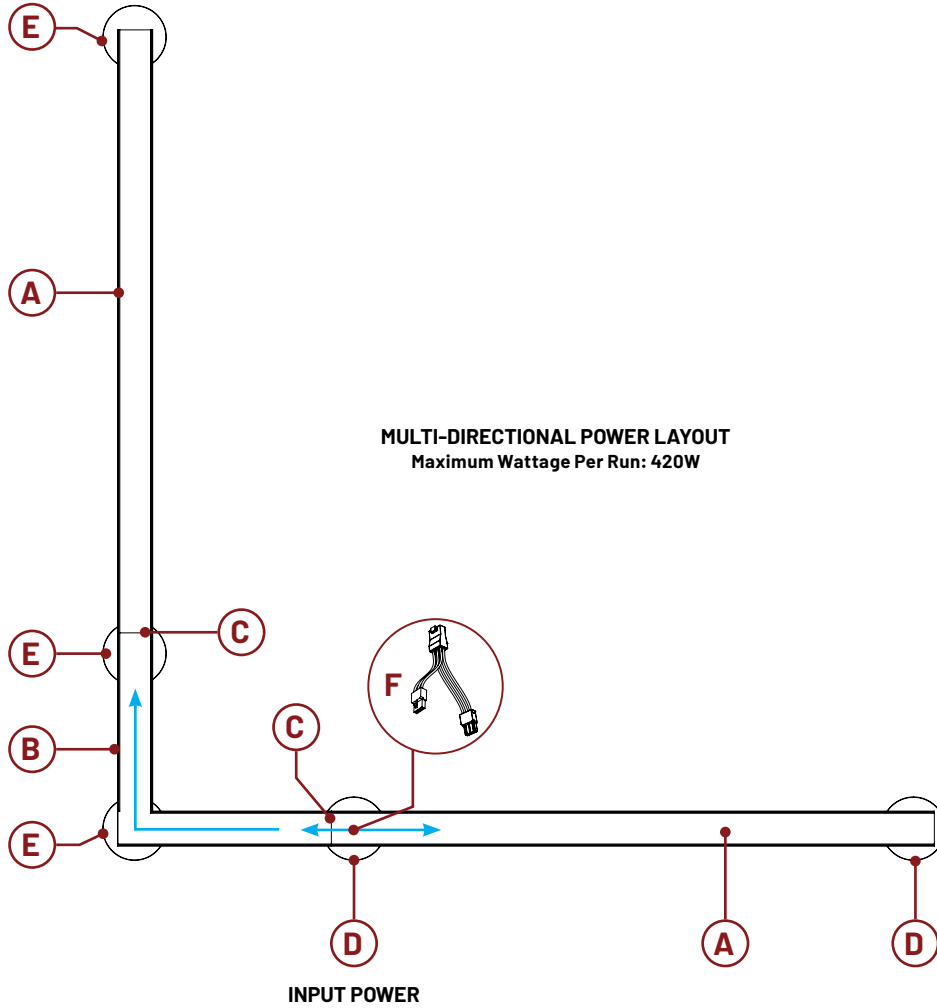
Maximum Wattage Per Run: 420W

	Part Number	Description	Quantity
A	NLUD-2334	2' LED Linear Indirect / Direct	2
B	NLUD-PMC	Bracket for Daisy Chaining	1
C	NLUD-CC	Aircraft Mounting Kit	2
D	NLUD-PCC	Pendant Power & Aircraft Mounting Kit	1
E	NLUD-MDPH	Wire Harness Kit	1

NLUD

L-Line LED Indirect/Direct - Multi-Directional Layout

Type	_____
Project	_____
Catalog No.	_____
Notes	_____

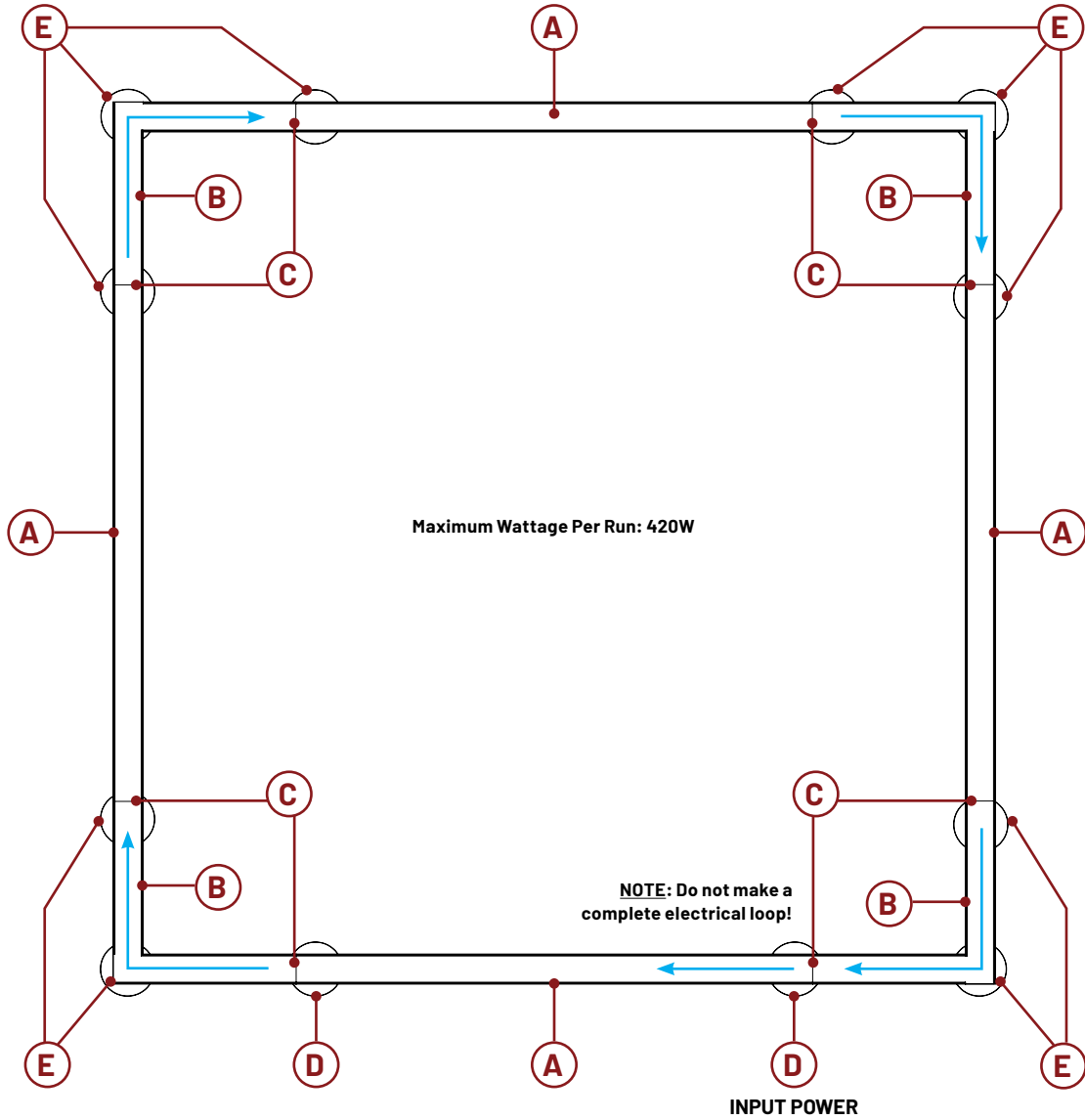


	Part Number	Description	Quantity
A	NLUD-4334	4' LED Linear Indirect / Direct	2
B	NLUD-L334	"L" LED Linear Indirect / Direct	1
C	NLUD-PMC	Bracket for Daisy Chaining	2
D	NLUD-PCC	Pendant Power & Aircraft Mounting Kit	1
E	NLUD-CC	Aircraft Mounting Kit	3
F	NLUD-MDPH	Wire Harness Kit	1

NLUD

L-Line LED Indirect/Direct - Square Linear Direction Layout

Type _____
 Project _____
 Catalog No. _____
 Notes _____



	Part Number	Description	Quantity
A	NLUD-4334	4' LED Linear Indirect / Direct	4
B	NLUD-L334	"L" LED Linear Indirect / Direct	4
C	NLUD-PMC	Bracket for Daisy Chaining	8
D	NLUD-PCC	Pendant Power & Aircraft Mounting Kit	1
E	NLUD-CC	Aircraft Mounting Kit	10

PHOTOMETRICS

L-Line LED Indirect/Direct - Selectable CCT

Type

Project

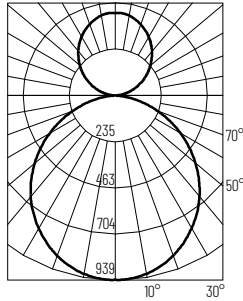
Catalog No.

Notes

Test Information

Test Number: 14137063.02A
 Part Number: NLUUD-2334W
 Lumens: 3710lm
 Wattage: 30.1W
 Efficacy: 123lpw
 CCT / CRI: 4000K / 80 CRI
 Spacing Criteria (0°-180°): 1.24
 Spacing Criteria (90°-270°): 1.24

Polar Curve



Zonal Lumen Summary

Zone	Lumens	% Luminaire
0-30	717	19.3
0-40	1168	31.5
0-60	2043	55.1
0-90	2570	69.3
90-180	1140	30.7
0-180	3710	100

Candela Table

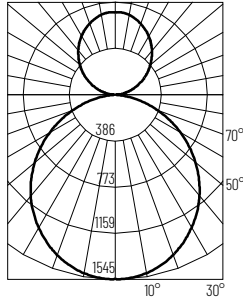
Vertical Angles	Candela
0	933
5	922
15	884
25	813
35	715
45	595

CCT Multiplier:
 3000K = x0.937
 3500K = x0.991
 4000K = x1.00

Test Information

Test Number: 14137063.04A
 Part Number: NLUUD-4334W
 Lumens: 6152lm
 Wattage: 47.6W
 Efficacy: 129lpw
 CCT / CRI: 4000K / 80 CRI
 Spacing Criteria (0°-180°): 1.24
 Spacing Criteria (90°-270°): 1.24

Polar Curve



Zonal Lumen Summary

Zone	Lumens	% Luminaire
0-30	1185	19.3
0-40	1929	31.4
0-60	3376	54.9
0-90	4247	69
90-180	1905	31
0-180	6152	100

Candela Table

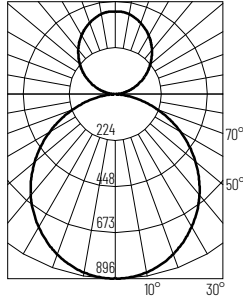
Vertical Angles	Candela
0	1540
5	1536
15	1475
25	1359
35	1197
45	998

CCT Multiplier:
 3000K = x0.937
 3500K = x0.991
 4000K = x1.00

Test Information

Test Number: 14124128.04
 Part Number: NLUUD-L334W
 Lumens: 3544lm
 Wattage: 29.4W
 Efficacy: 121lpw
 CCT / CRI: 3000K / 80 CRI
 Spacing Criteria (0°-180°): 1.26
 Spacing Criteria (90°-270°): 1.24

Polar Curve



Zonal Lumen Summary

Zone	Lumens	% Luminaire
0-30	686	19.4
0-40	1116	31.5
0-60	1947	54.9
0-90	2451	69.2
90-180	1093	30.8
0-180	3544	100

Candela Table

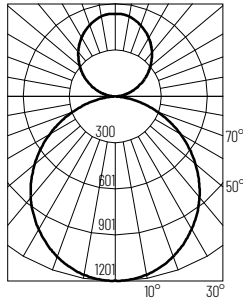
Vertical Angles	Candela
0	894
5	886
15	858
25	792
35	698
45	577

CCT Multiplier:
 3000K = x1.00
 3500K = x1.057
 4000K = x1.067

Test Information

Test Number: 14124128.05
 Part Number: NLUUD-T334W
 Lumens: 4712lm
 Wattage: 39.7W
 Efficacy: 119lpw
 CCT / CRI: 3000K / 80 CRI
 Spacing Criteria (0°-180°): 1.24
 Spacing Criteria (90°-270°): 1.26

Polar Curve



Zonal Lumen Summary

Zone	Lumens	% Luminaire
0-30	920	19.5
0-40	1498	31.8
0-60	2616	55.5
0-90	3291	69.8
90-180	1421	30.2
0-180	4712	100

Candela Table

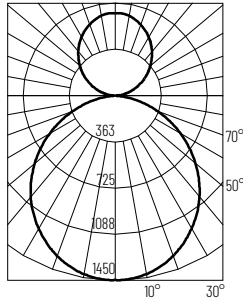
Vertical Angles	Candela
0	1198
5	1189
15	1142
25	1052
35	927
45	764

CCT Multiplier:
 3000K = x1.00
 3500K = x1.057
 4000K = x1.067

Test Information

Test Number: 14124128.06
 Part Number: NLUUD-X334W
 Lumens: 5650lm
 Wattage: 47.4W
 Efficacy: 119lpw
 CCT / CRI: 3000K / 80 CRI
 Spacing Criteria (0°-180°): 1.26
 Spacing Criteria (90°-270°): 1.26

Polar Curve



Zonal Lumen Summary

Zone	Lumens	% Luminaire
0-30	1106	19.6
0-40	1804	31.9
0-60	3156	55.9
0-90	3969	70.2
90-180	1681	29.8
0-180	5650	100

Candela Table

Vertical Angles	Candela
0	1441
5	1436
15	1380
25	1274
35	1126
45	933

CCT Multiplier:
 3000K = x1.00
 3500K = x1.057
 4000K = x1.067