

# Users' Manual

**PAGEONE**  
lighting

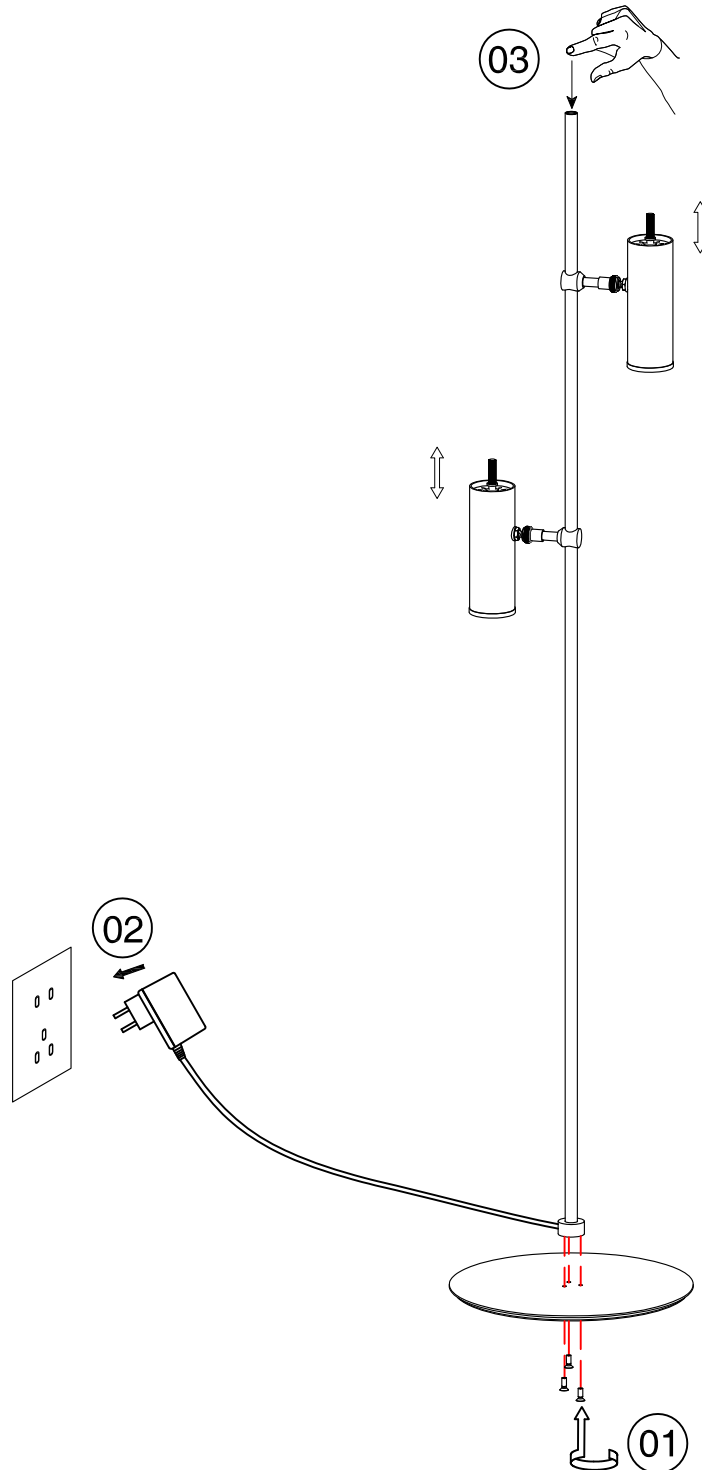
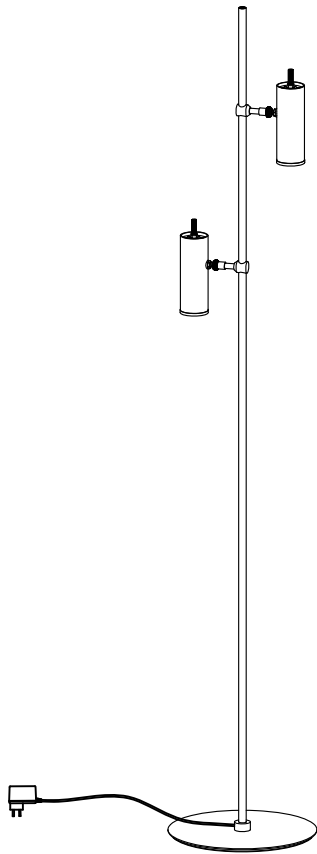
ITEM NO: PF150594-SDG

FIGURE N° 1. UNPACK THE FIXTURE: CHECK THE CONTENTS OF THE BOX. YOU SHOULD RECEIVE ITEMS AS BELOW

## CAUTION:

1.- "Suitable for dry locations only"

Figure N° 1



Dimmer  
Intensity



1 touch  
off



2 touch  
100%



3 touch  
75%



4 touch  
50%



5 touch  
25%