

**⚠ WARNINGS AND CAUTIONS**

Released Date: 2022-04-08

**READ AND SAVE THESE INSTRUCTIONS**

Please read and understand this entire manual before attempting to assemble, install or operate the product.

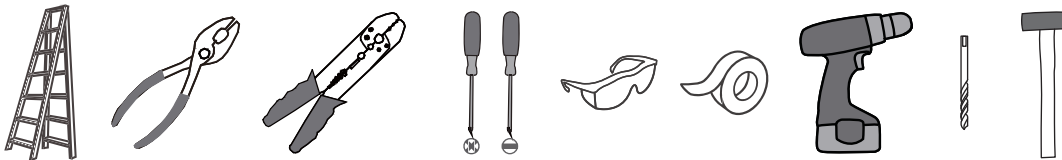
**WARNING**

- RISK OF ELECTRIC SHOCK - Before beginning installation, turn off electricity at the circuit breaker box or the main fuse box.
- RISK OF FIRE - Use bulbs specified by the markings and/or labels on the fixture.
- RISK OF PERSONAL INJURY - DO NOT bend the blades when installing the fan, or cleaning the fan. Do not insert foreign objects in between rotating fan blades.
- RISK OF FIRE, ELECTRIC SHOCK, OR PERSONAL INJURY - mount to outlet box marked (acceptable for fan support of 22.7kg(50lbs) or less) and use mounting screws provided with the outlet box.
- All set screws must be checked, and re-tightened where necessary, before installation.
- After making the wire connections, the wires should be spread apart with the grounded conductor and the equipment-grounding conductor on one side of the outlet box and the ungrounded conductor on the other side of the outlet box.
- Suitable for use with solid-state speed controls.
- use only with light kits marked suitable for use in damp locations.
- This unit weighs 8.1 kg (17.82 lbs).

**CAUTION**

- For your safety, read instructions completely before beginning installation.
- If in doubt about electrical installation, consult a licensed electrician.
- Disconnect fixture from the power source before replacing bulbs or cleaning. Make sure the bulbs are given sufficient time to cool before removing.

**TOOLS REQUIRED**

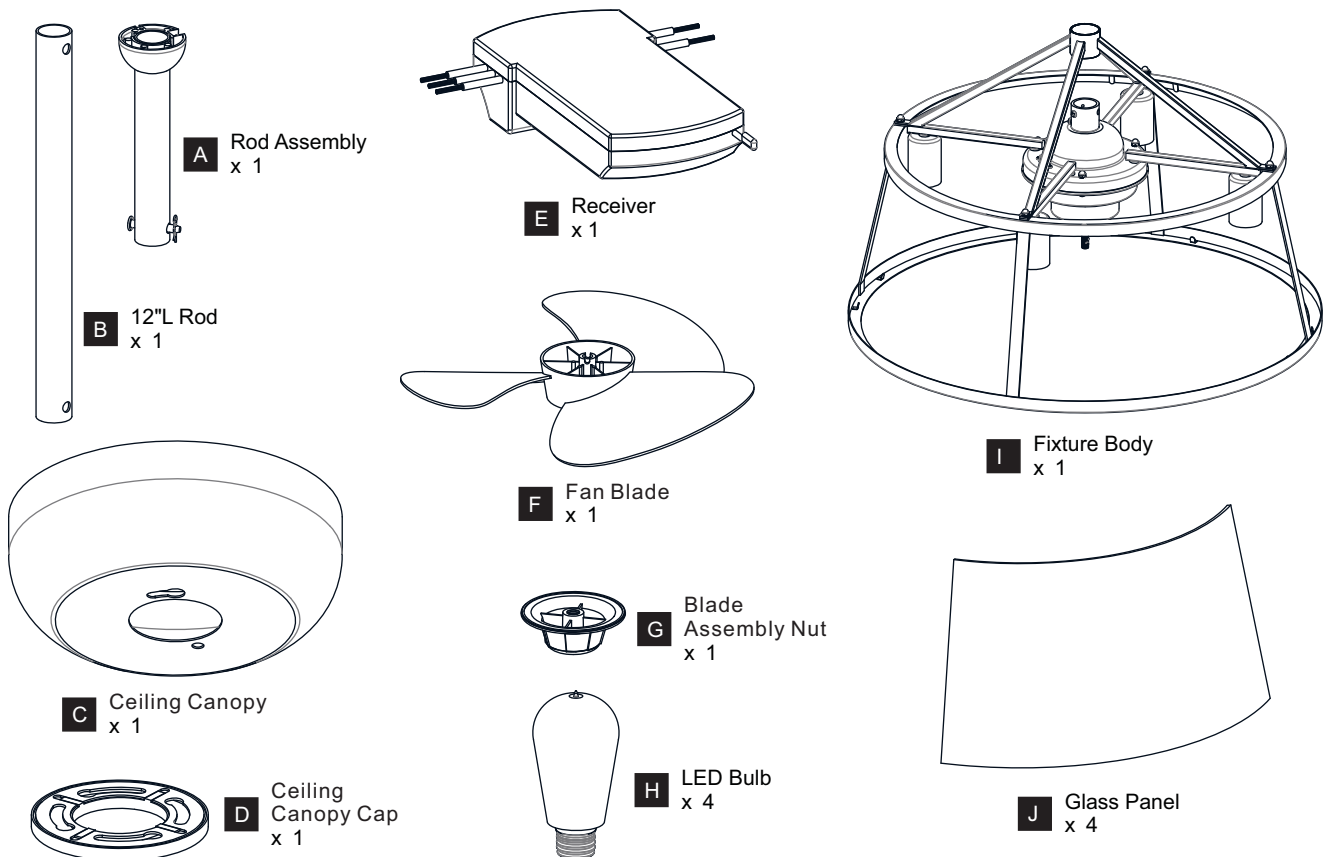


**CARE AND MAINTENANCE**

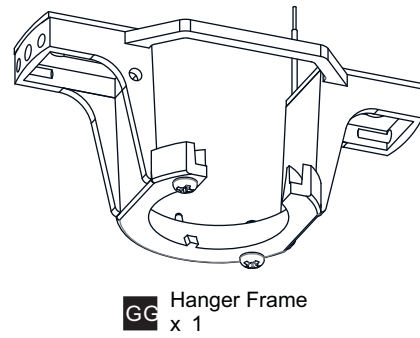
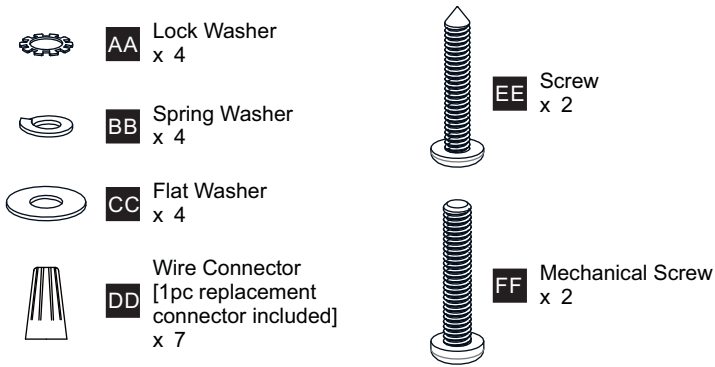
- Wipe clean using soft, dry cloth or static duster. Always avoid using harsh chemicals and abrasives to clean fixture as they may damage the finish.

If you need further assistance call Quozel Customer Care at 1-800-645-3184 (9:00am - 5:00pm EST), or visit us on-line at [www.quozel.com](http://www.quozel.com).

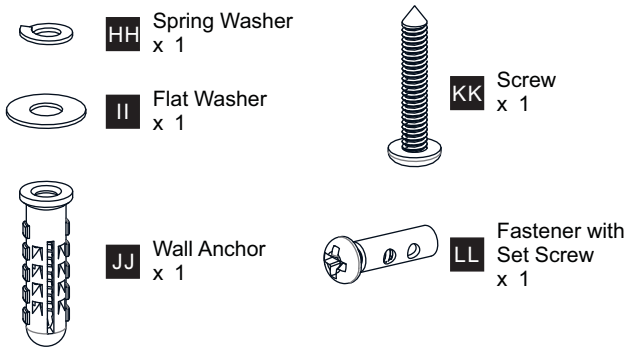
**PACKAGE CONTENTS**



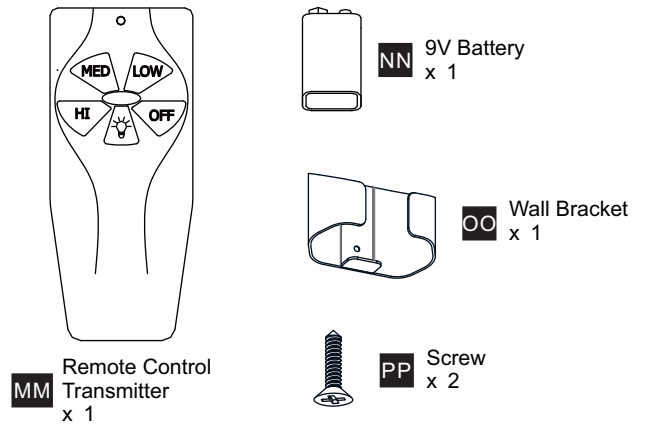
## PACKAGE CONTENTS (PARTS BAG 1)



## PACKAGE CONTENTS (PARTS BAG 2)

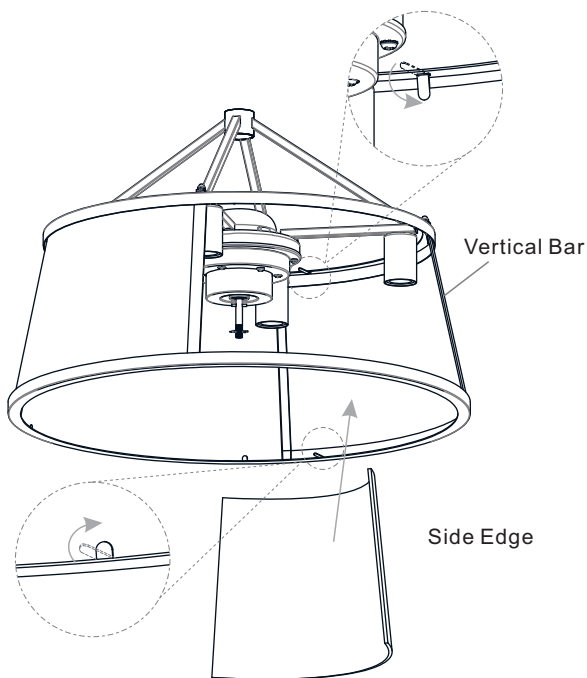


## PACKAGE CONTENTS (PARTS BAG 3)



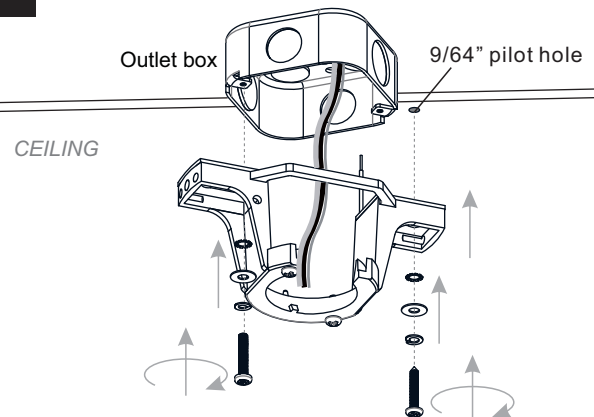
## INSTALLATION

### 1 Install Glass Panels



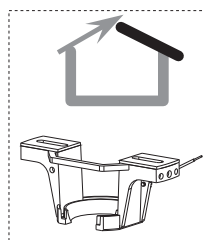
\* The side edge of the glass panel must be hidden behind of the vertical bars after assembly.

### 2 Install Hanger Frame



**Use machine screws** when securing to existing ceiling fan-rated outlet box that supports of 50 lbs (22.72 kg) or less.

**Use wood screws** When securing to support structure with approved electrical outlet box. Drill 9/64" pilot holes.



**This fan cannot be used for the ceiling which angle is greater than 10 degree.**

For angled ceilings, point opening toward peak.

**3 Choose Rod**



**OPTION 1**

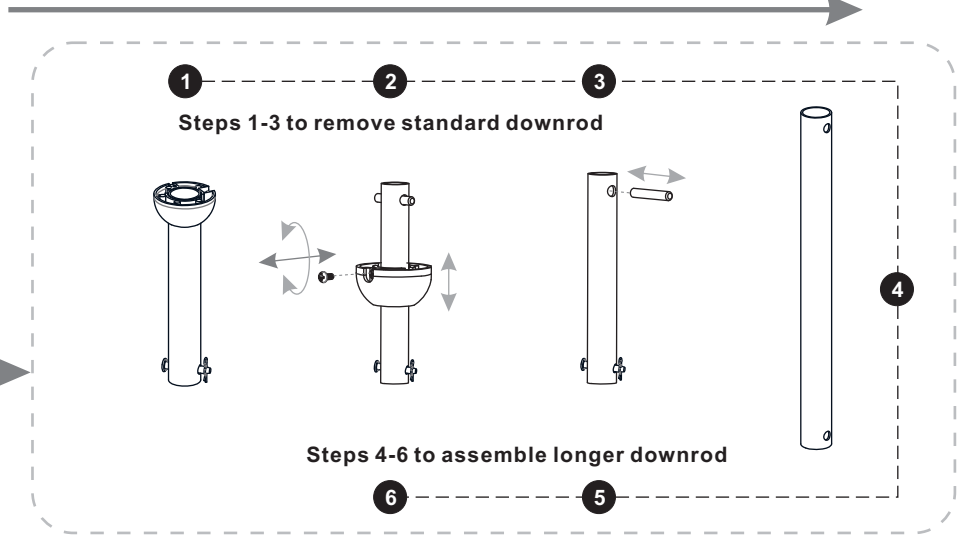
**Standard Downrod (Included - Pre-assembled)** for ceilings 11 Feet high



**OPTION 2**

**Longer Downrod (Included)** for angled ceilings or ceilings 12 Feet or higher

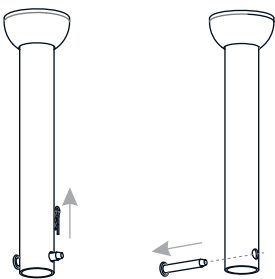
SKIP TO NEXT STEP



**4 Install Rod to Fixture Body**

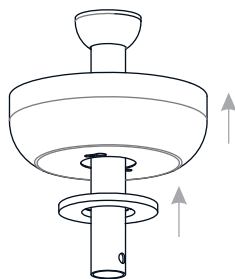
**1**

**Steps 1-2 to remove pin**



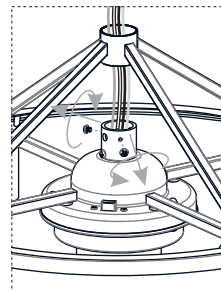
**2**

**Install ceiling canopy & ceiling canopy cap**

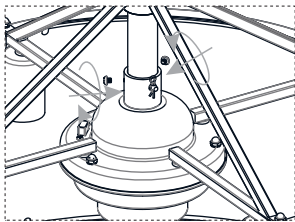


**3**

**Remove set screws on fixture body**

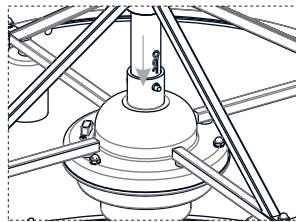


**4**



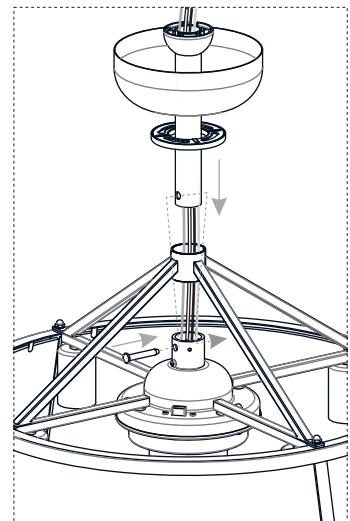
**Install set screws**

**7**



**Install pin**

**6**

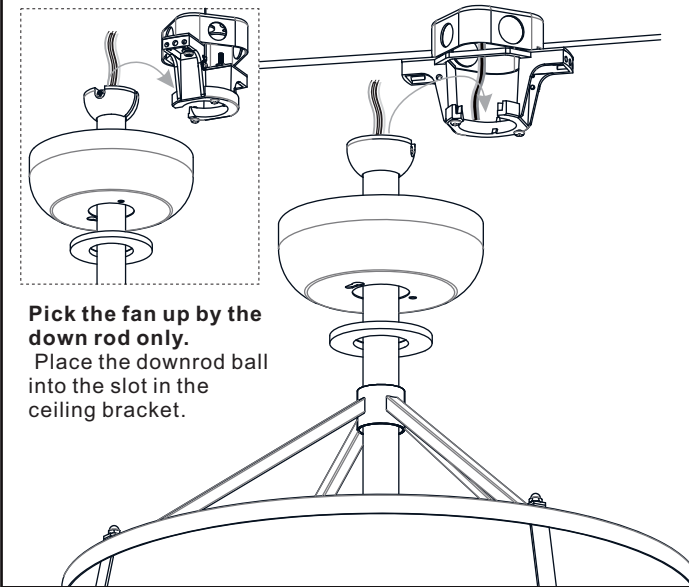


**Install rod**

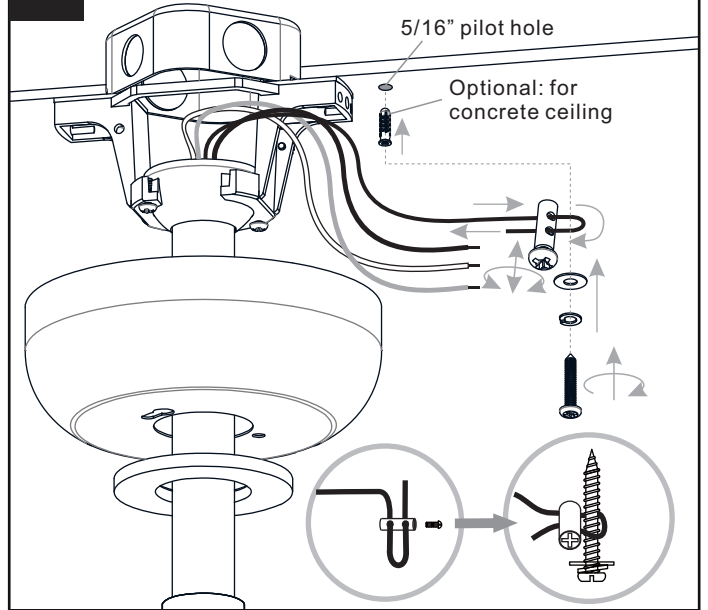
**5**

# INSTALLATION

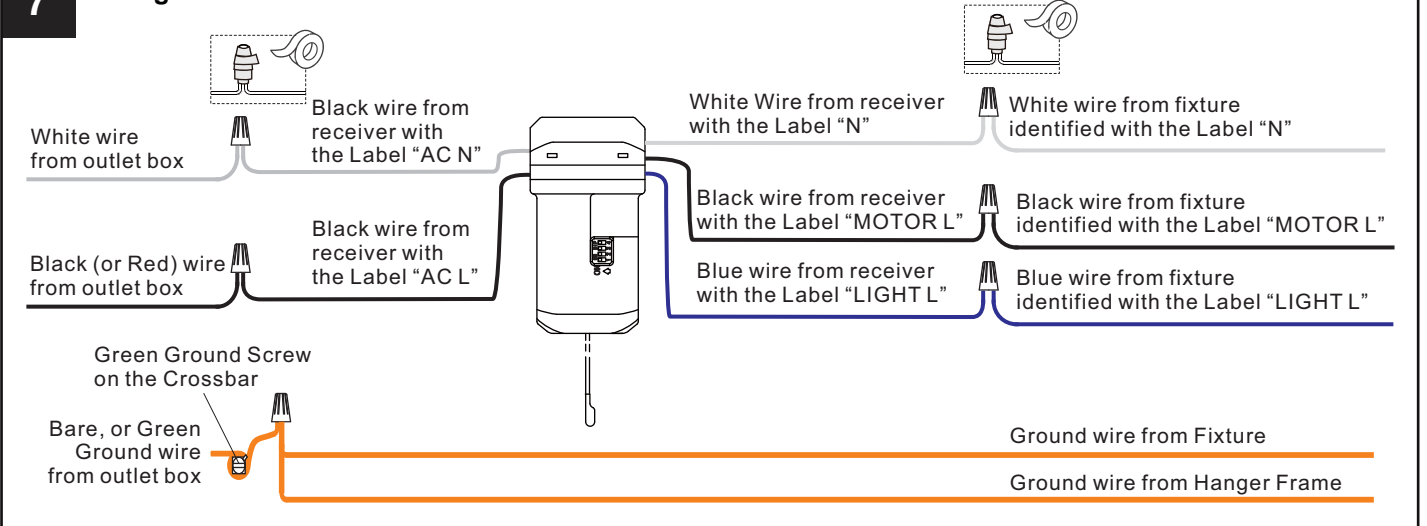
## 5 Install Rod to Hanger Frame



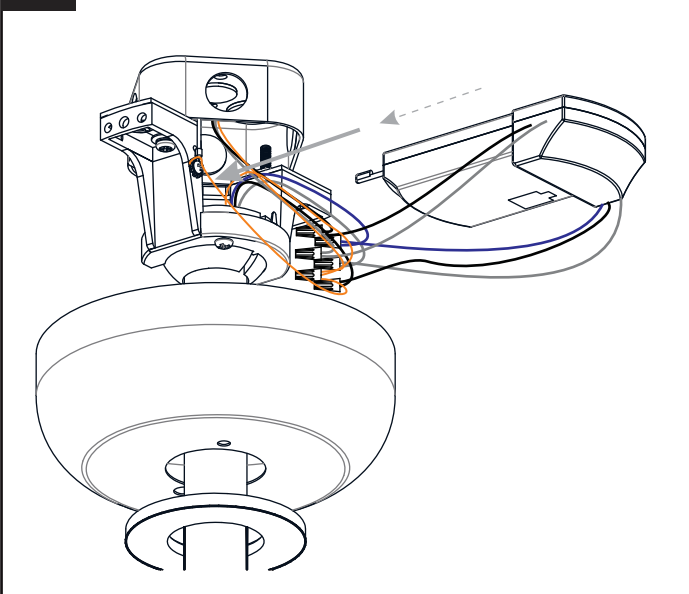
## 6 Install Safety Cable



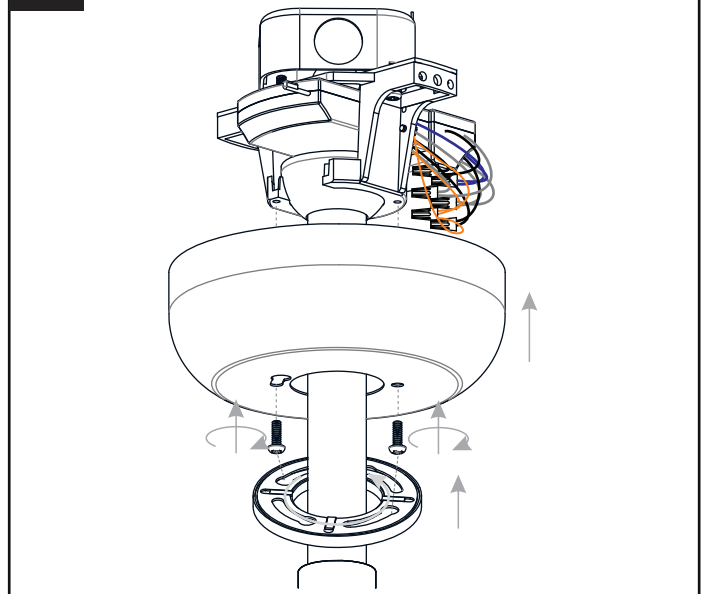
## 7 Wiring



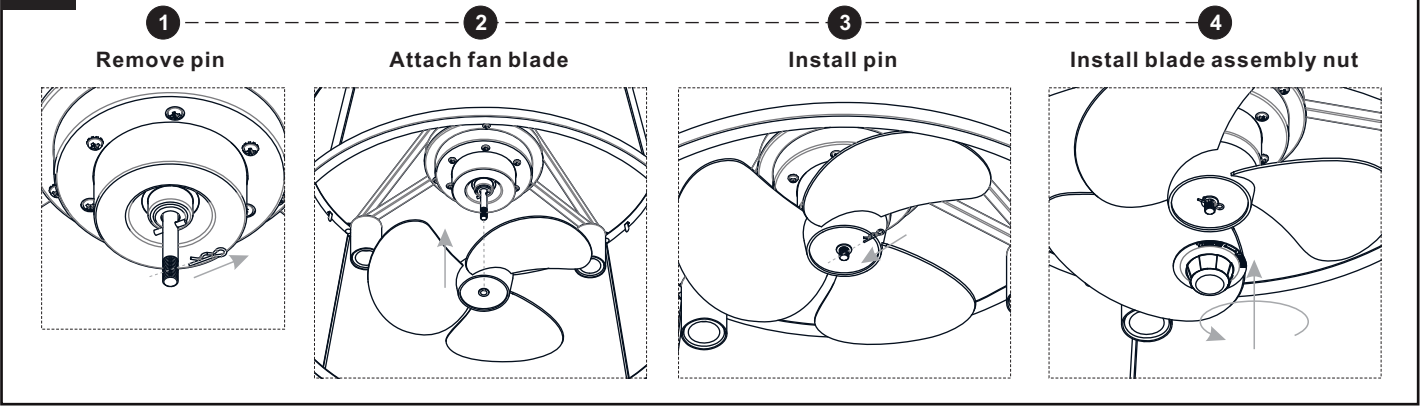
## 8 Place Controller to Hanger Frame



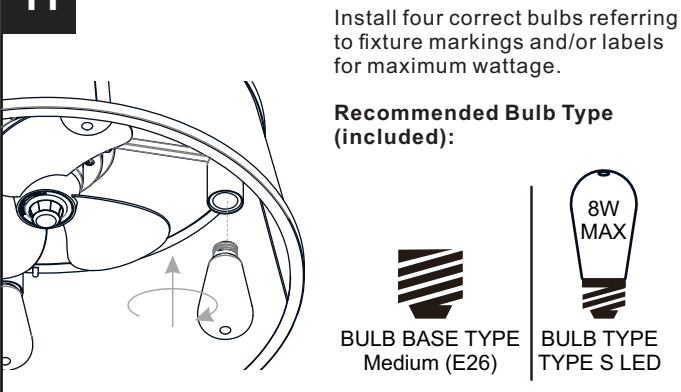
## 9 Install Ceiling Canopy and Cap



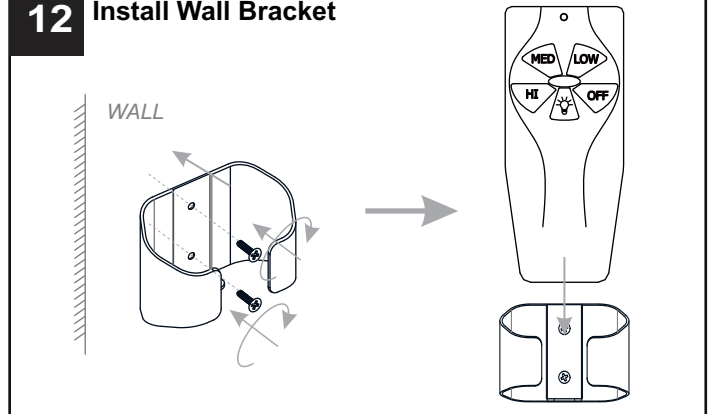
**10 Install Fan Blade**



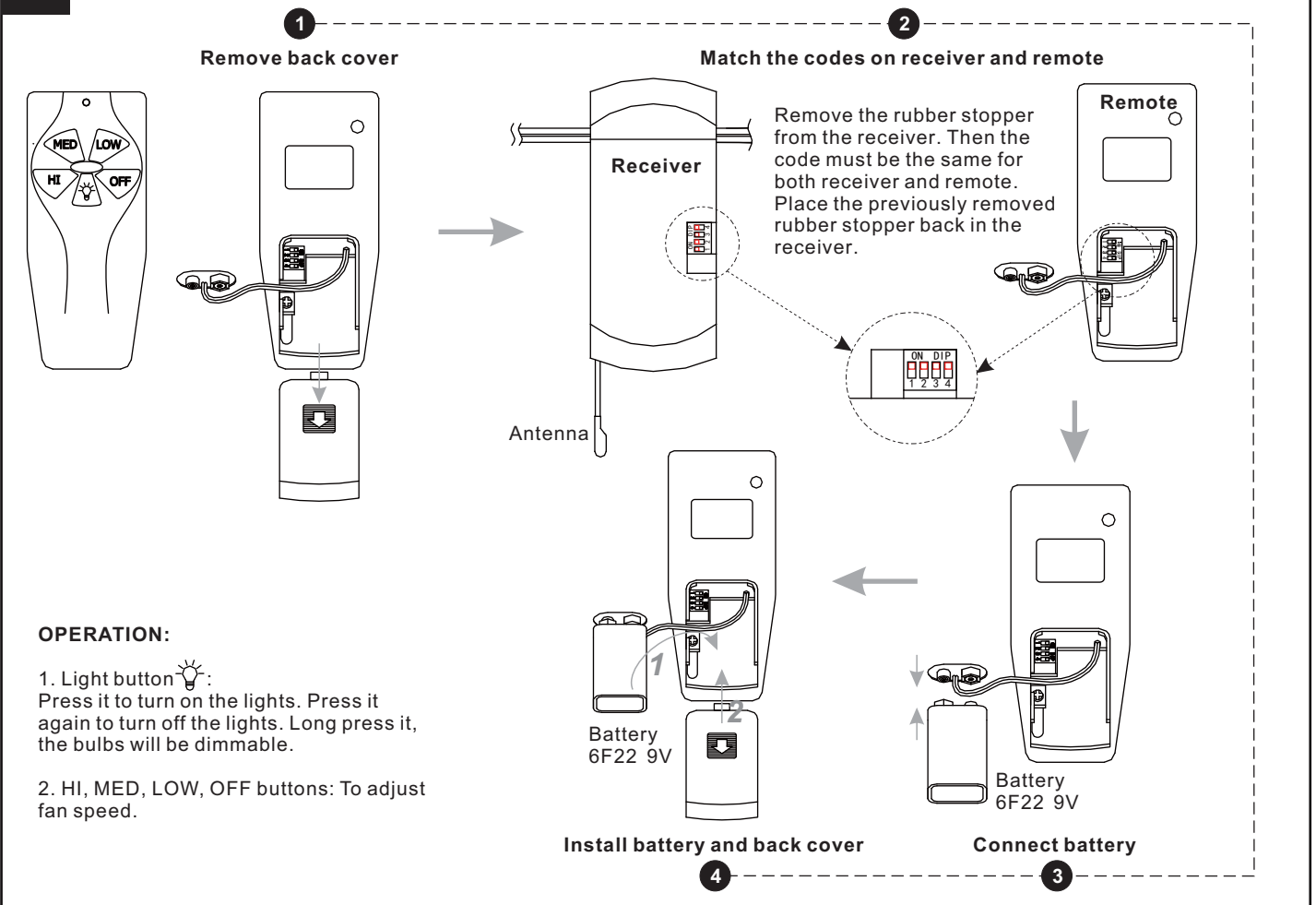
**11 Install Bulbs**



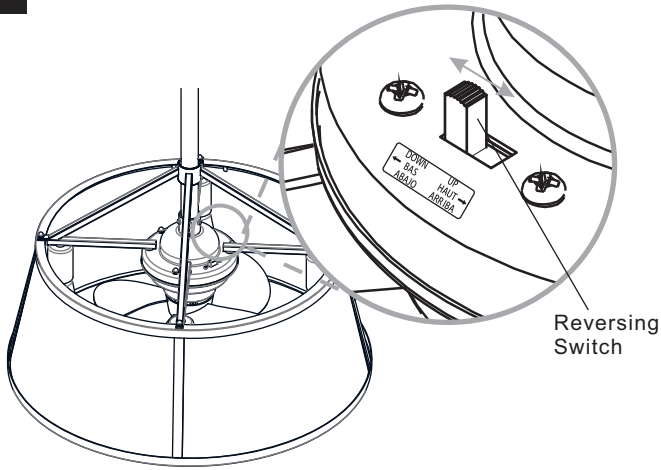
**12 Install Wall Bracket**



**13 Install Battery to Remote Control Transmitter**



**14** Reverse Fan Blade (Optional)



Reverse Switch Information		
Season	Rotation Direction	Switch Position
Summer	Counterclockwise	Left
Winter	Clockwise	Right

**Note:**

1. If airflow is desired in the opposite direction, turn the fan off and wait for the blades to stop turning.
2. Push the reverse switch to Left or Right completely.

**Your installation is now complete! Restore electricity and save this sheet for future reference.**