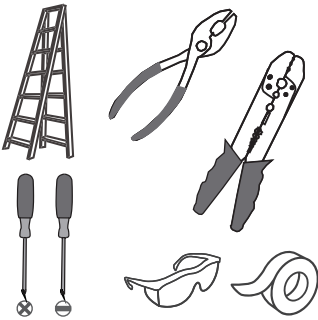
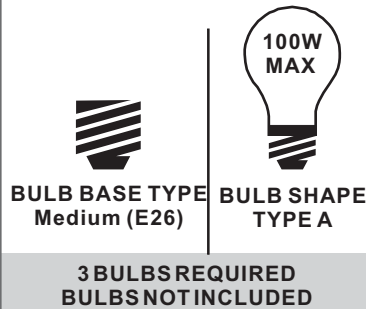


Tools Required



Light Source



Warnings and Cautions

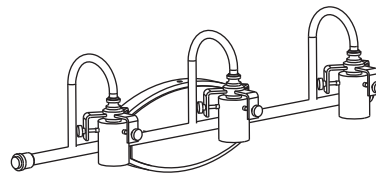
Turn off the electricity at the circuit breaker before installation. Consult a licensed electrician if in doubt about installation.

Turn off power to the fixture and allow the bulbs to cool before replacing.

Package Contents

Preparation: Identify and inspect all parts before beginning the installation.

Missing or damaged parts? Contact your original place of purchase.



E Fixture Body
x 1

PARTS BAG

A Mounting Screw
x 2

B Outlet Box Screw
x 2

C Wire Connector
x 3

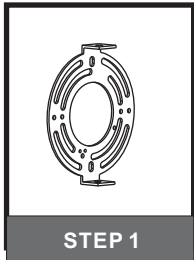
D Inner Backplate
x 1



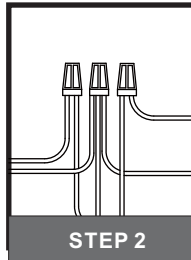
F Shade
x 3

Table of Contents

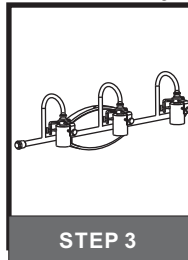
Inner Backplate



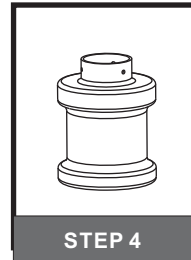
Wiring



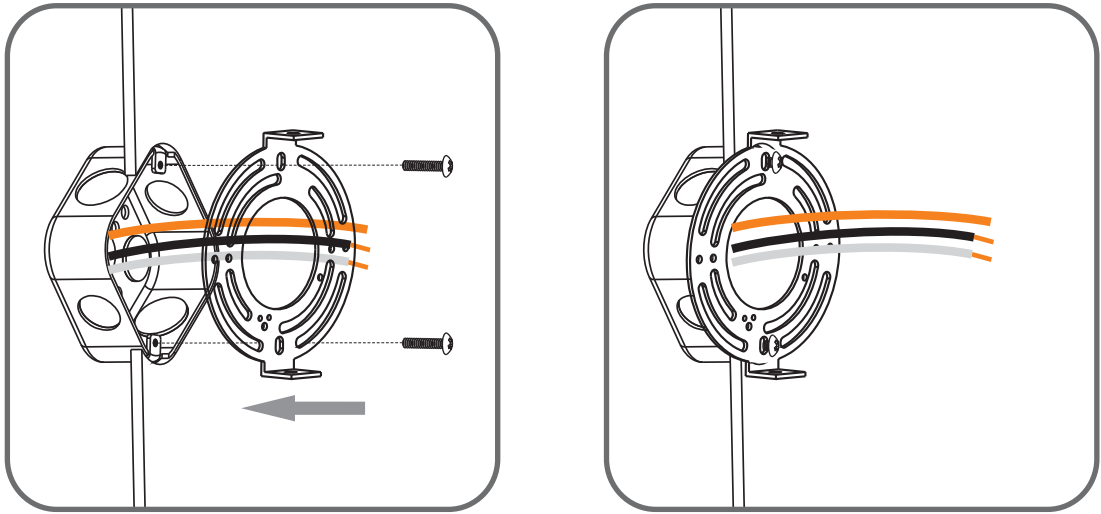
Fixture Body



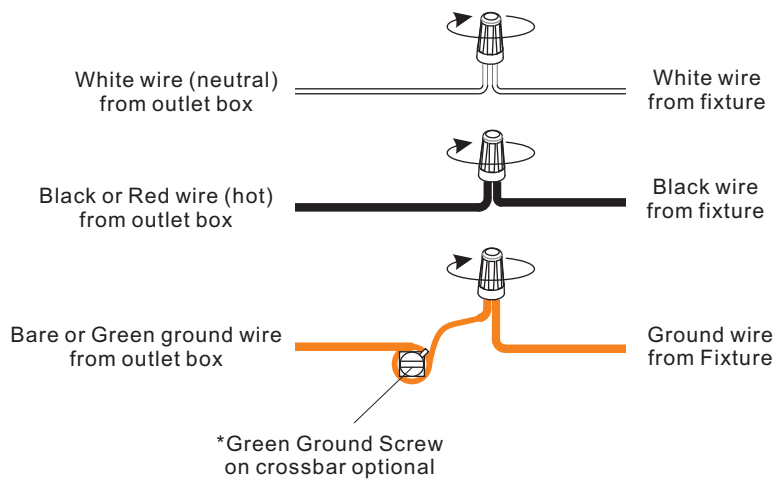
Shade & Bulb



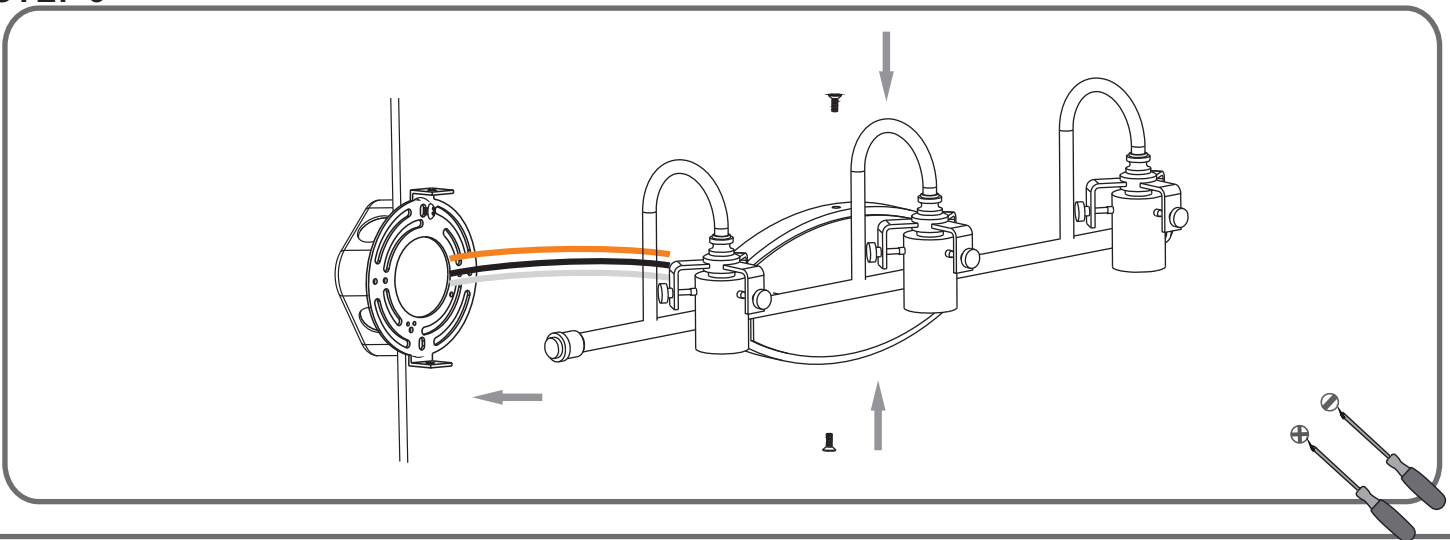
STEP 1



STEP 2

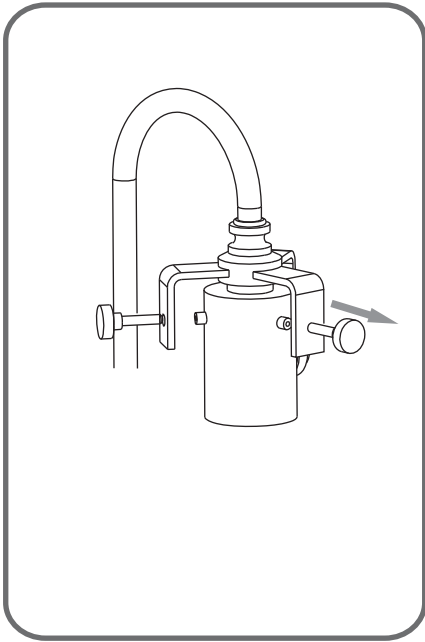


STEP 3



STEP 4

1



2

