

Please go to www. quozel. com for product cleaning tips. Go to the **Care + Maintenance** selection.

Tools Required: Flathead screwdriver, Phillips screwdriver, pliers, wire cutters, wire strippers, electrical tape, safety glasses.

Light Source: (8) Candelabra Base bulbs 60W Maximum

Estimated Assembly Time: 20-30 minutes

Preparation: Identify and inspect all parts before beginning installation. Check package content list and diagrams below to be sure all parts are present. If any parts are missing or damaged, do not attempt to assemble, install, or operate the fixture. Contact customer service for replacement parts.

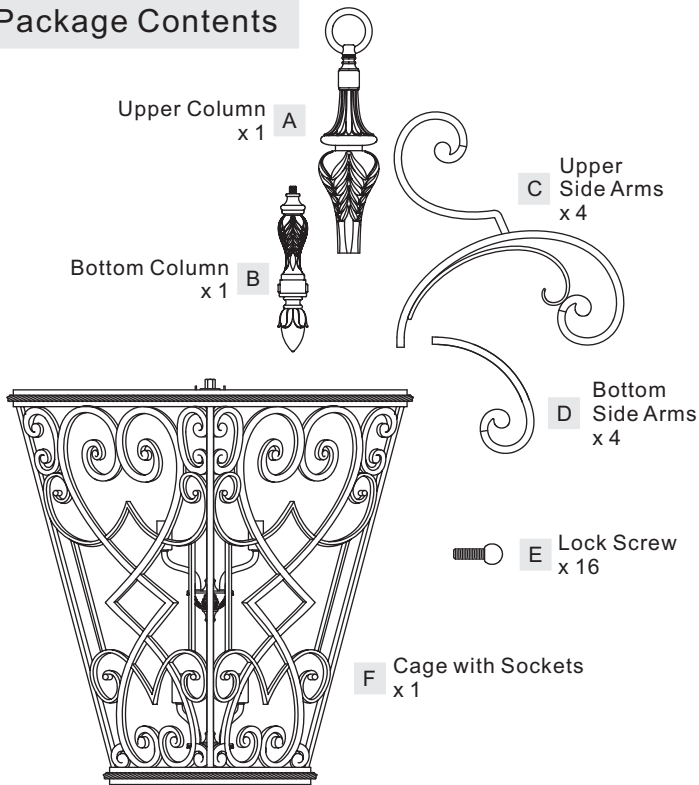
⚠ Warnings and Cautions

Turn off electricity at circuit breaker or main fuse box before installation. Consult a licensed electrician if in doubt.

These instructions are provided for your safety. It is very important you read them completely before installing the fixture. We strongly recommend that a licensed, professional electrician perform the installation.

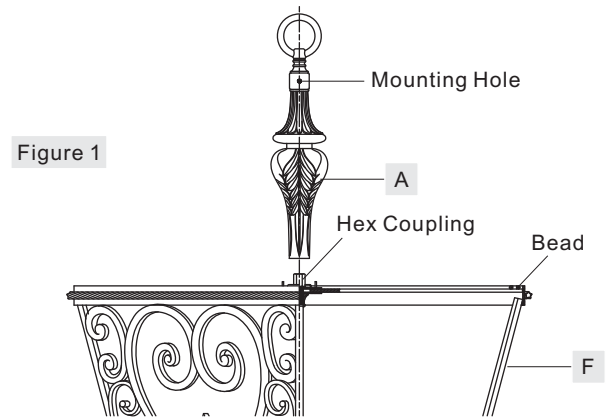
Disconnect fixture from power source before replacing bulbs. Make sure bulbs are given sufficient time to cool before removal.

Package Contents



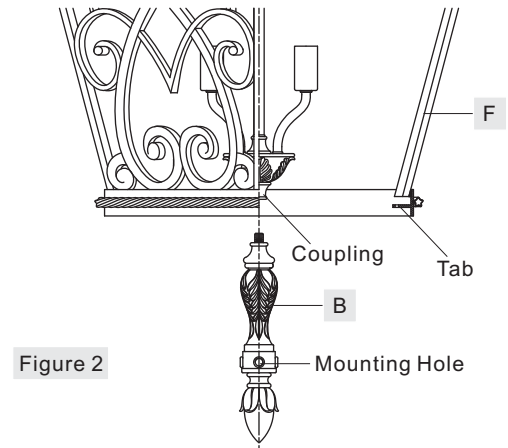
STEP 1 – Install Upper Column

A. Thread the Upper Column (A) onto the hex coupling on the top center of the Cage (F). Please line up mounting holes on the side of the Upper Column (A) to beads on the top corner of the Cage (F) before hand tighten until snug.

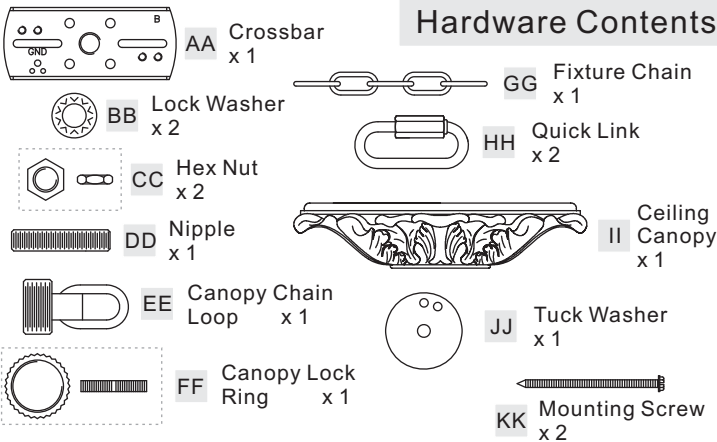


STEP 2 – Install Bottom Column

A. Thread the Bottom Column (B) into the coupling in the bottom center of the Cage (F). Please line up mounting holes on the side of the Bottom Column (B) to tabs on the bottom corner of the Cage (F) before hand tighten until snug.



Hardware Contents



Thank you for purchasing a Quoizel product.
Need assistance with parts or assembly? Call Quoizel customer service at 1-800-645-3184
or visit us on-line at www. quozel. com

STEP 3 - Install Side Arms

- Place the bottom end of the Upper Side Arm (C) over the stud in the top center of the Cage (F). Line up holes on the scrolls of the Upper Side Arm (C) to mounting holes on the Upper Column (A) and bead on the top corner of the Cage (F). Secure the Upper Side Arms (C) by threading Lock Screws (E) into the mounting holes. Hand tighten until snug.
- Locate the Bottom Side Arm (D). Line up holes on the Bottom Side Arm (D) to mounting holes on the Bottom Column (B) and tab on the bottom corner of the Cage (F). Secure the Bottom Side Arms (D) by threading Lock Screws (E) into the mounting holes. Hand tighten until snug.

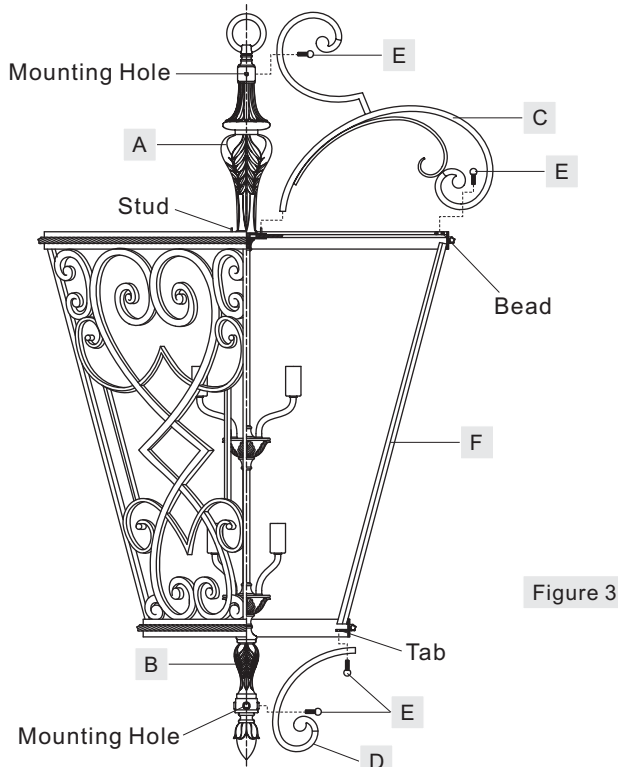


Figure 3

STEP 4 - Install Crossbar and Ceiling Canopy

- * Pliers is required for this step.
- Drill a 5/8" diameter clearance hole on the top inside center of the Outlet Box and through the Structural Support Member. Place Crossbar (AA) onto Outlet Box and line up mounting holes with a set of holes on Crossbar (AA). Thread Outlet Box Screws (not supplied) into the mounting holes on the Outlet Box and tighten until snug to secure the Crossbar (AA). By using a screwdriver, thread Mounting Screws (KK) into the Structural or Bridging Member and tighten until snug.
 - Thread one Hex Nut (CC) to one end of the Nipple (DD) until it is at least 0.25" from the end. Pass one Lock Washer (BB) over the end of the Nipple (DD) and thread the Canopy Chain Loop (EE) onto the Nipple (DD). By using pliers, thread the Hex Nut (CC) against the Canopy Chain Loop (EE) and hand tighten until snug.

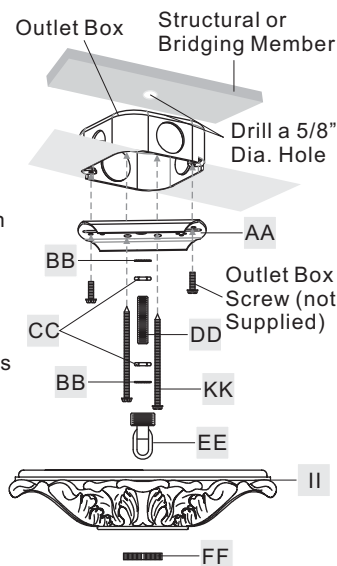


Figure 4

(Step 4 Continued)

- Thread another Hex Nut (CC) to the middle of the Nipple (DD). Place another Lock Washer (BB) over the Nipple (DD) and then thread the Nipple (DD) into the Crossbar (AA) until the Nipple (DD) is about 0.375" above the Crossbar (AA).
- Remove the Canopy Lock Ring (FF) from the Canopy Chain Loop (EE). Place the Ceiling Canopy (II) over the Canopy Chain Loop (EE) against the ceiling to determine the correct position of the Nipple (DD). Thread the Canopy Lock Ring (FF) onto the Canopy Chain Loop (EE). Adjust the Nipple (DD) to allow the Ceiling Canopy (II) to rest against the ceiling when held in place by the Canopy Lock Ring (FF).
- Remove the Canopy Lock Ring (FF) and the Ceiling Canopy (II). Tighten the Hex Nut (CC) against the Crossbar (AA) to secure in place.

STEP 5 - Install Fixture Chain, Safety Cable and Ceiling Canopy

- Adjust the Fixture Chain (GG) to your desired length by removing links if needed.
- Pull the supply wires through the Fixture Chain (GG) alternating links. After the wires are through the Fixture Chain (GG), pull the Supply Wires and the Ground Wire through the Canopy Lock Ring (FF) and the Ceiling Canopy (II) in order.
- Attach one end of the Fixture Chain (GG) to the Fixture Loop with one Quick Link (HH). Lift the fixture and Fixture Chain (GG) up and attach the other end of the Fixture Chain (GG) onto the Canopy Chain Loop (EE) with another Quick Link (HH). The fixture will now hang safely.
- Feed the Supply Wires and Ground Wire through the Canopy Chain Loop (EE) and Nipple (DD) into the Outlet Box. Cut the wires leaving approximately 8" of wire extending from the Outlet Box.
- Go to Step 6 for safety cable installation.
- Go to Step 7 for wire connections and follow the directions. Return to Step G in this step when complete with Step 7.
- Raise the Ceiling Canopy (II) and Canopy Lock Ring (FF) up the Fixture Chain (GG) and over the Canopy Chain Loop (EE). Tighten the Canopy Lock Ring (FF) onto the Canopy Chain Loop (EE) until tight.

Suggested chain length for Ceiling height :
 9' ceiling : use 7 links of chain and 2 quick links
 10' ceiling : use 16 links of chain and 2 quick links

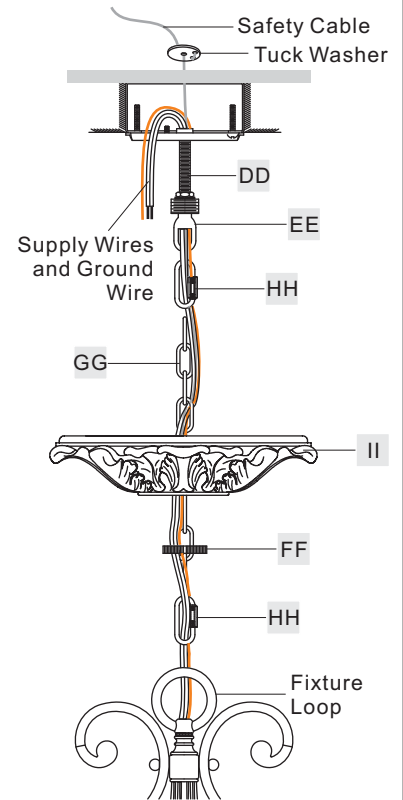
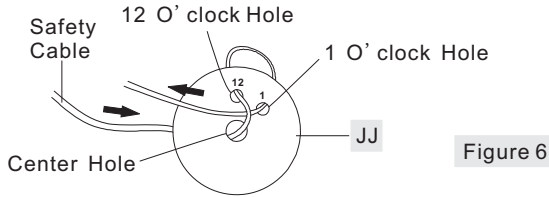


Figure 5

Thank you for purchasing a Quoizel product.
 Need assistance with parts or assembly? Call Quoizel customer service at 1-800-645-3184
 or visit us on-line at www.quoizel.com

STEP 6 - Install Safety Cable

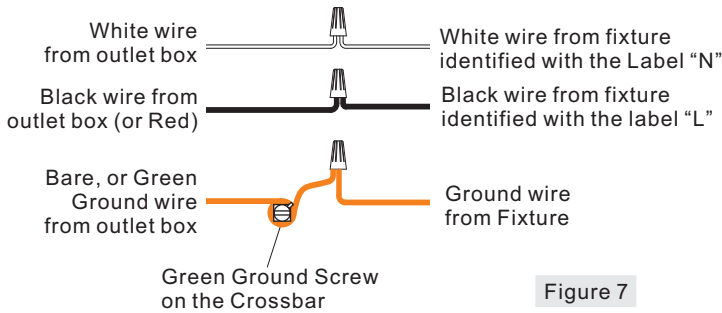
- A. Push all slack Safety Cable through center hole of Outlet Box, Structural or Bridging Member and Tuck Washer (JJ).
- B. Push the Cable down through the 12 O'clock Hole. Leaving 1/2" of slack. Then push the Cable up through the 1 O'clock Hole and tuck it under the cable between the Center Hole and the 12 O'clock Hole.
- C. Pull all of excess cable through all of the holes until the Tuck Washer is very close to the Structural or Bridging Member. Remove as much slack as possible out of the Tuck Washer. About 1/2" of slack between Tuck Washer and the hole is acceptable.



STEP 7 - Making the Wire Connections

- A. Wrap bare or green ground wire around green ground screw on the crossbar, no less than 2 inches from the end of the wire. Tighten the green ground screw.
- B. Use standard wire connectors (not included) to make all wire connections. Twist connectors until wires are tightly joined together. Wrap each connection with approved electrical tape and carefully stuff all the connected wires into outlet box.

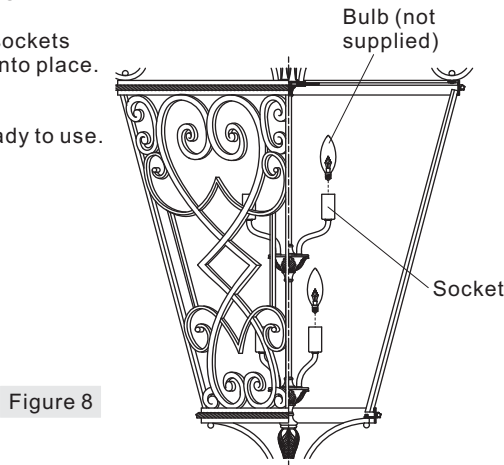
Note: If the electrical wire is going to be cut shorter than provided you will need to identify the "L" line wire and the "N" neutral wire before you cut the excess wire off. One is labeled N and the other labeled L. To do this separate the "L" line wire and the "N" neutral wire as far as you need to. Re-label the wire near where you want to make the cut. Be sure to mark the wire on the side of the fixture and not on the excess wire being cut and removed.



STEP 8 - Install Bulbs

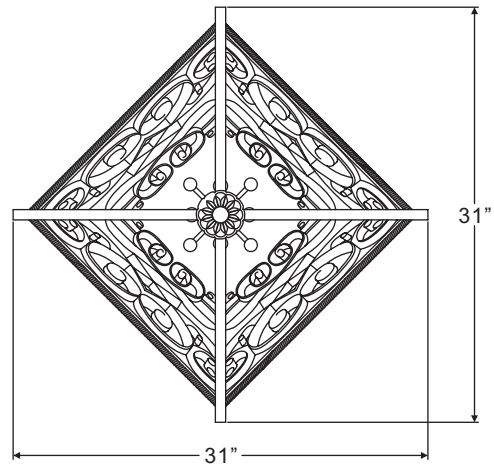
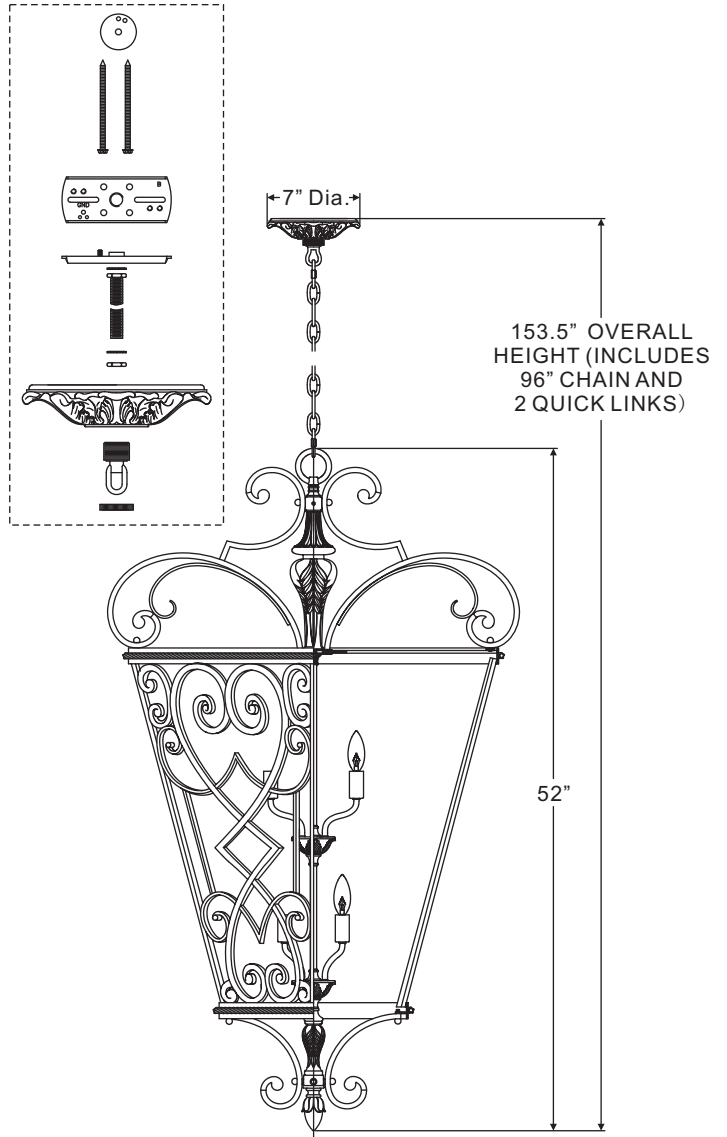
- A. Install bulbs onto sockets and screw snugly into place.

Your fixture is now assembled and ready to use. Enjoy!



FQ1931MK01

FINISH: MARCADO BLACK



NOTE: ALL DIMENSIONS ARE ROUNDED UP TO THE NEAREST 1/4"

Thank you for purchasing a Quoizel product.
Need assistance with parts or assembly? Call Quoizel customer service at 1-800-645-3184 or visit us on-line at www.quoise.com