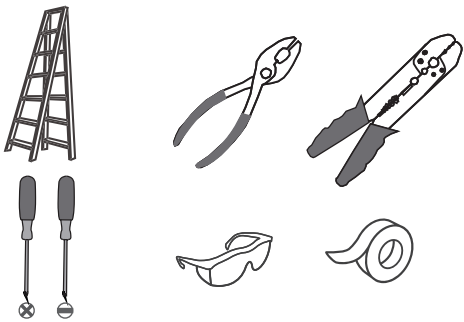
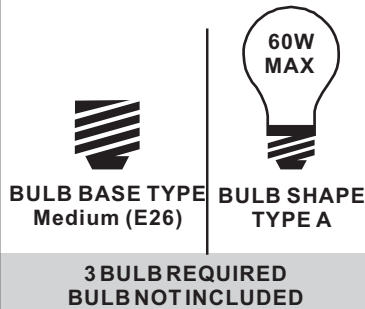


Tools Required



Light Source



Fixture Height Adjustable 15.25" to 51.25"

⚠ Warnings and Cautions

Turn off the electricity at the circuit breaker before installation. Consult a licensed electrician if in doubt about installation.

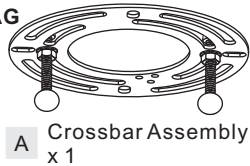
Turn off power to the fixture and allow the bulbs to cool before replacing.

Package Contents

Preparation: Identify and inspect all parts before beginning the installation.

Missing or damaged parts? Contact your original place of purchase.

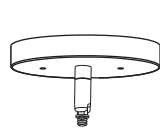
PARTS BAG



B Outlet Box Screw x 2



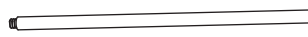
C Wire Connector x 3



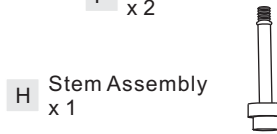
D Ceiling Canopy x 1



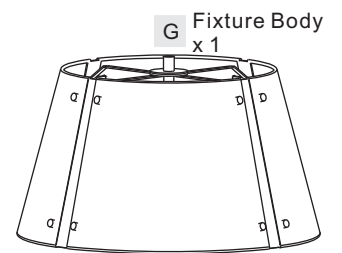
E 6" L Rod x 2



F 12" L Rod x 2



H Stem Assembly x 1



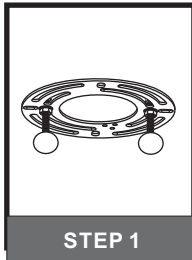
G Fixture Body x 1



I Diffuser x 1

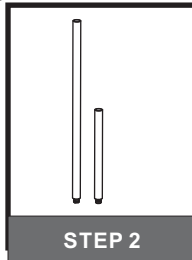
Table of Contents

Crossbar Assembly



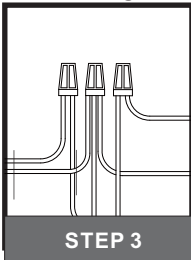
STEP 1

Downrod



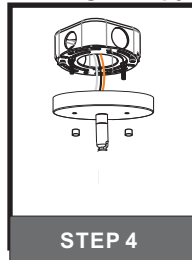
STEP 2

Wiring



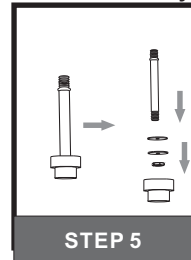
STEP 3

Ceiling Canopy



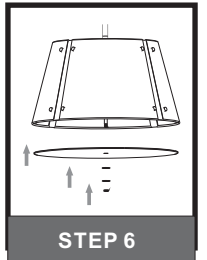
STEP 4

Stem Assembly



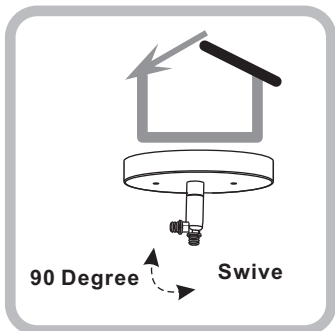
STEP 5

Diffuser



STEP 6

STEP 1

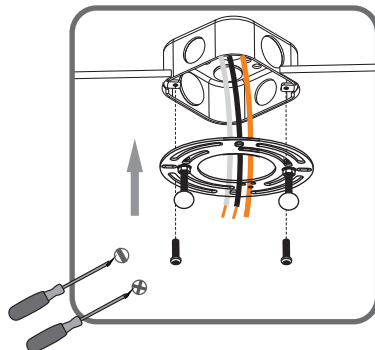


90 Degree Swive

For angled ceilings, Swivel opening towards wall.

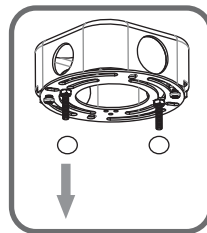
1

Step 1
Install crossbar assembly

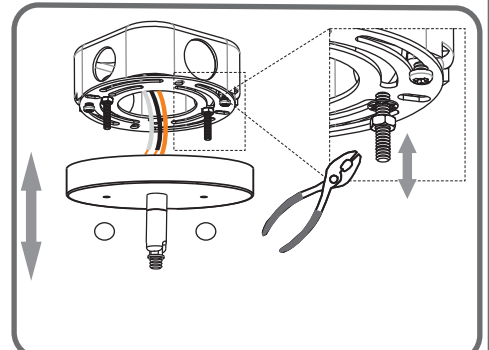


2

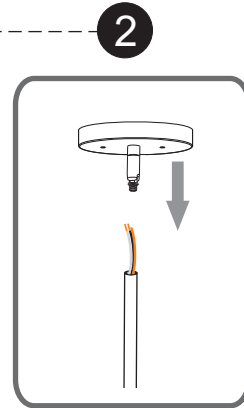
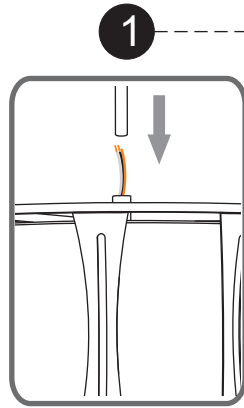
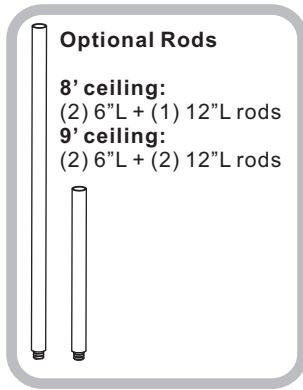
Step 2 - 3
Test fitting ceiling canopy to mounting screws



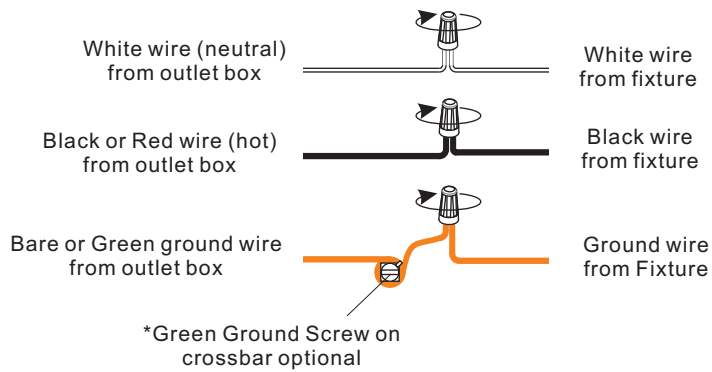
3



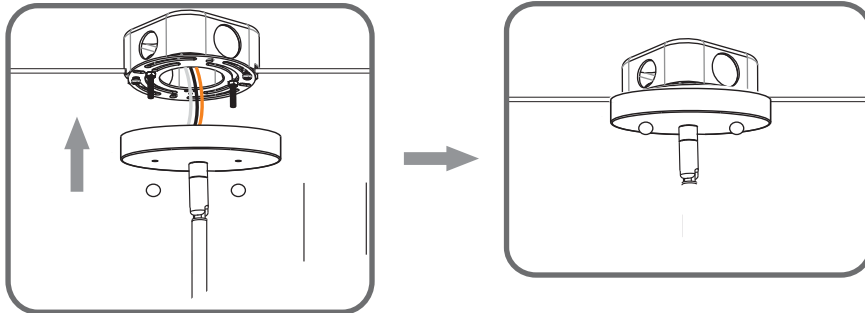
STEP 2



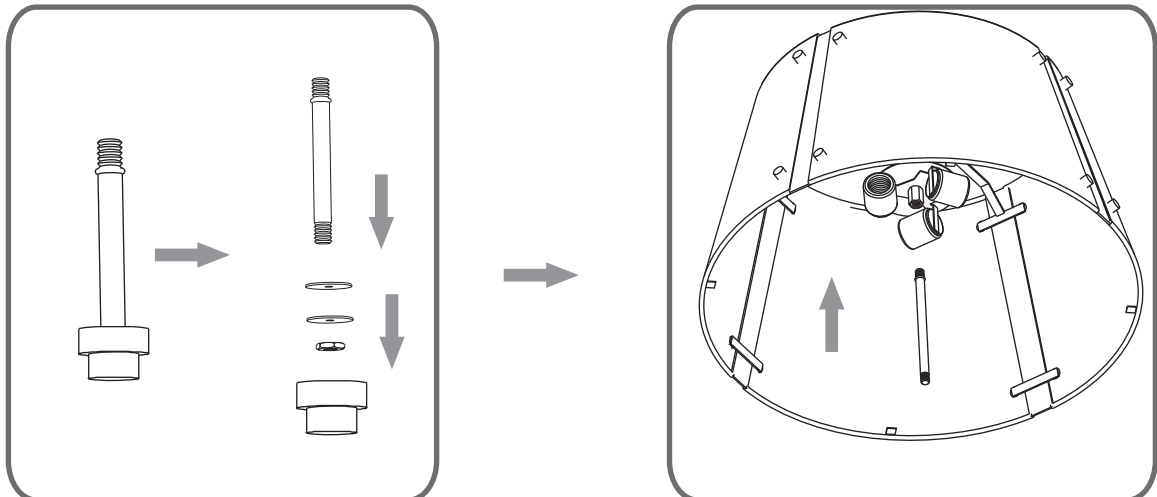
STEP 3



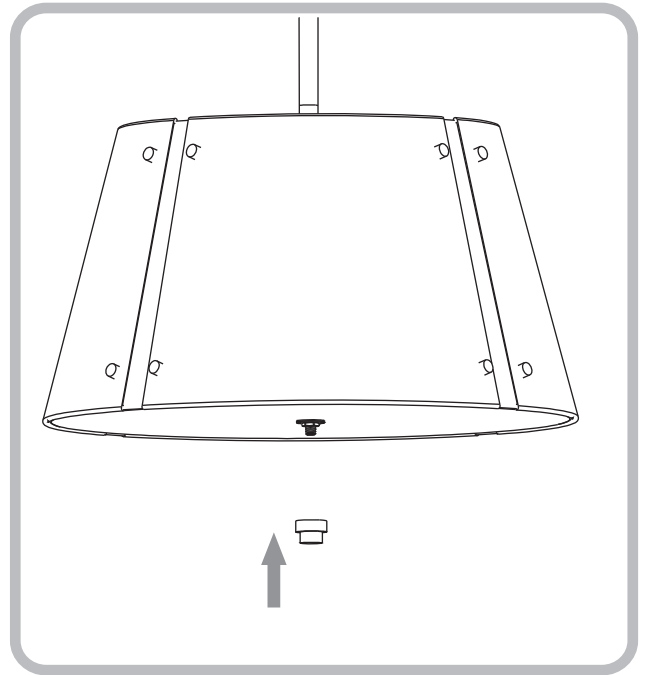
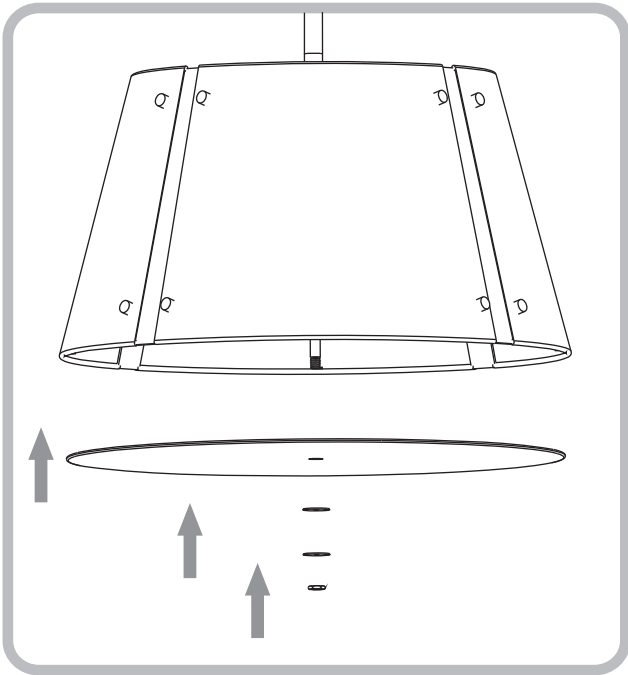
STEP 4



STEP 5



STEP 6



STEP 7

