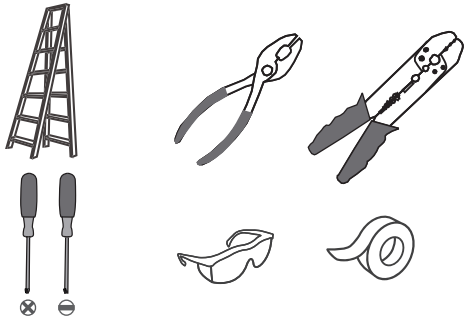
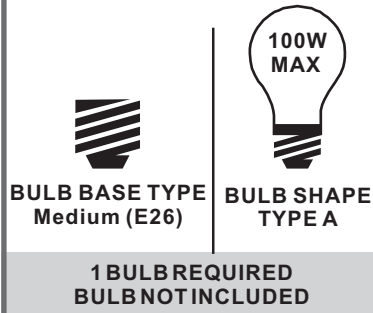


Tools Required



Light Source



**Fixture Height Adjustable
19.25" to 55.25"**

⚠ Warnings and Cautions

Turn off the electricity at the circuit breaker before installation. Consult a licensed electrician if in doubt about installation.

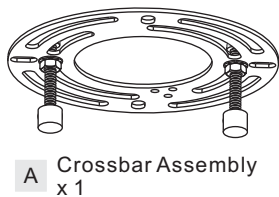
Turn off power to the fixture and allow the bulbs to cool before replacing.

Package Contents

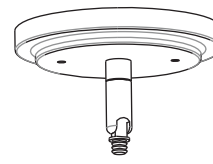
Preparation: Identify and inspect all parts before beginning the installation.

Missing or damaged parts? Contact your original place of purchase.

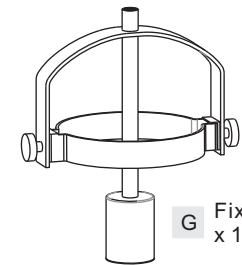
PARTS BAG



- B** Outlet Box Screw x 2
- C** Wire Connector x 3



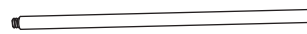
D Ceiling Canopy x 1



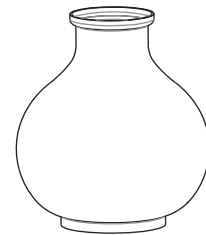
G Fixture Body x 1



E 6" L Rod x 2



F 12" L Rod x 2



H Shade x 1

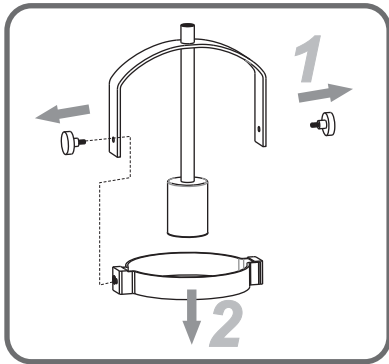
Table of Contents

| Shade | Crossbar Assembly | Downrod | Wiring | Ceiling Canopy | Bulb |
|--------|-------------------|---------|--------|----------------|--------|
| | | | | | |
| STEP 1 | STEP 2 | STEP 3 | STEP 4 | STEP 5 | STEP 6 |

STEP 1

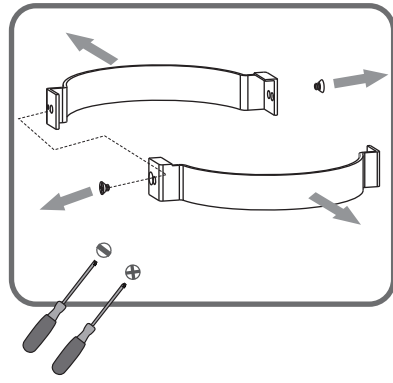
1

Remove holder



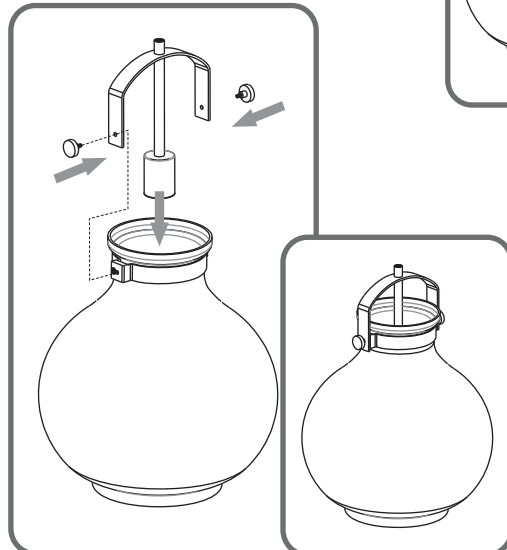
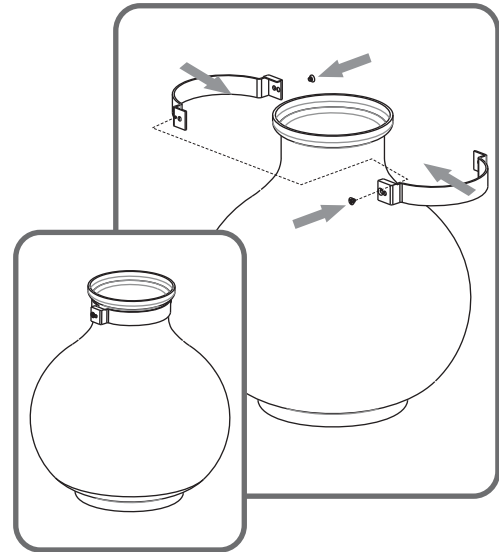
2

Separate holders



3

Install holders to shade



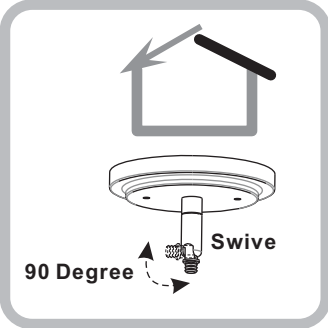
Install arm to holders

4

STEP 2

1

**Step 1
Install crossbar assembly**

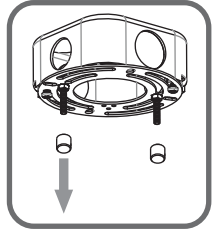


90 Degree Swive

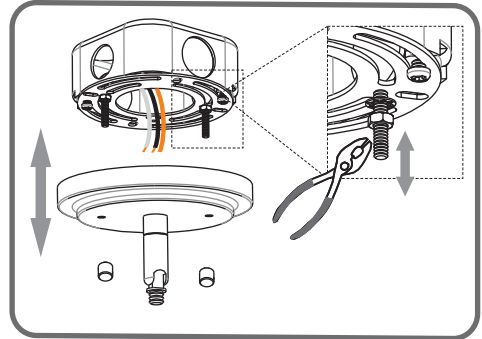
For angled ceilings,
Swivel opening towards wall.

2

**Step 2 - 3
Test fitting ceiling canopy to
mounting screws**



3

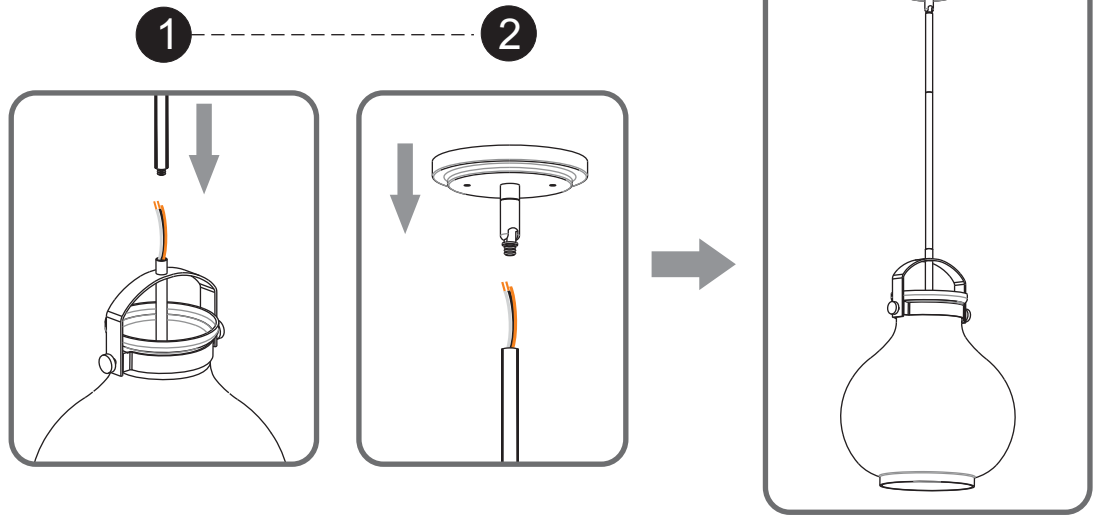
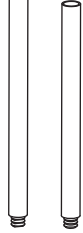


STEP 3

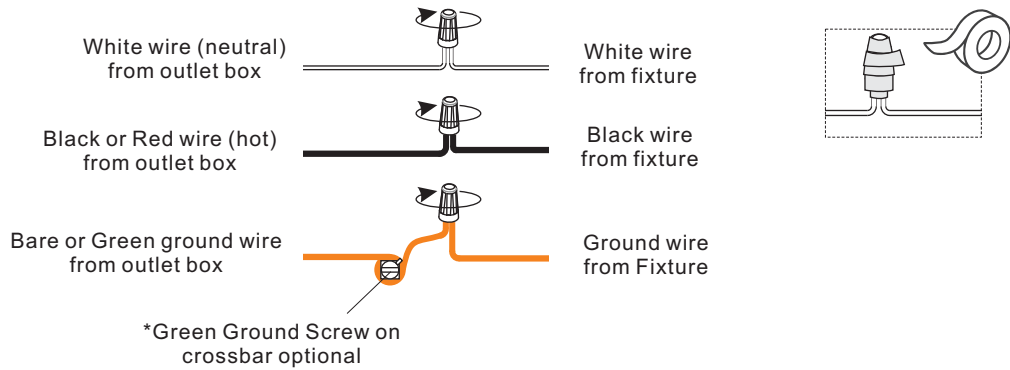
Optional Rods

8' ceiling:
(2) 12"L rods

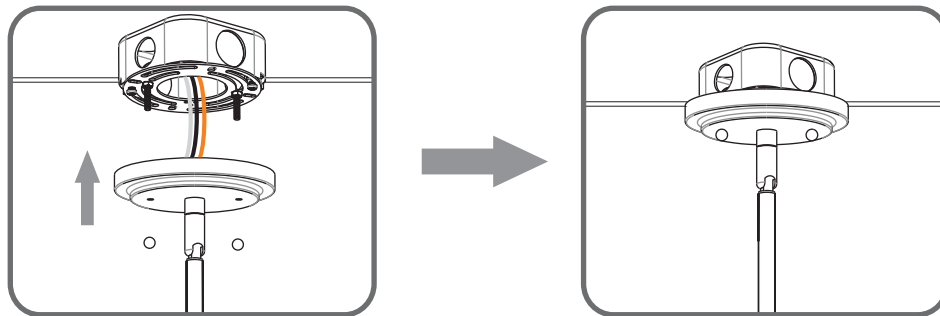
9' ceiling:
(2) 6"L + (2) 12"L rods



STEP 4



STEP 5



STEP 6

