

Tools Required: Flathead screwdriver, Phillips screwdriver, pliers, wire cutters, wire strippers, electrical tape, safety glasses.

Bulb Recommended: (8) Medium Base 100W bulbs Maximum, Alternate bulb (8) 23W CFL Maximum

Estimated Assembly Time: 20-30 minutes

Preparation: Identify and inspect all parts before beginning installation. Check package content list and diagrams below to be sure all parts are present. If any parts are missing or damaged, do not attempt to assemble, install, or operate the fixture. Contact customer service for replacement parts.

⚠ Warnings and Cautions

Turn off electricity at circuit breaker or main fuse box before installation. Consult a licensed electrician if in doubt.

These instructions are provided for your safety. It is very important you read them completely before installing the fixture. We strongly recommend that a licensed, professional electrician perform the installation.

Disconnect fixture from power source before replacing bulbs. Make sure bulbs are given sufficient time to cool before removal. Do not subject glass parts to any shock while in operation or shattering may result.

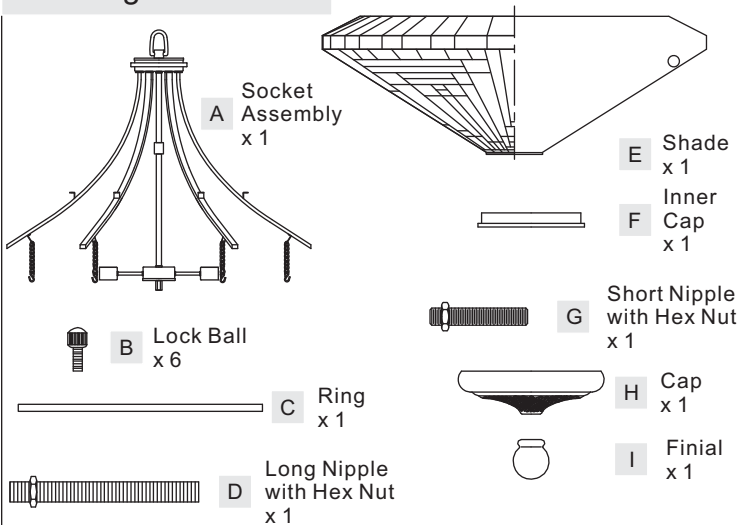
⚠ Care of Tiffany Style Shade

A new tiffany lamp shade has an oil film applied to the shade that protects the tiffany shade from scratches during shipment. If the oil applied is too heavy you can remove the excess oil film with a paper towel. Gently wipe away the excess oil.

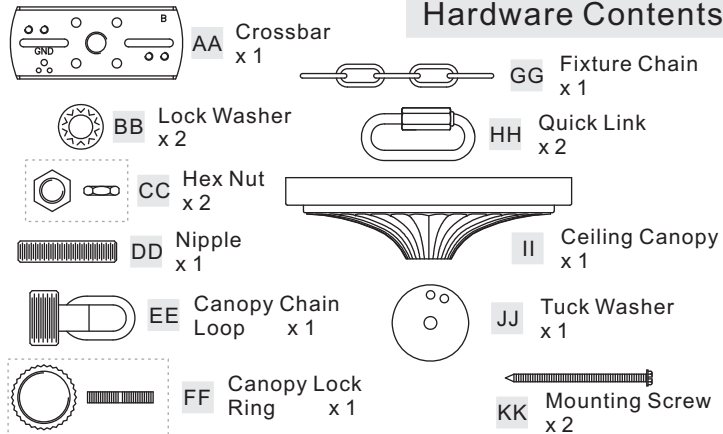
For general cleaning of tiffany shades use a gentle lemon oil-based furniture polish applied to a soft cloth and wipe gently.

If a white powder appears on the soldered joints of the tiffany shade this is a normal oxidation process. Use a small amount of lemon oil or mineral oil applied directly to oxidized areas and the soldered area will return to like new.

Package Contents



Hardware Contents



STEP 1 - Install Ring

- Unfold support arms on fixture assembly to proper locations.
- Line up the hole on the Ring (C) and the mounting hole on the Side Arm on the Socket Assembly (A), secure by threading Lock Ball (B) into the Side Arm, hand tighten until snug.

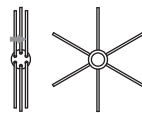
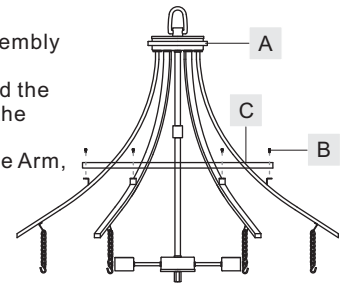


Figure 1



STEP 2 - Install Crossbar and Ceiling Canopy

- Finial x 1
* Pliers is required for this step.
- Drill a 5/8" diameter clearance hole on the top inside center of the Outlet Box and through the Structural Support Member. Place Crossbar (AA) onto Outlet Box and line up mounting holes with a set of holes on Crossbar (AA). Thread Outlet Box Screws (not supplied) into the mounting holes on the Outlet Box and tighten until snug to secure the Crossbar (AA). By using a screwdriver, thread Mounting Screws (KK) into the Structural or Bridging Member and tighten until snug.
 - Thread one Hex Nut (CC) to one end of the Nipple (DD) until it is at least 0.25" from the end. Pass one Lock Washer (BB) over the end of the Nipple (DD) and thread the Canopy Chain Loop (EE) onto the Nipple (DD). By using pliers, thread the Hex Nut (CC) against the Canopy Chain Loop (EE) and hand tighten until snug.

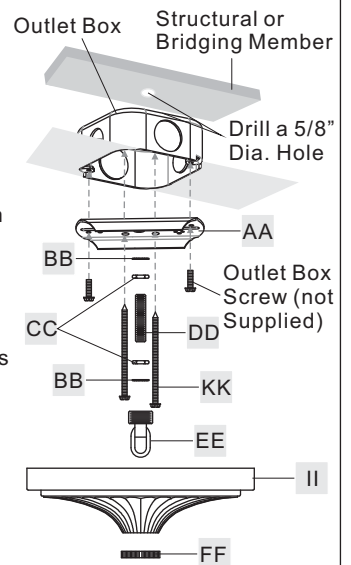


Figure 2

Thank you for purchasing a Quoizel product.
Need assistance with parts or assembly? Call Quoizel customer service at 1-631-273-2700
or visit us on-line at www. quozel. com

- C. Thread another Hex Nut (CC) to the middle of the Nipple (DD). Place another Lock Washer (BB) over the Nipple (DD) and then thread the Nipple (DD) into the Crossbar (AA) until the Nipple (DD) is about 0.375" above the Crossbar (AA).
- D. Remove the Canopy Lock Ring (FF) from the Canopy Chain Loop (EE). Place the Ceiling Canopy (II) over the Canopy Chain Loop (EE) against the ceiling to determine the correct position of the Nipple (DD). Thread the Canopy Lock Ring (FF) onto the Canopy Chain Loop (EE). Adjust the Nipple (DD) to allow the Ceiling Canopy (II) to rest against the ceiling when held in place by the Canopy Lock Ring (FF).
- D. Remove the Canopy Lock Ring (FF) and the Ceiling Canopy (II). Tighten the Hex Nut (CC) against the Crossbar (AA) to secure in place.

Chain (GG) and over Canopy Chain Loop (EE). Tighten Canopy Lock Ring (FF) onto Canopy Chain Loop (EE) until tight.

Suggested chain length for Ceiling height :
10' ceiling : use 7 links of chain and 2 quick links

STEP 3 - Install Fixture Chain, Safety Cable and Ceiling Canopy

- A. Adjust Fixture Chain (GG) to your desired length by removing the links if needed.
* Pliers is required for this step.
- B. With Fixture Chain (GG) not attached to Fixture Loop (A) and Canopy Chain Loop (EE), pull supply wires and safety cable through Fixture Chain (GG) alternating links. After wires and safety cable are through Fixture Chain (GG), pull Supply Wires, Ground Wire and safety cable through Canopy Lock Ring (FF) and Ceiling Canopy (II) in order.
- C. Attach one end of Fixture Chain (GG) to Fixture Loop (A) with one Quick Link (HH). Lift fixture and Fixture Chain (GG) up and attach other end of Fixture Chain (GG) onto Canopy Chain Loop (EE) with another Quick Link (HH). The fixture will now hang safely. Close chain loop at Ceiling Canopy Loop (EE).
- D. Feed Supply Wires, Ground Wire and Safety Cable through Canopy Chain Loop (EE) and Nipple (DD) into Outlet Box. Cut wires leaving approximately 8" of wire extending from the Outlet Box.
- E. Refer to Step 4 for safety cable installation.
- F. Refer to Step 5 for wire connections.
- G. Raise Ceiling Canopy (II) and Canopy Lock Ring (FF) up Fixture

STEP 4 - Install Safety Cable

- A. Push all slack Safety Cable through center hole of Outlet Box, Structural or Bridging Member and Tuck Washer (JJ).
- B. Push the Cable down through the 12 O'clock Hole. Leaving 1/2" of slack. Then push the Cable up through the 1 O'clock Hole and tuck it under the cable between the Center Hole and the 12 O'clock Hole.
- C. Pull all of excess cable through all of the holes until the Tuck Washer is very close to the Structural or Bridging Member. Remove as much slack as possible out of the Tuck Washer. About 1/2" of slack between Tuck Washer and the hole is acceptable.

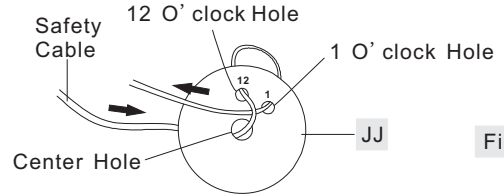


Figure 4

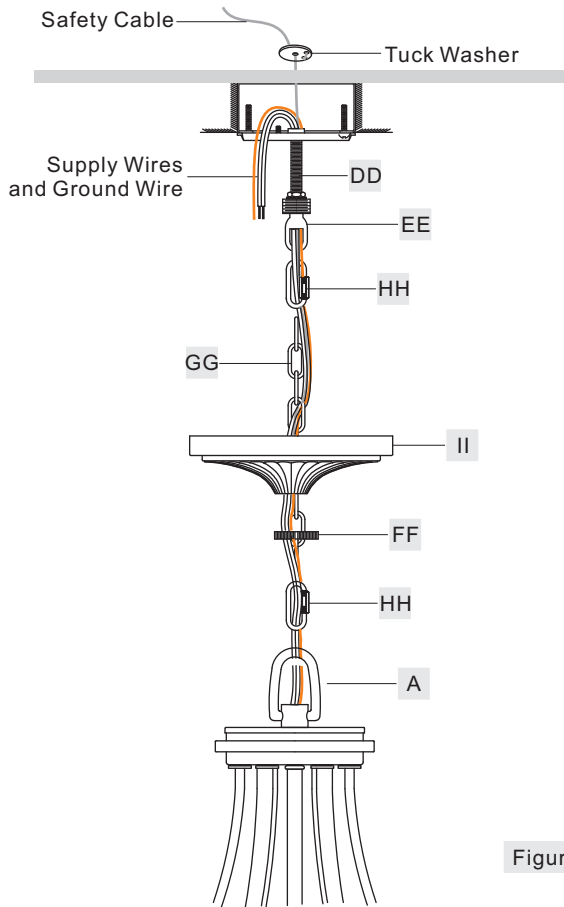


Figure 3

STEP 5 - Wire Connections

- A. Use standard wire connectors (not included) to make all wire connections. (Connectors are not included with fixture.) Twist connectors until wires are tightly joined together. Wrap each connection with approved electrical tape and carefully stuff all the connected wires into outlet box.

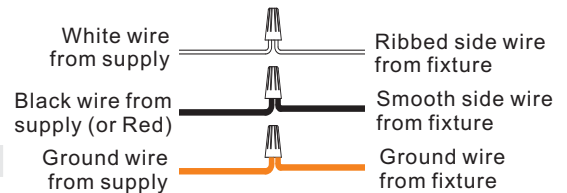


Figure 5

STEP 6 - Install Shade, Cap and Bulb

Quoizel recommends (2) people for this step.

- A. Thread one end of Long Nipple with Hex Nut (D) into the hex coupling on the bottom center of Socket Assembly (A). Hand tighten until snug.
- B. Place Shade (E) over the end of Long Nipple with Hex Nut (D). With one person hold the Shade (E), another person attach Chain to the Loops in Shade (E).
- C. Place Inner Cap (F) onto the end of Long Nipple with Hex Nut (D) and secure by threading hex nut end of Short Nipple with Hex Nut (G) into the end of Long Nipple (D). Place Cap (H) onto Short Nipple (G) and secure with Finial (I). Hand tighten until snug.
- D. This fixture uses standard bulb with standard screw base. Maximum 100 watts. Insert bulb and screw snugly into place.

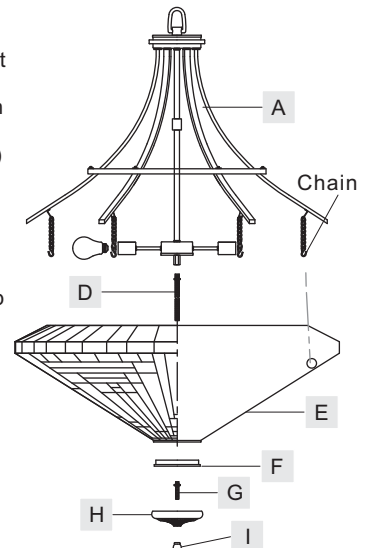


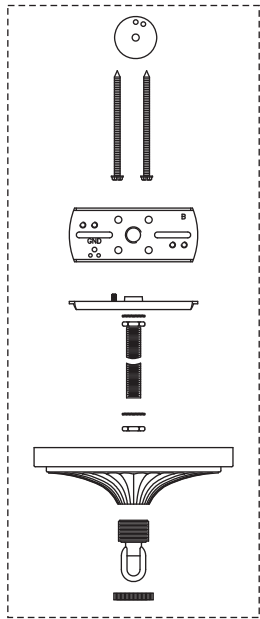
Figure 6

Your fixture is now assembled and ready to use. Enjoy!

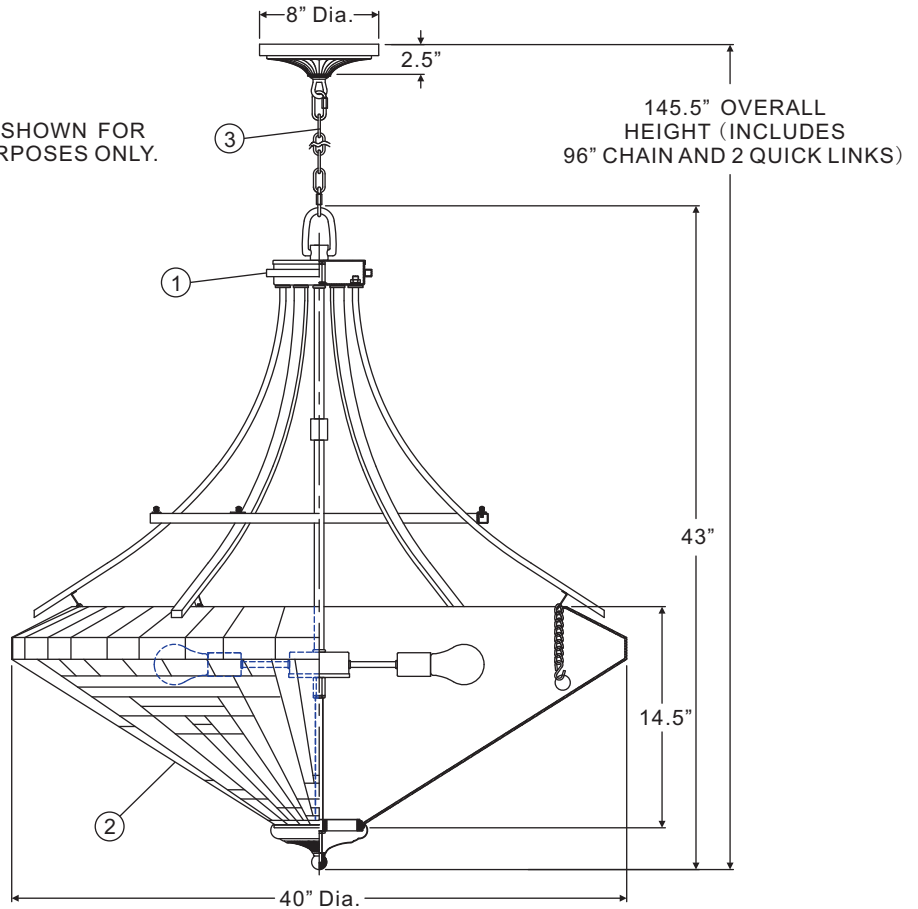
Thank you for purchasing a Quoizel product.
Need assistance with parts or assembly? Call Quoizel customer service at 1-631-273-2700
or visit us on-line at www.quoizel.com

TFST2840VB

FINISH: VINTAGE BRONZE



NOTE: ONE LIGHT SHOWN FOR ILLUSTRATION PURPOSES ONLY.



145.5" OVERALL HEIGHT (INCLUDES 96" CHAIN AND 2 QUICK LINKS)



(8) 100W Medium Base Bulbs (Not Supplied)

NOTE: ALL DIMENSIONS ARE ROUNDED UP TO THE NEAREST 1/2"

NO.	PART NUMBER	REPLACEMENT PART DESCRIPTION	REQ.
1	12840VBTFST	BASE FOR TFST2840VB	1
2	G3901SH	SHADE TIFFANY 40"D	1
3	M2417CHVB	CHAIN	1

Thank you for purchasing a Quoizel product.
 Need assistance with parts or assembly? Call Quoizel customer service at 1-631-273-2700
 or visit us on-line at www.quoise.com