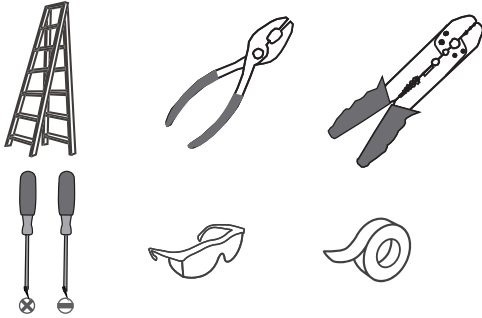


Tools Required



Light Source

30W
LED

Warnings and Cautions

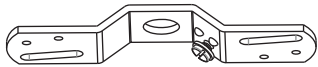
Turn off the electricity at the circuit breaker before installation. Consult a licensed electrician if in doubt about installation.

Package Contents

Preparation: Identify and inspect all parts before beginning the installation.

Missing or damaged parts? Contact your original place of purchase.

PARTS BAG



A Crossbar
x 1



C Outlet Box Screw
x 2



B Mounting Screw
x 2



D Wire Connector
x 3

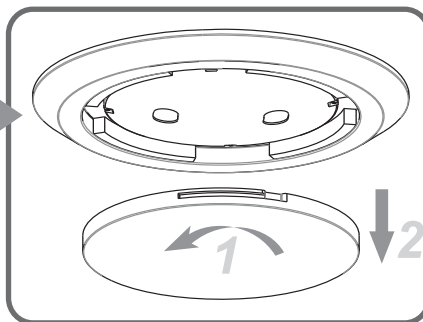
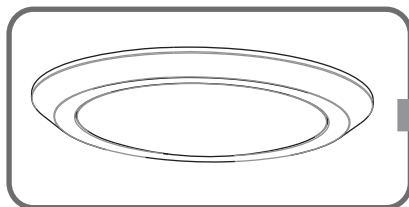


E Fixture Body
x 1

Table of Contents

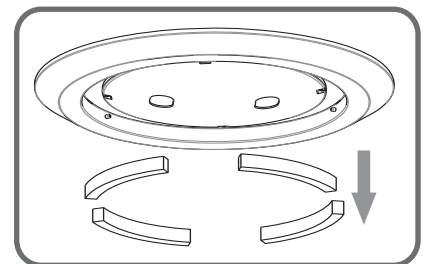
Remove Sponge Strips	Inner Backplate	Lanyard	Wiring	Fixture Body	Shade
STEP 1	STEP 2	STEP 3	STEP 4	STEP 5	STEP 6

STEP 1



1 Remove shade

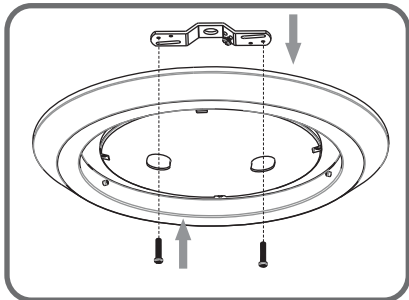
2 Remove sponge strips



STEP 2

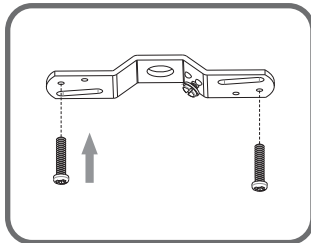
1

Determine mounting holes for mounting screws



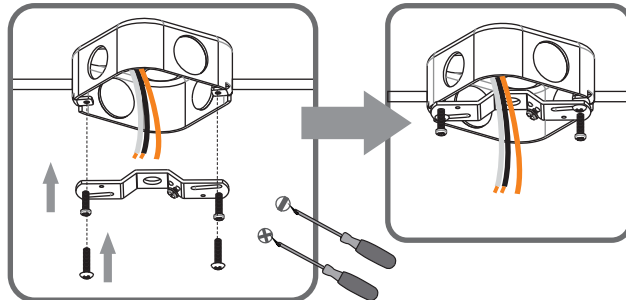
2

Install mounting screws

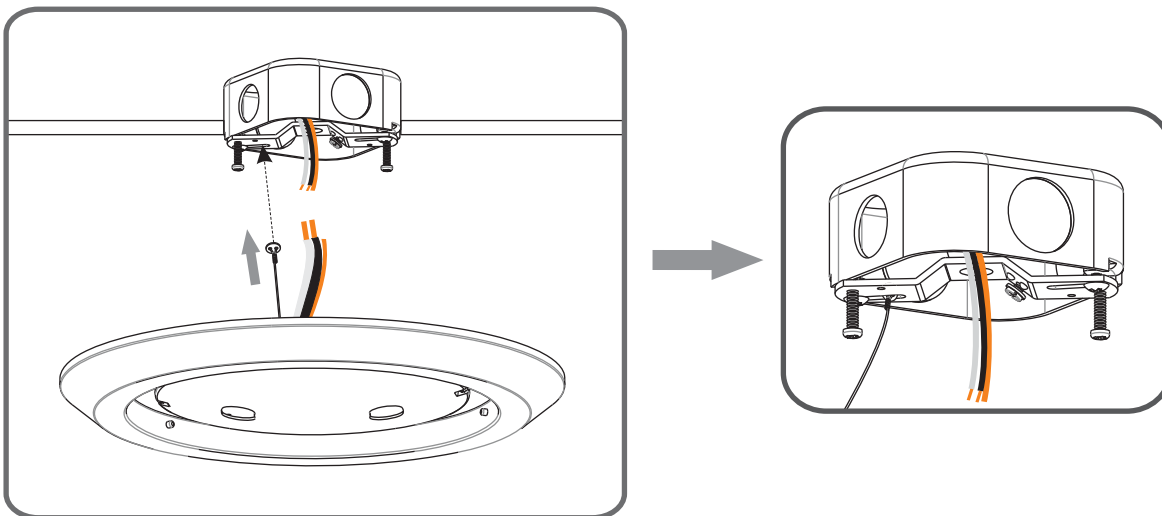


3

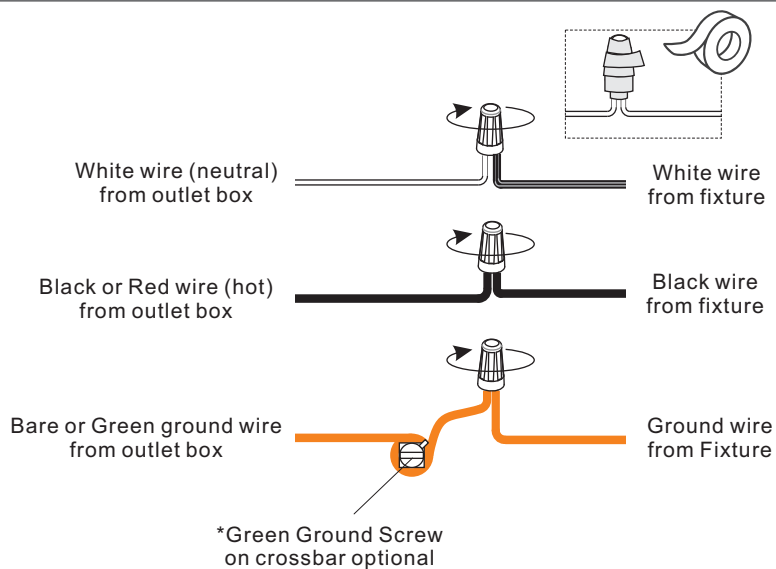
Install Crossbar



STEP 3



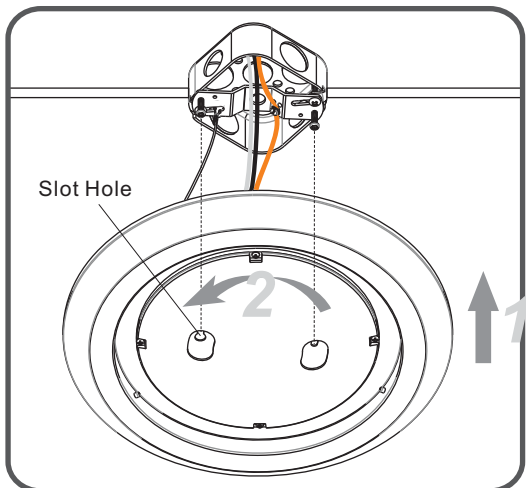
STEP 4



STEP 5

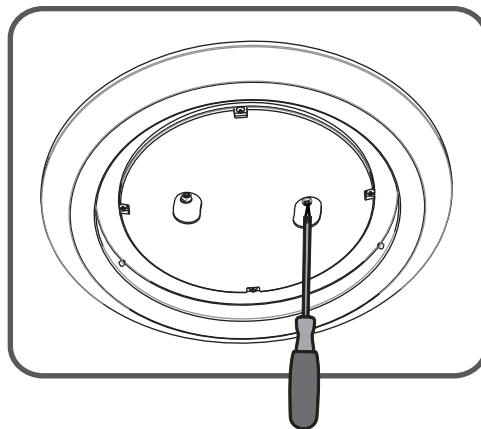
1

Fit slot holes to mounting screws



2

Tighten mounting screws



STEP 6

