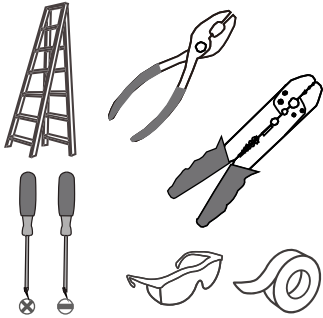
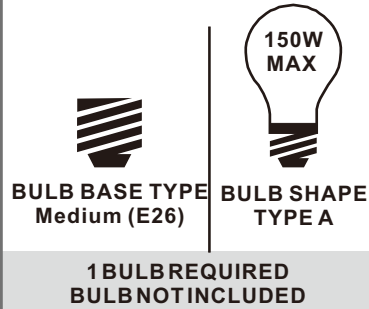


**Tools Required**



**Light Source**



**Warnings and Cautions**

Turn off the electricity at the circuit breaker before installation. Consult a licensed electrician if in doubt about installation.

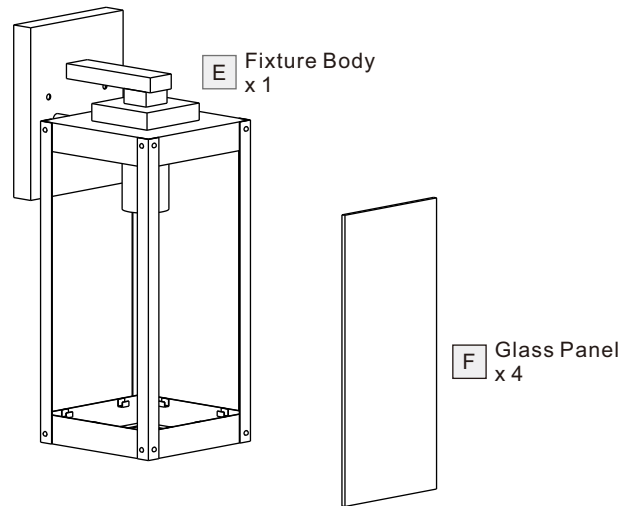
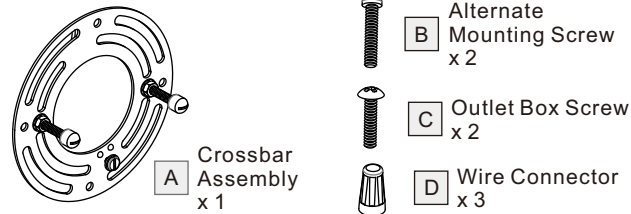
Turn off power to the fixture and allow the bulbs to cool before replacing.

**Package Contents**


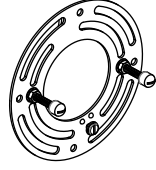
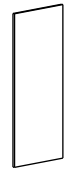
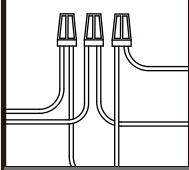
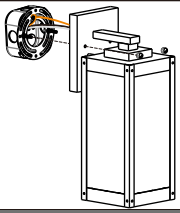
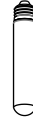
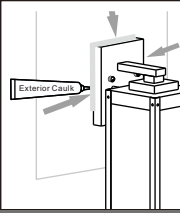
**Preparation:** Identify and inspect all parts before beginning the installation.

Missing or damaged parts? Contact your original place of purchase.

**PARTS BAG**



**Table of Contents**

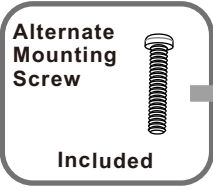
Alternate Mounting Screw	Crossbar Assembly	Glass Panel	Wiring	Fixture Body	Bulb	Caulk
						
<b>STEP 1</b>	<b>STEP 2</b>	<b>STEP 3</b>	<b>STEP 4</b>	<b>STEP 5</b>	<b>STEP 6</b>	<b>STEP 7</b>

**STEP 1**

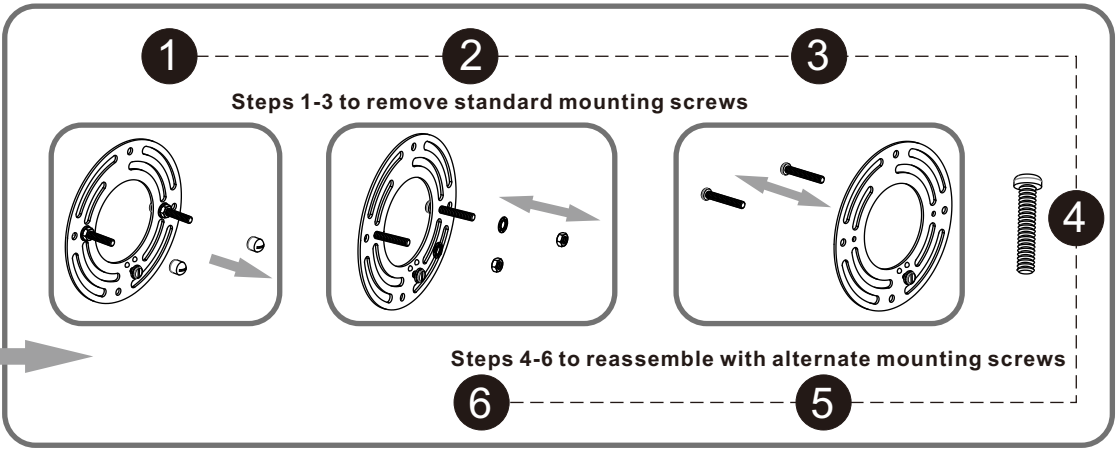
**OPTION 1**



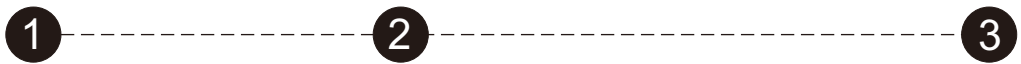
**OPTION 2**



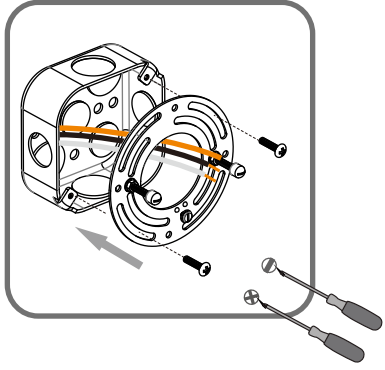
skip to next page



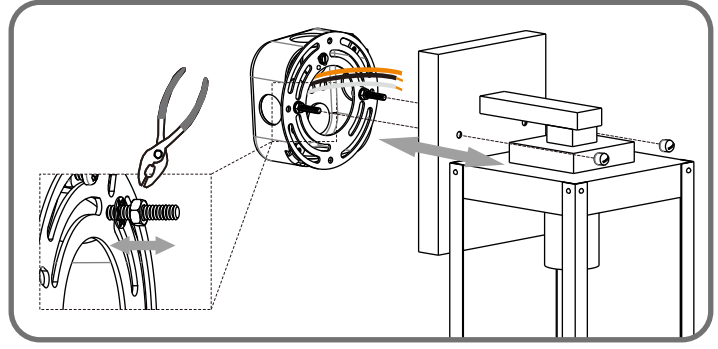
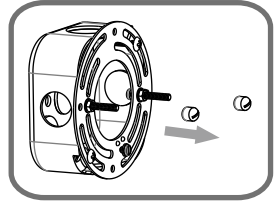
**STEP 2**



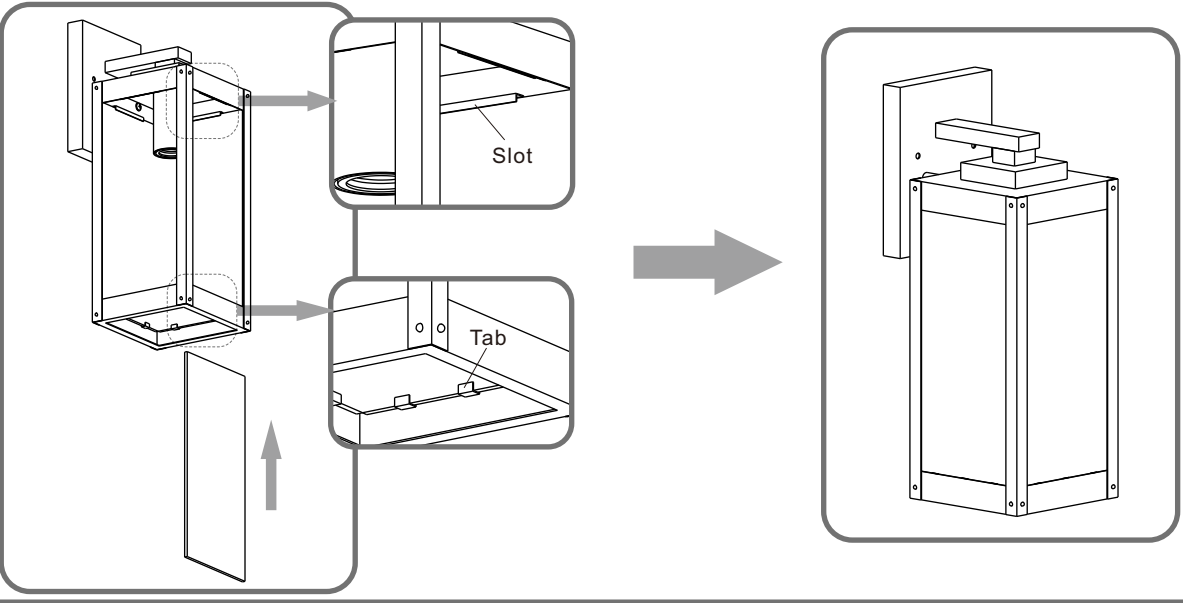
**Step 1**  
Install crossbar assembly



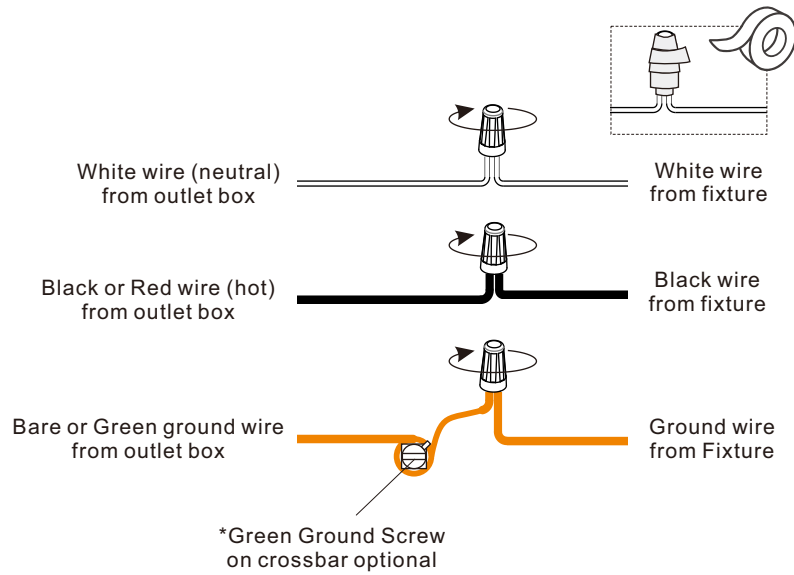
**Step 2 - 3**  
Test fitting backplate to mounting screws



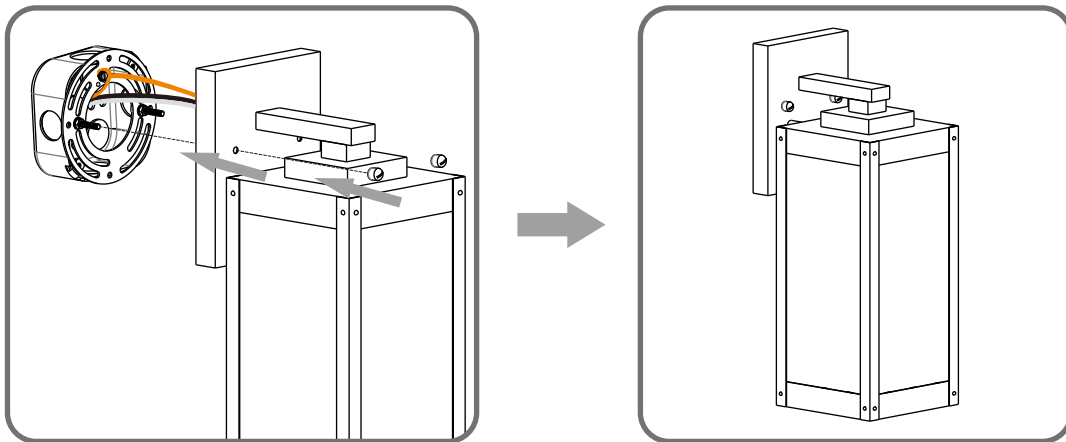
**STEP 3**



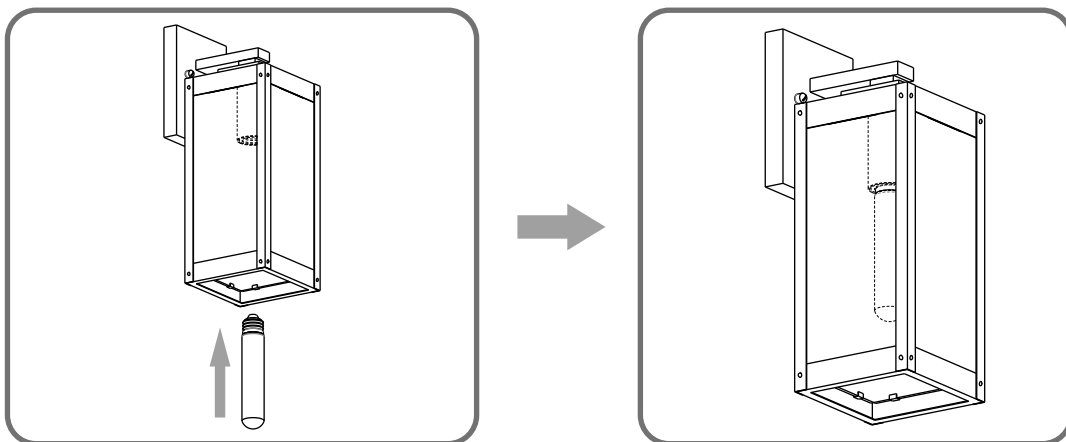
## STEP 4



## STEP 5



## STEP 6



**STEP 7**

