

# SAMUEL HEATH







## Product Data Sheet

V616 / V616-A 3 Hole Basin / Lavatory Filler  
with Pop-Up Waste, High Spout

---



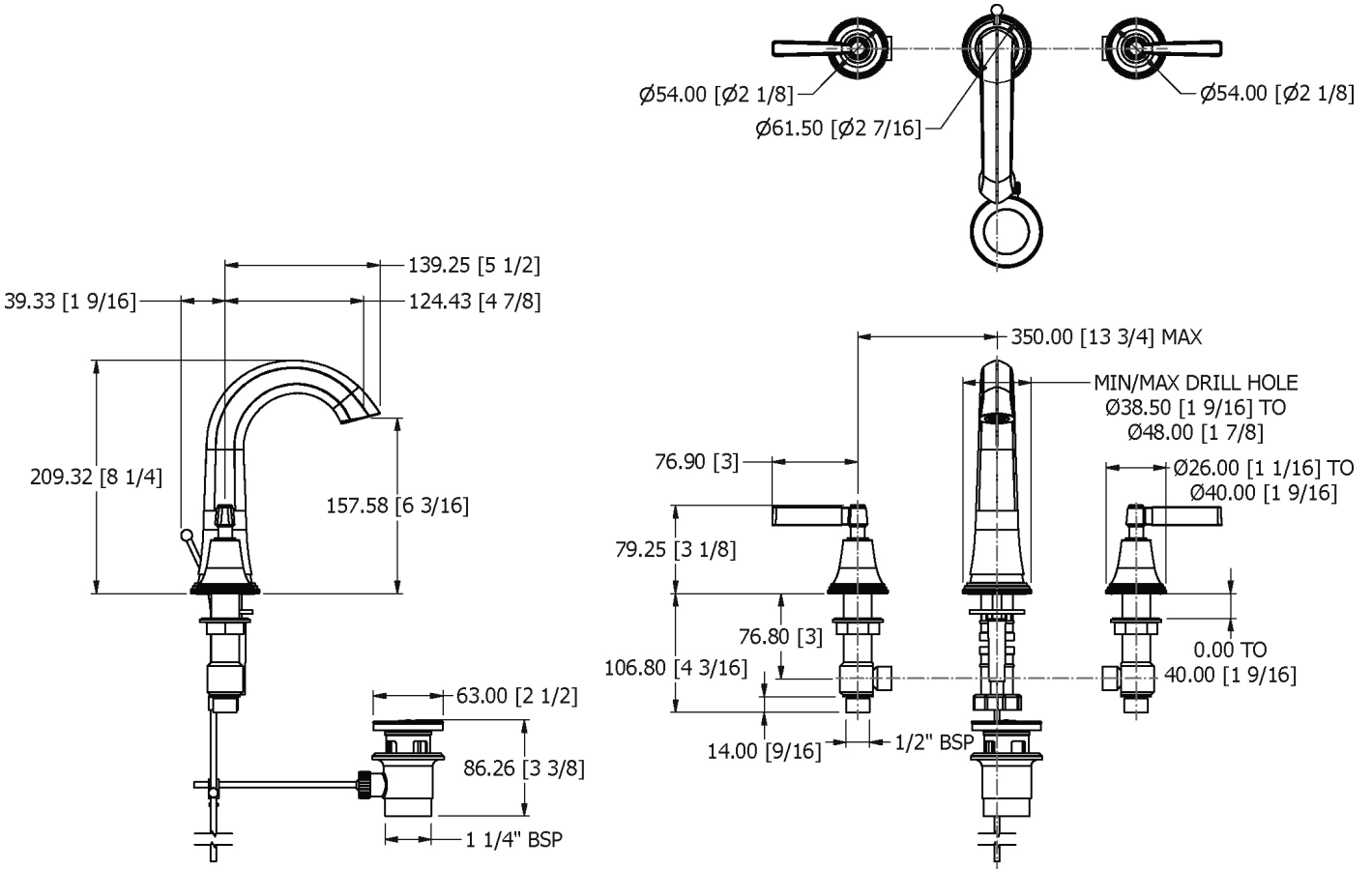
- Available Control Options -

 <p>V6K16M</p>	 <p>V6K16X</p>	 <p>V6K16D</p>
 <p>V6K16MB</p>	 <p>V6K16XB</p>	 <p>V6K16L</p>

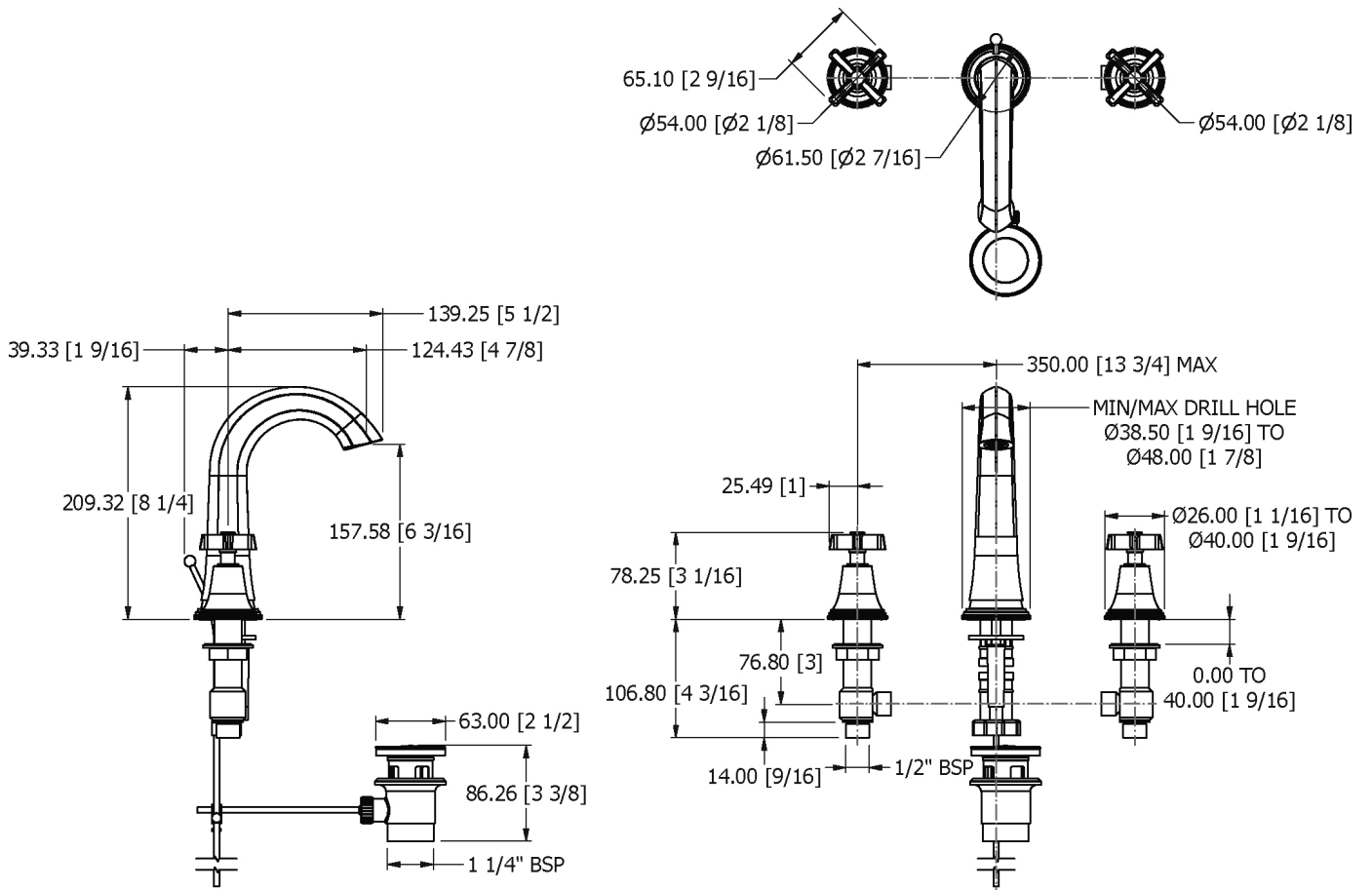


# Dimension Key

## V6K16M / V6K16MB

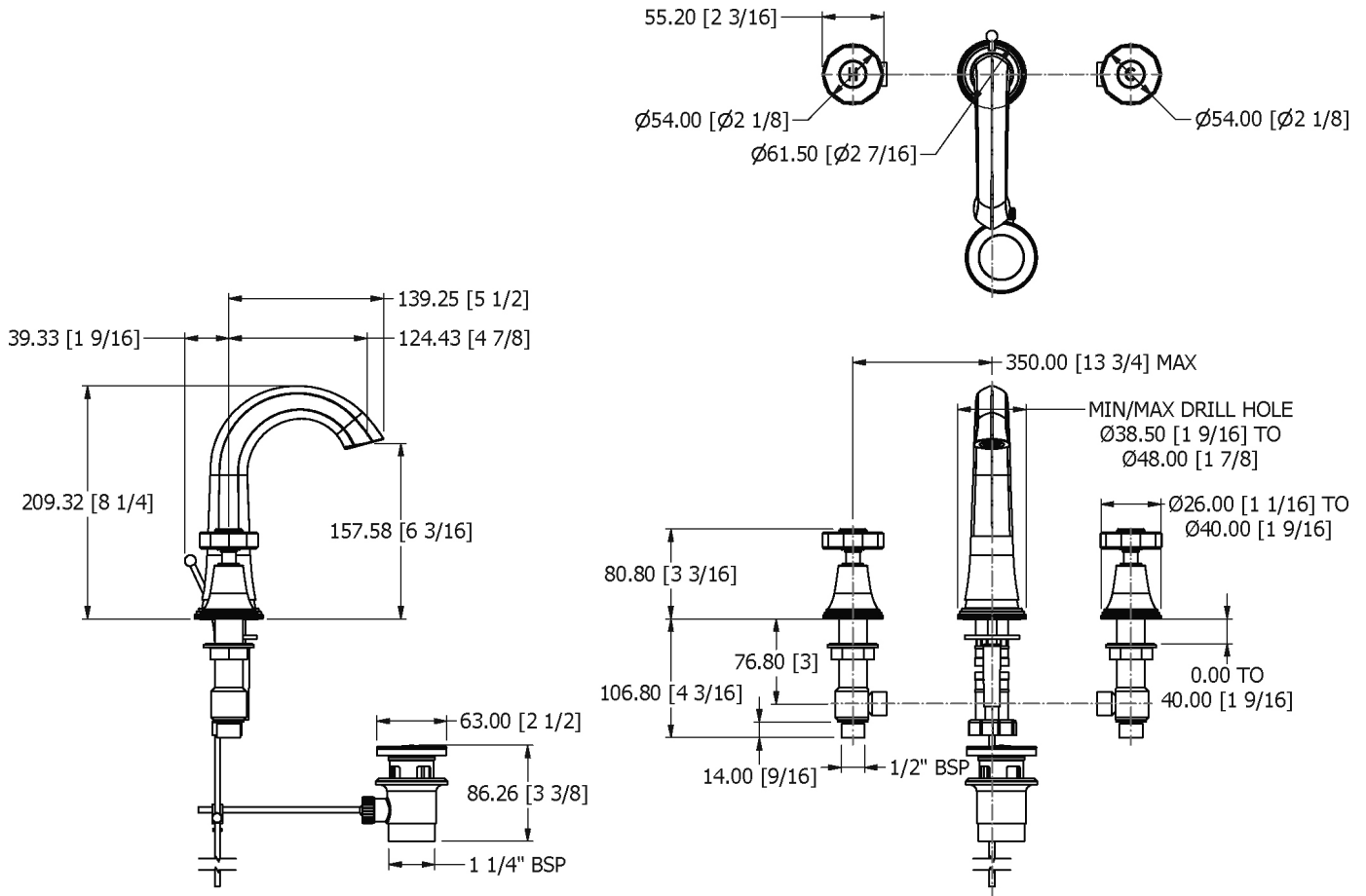


## V6K16X / V6K16XB

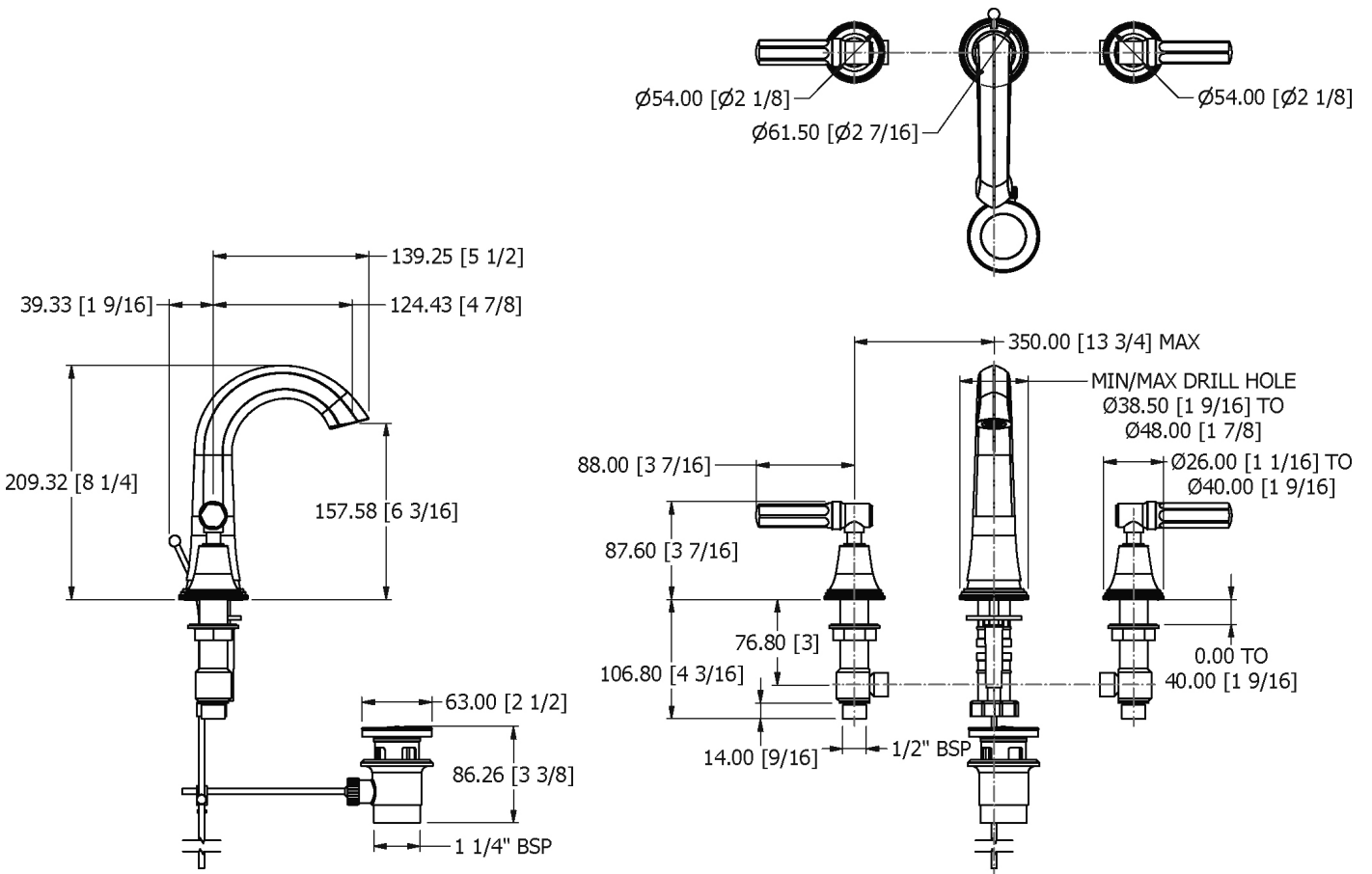


# Dimension Key

## V6K16D

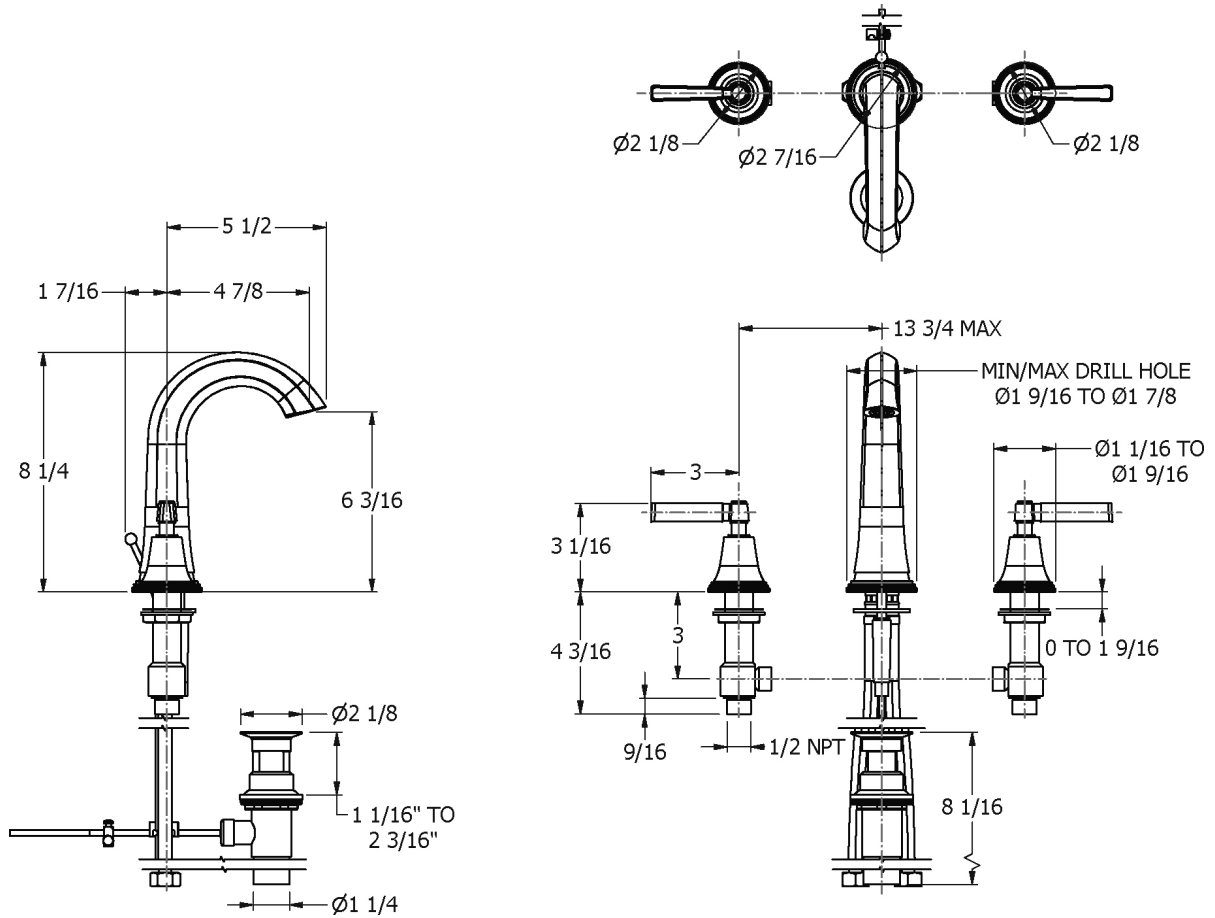


## V6K16L

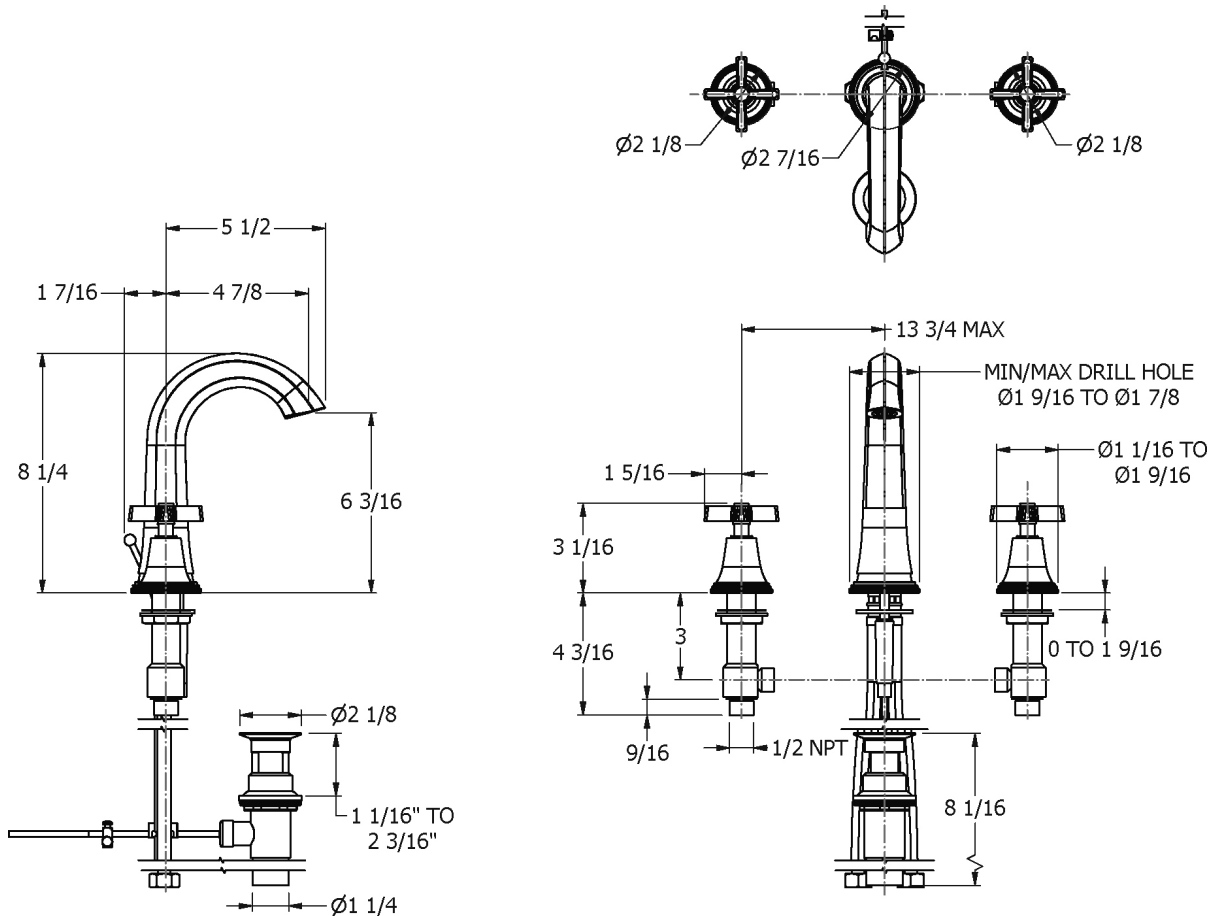


# Dimension Key

## V6KA16M / V6KA16MB

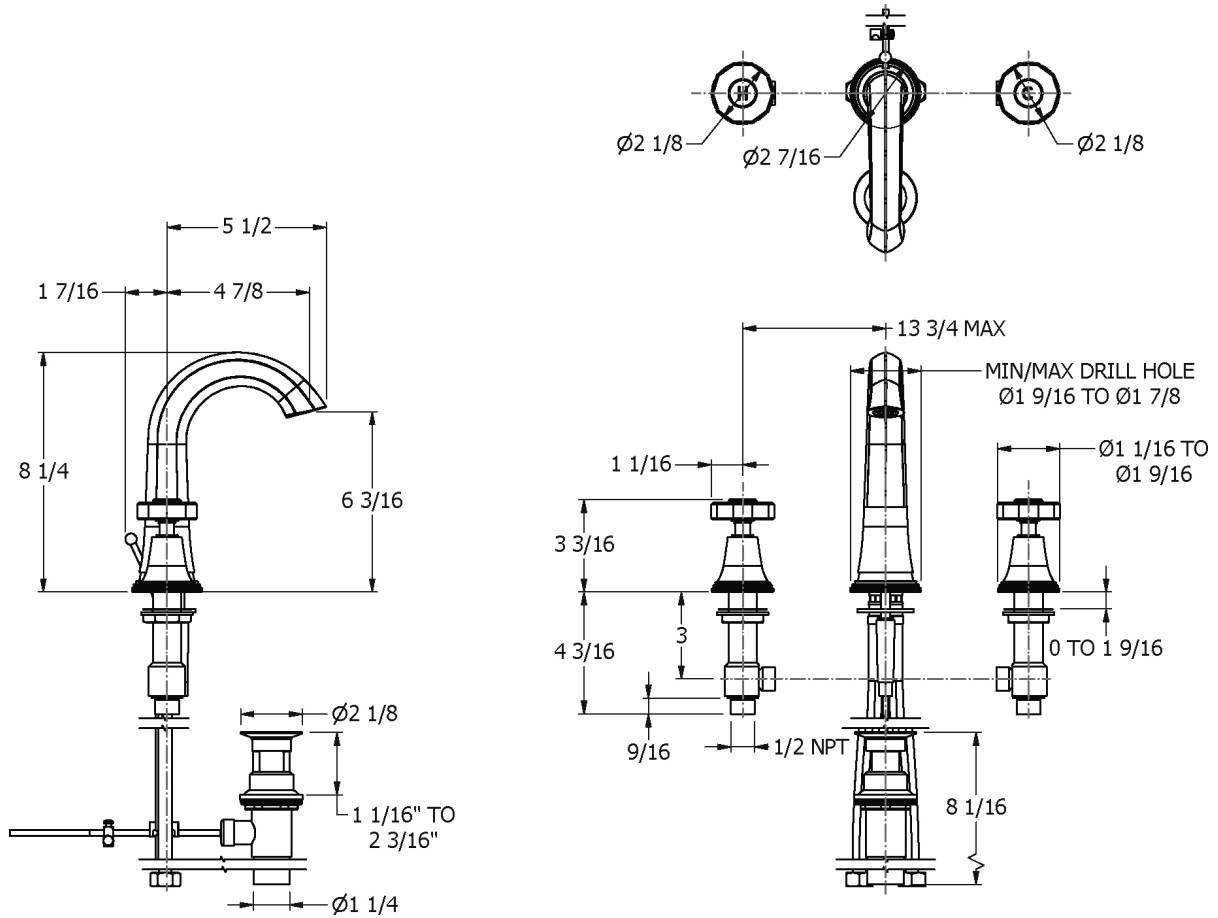


## V6KA16X / V6KA16XB

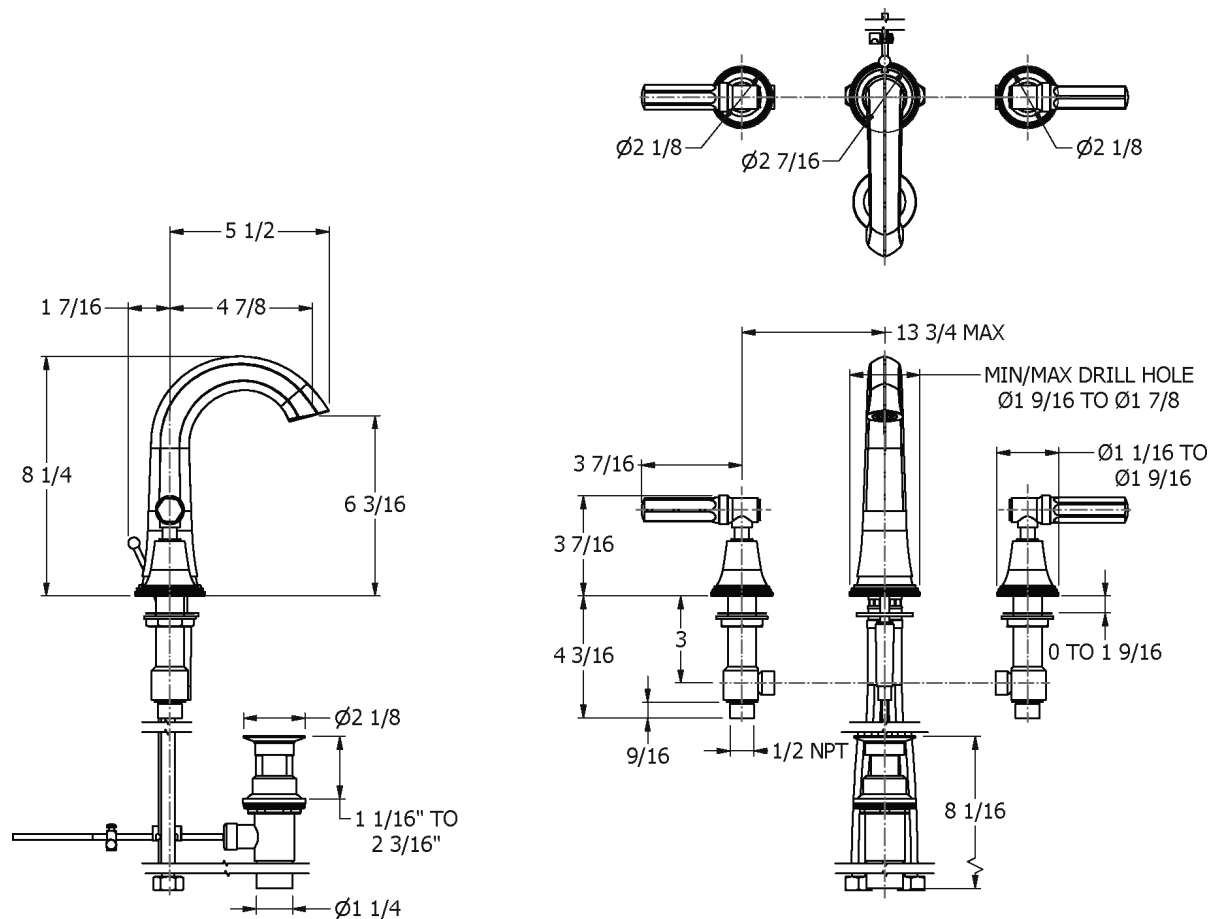


# Dimension Key

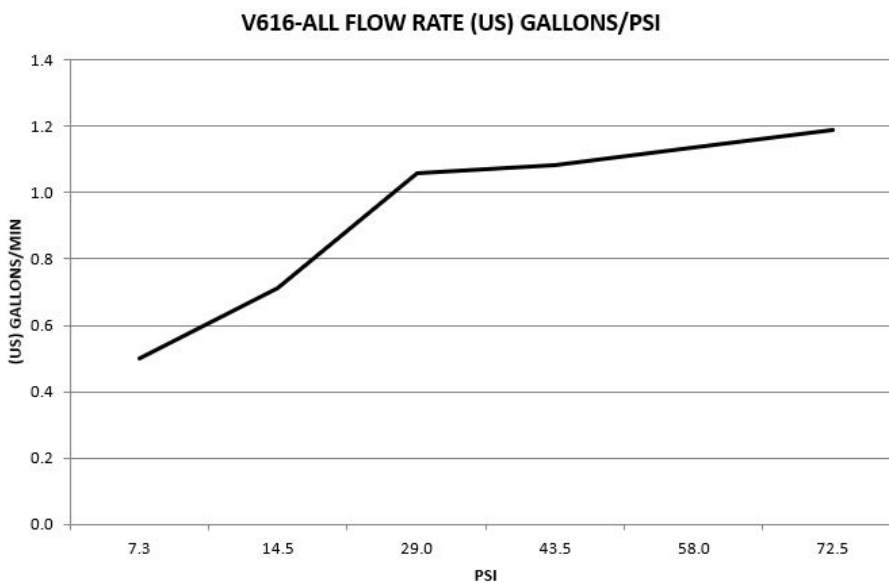
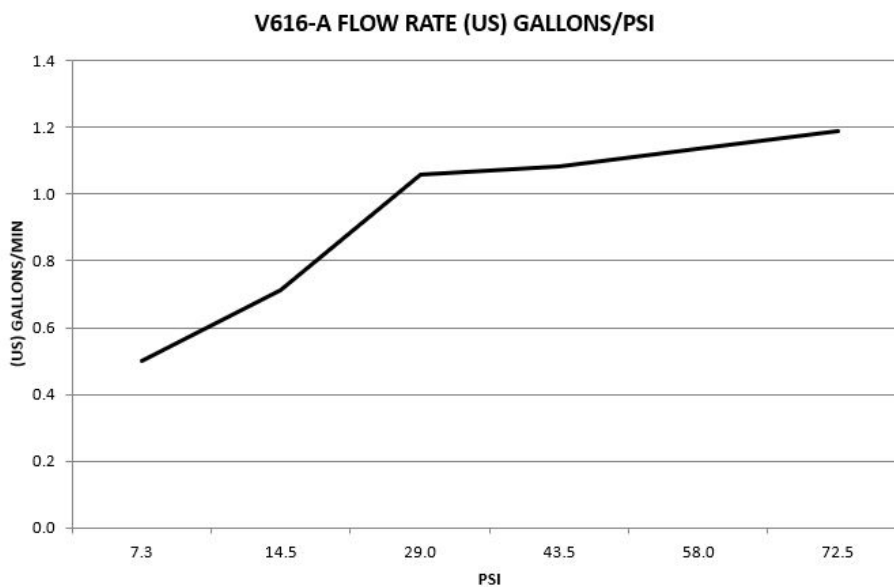
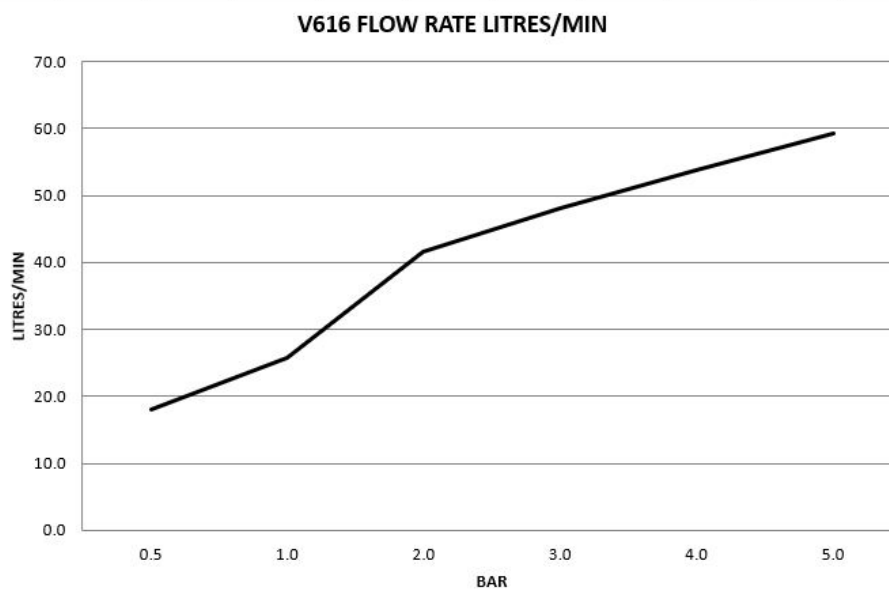
## V6KA16D



## V6KA16L



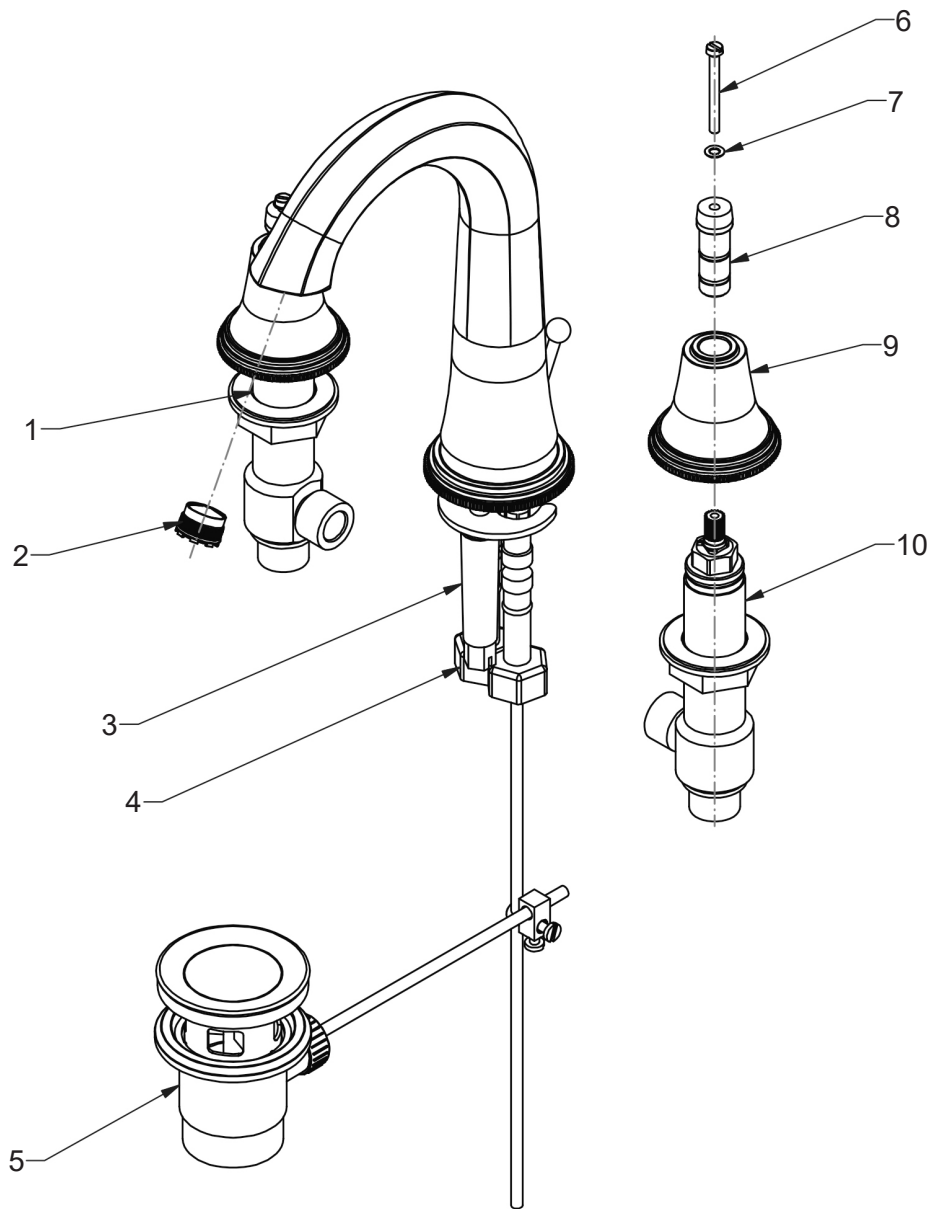
# Flow Rates



The flow rate data provided in this document is indicative of each product and is given in an open outlet condition. Installation design, external connections and fittings not supplied may affect the data provided.

# Spares Information

## V616

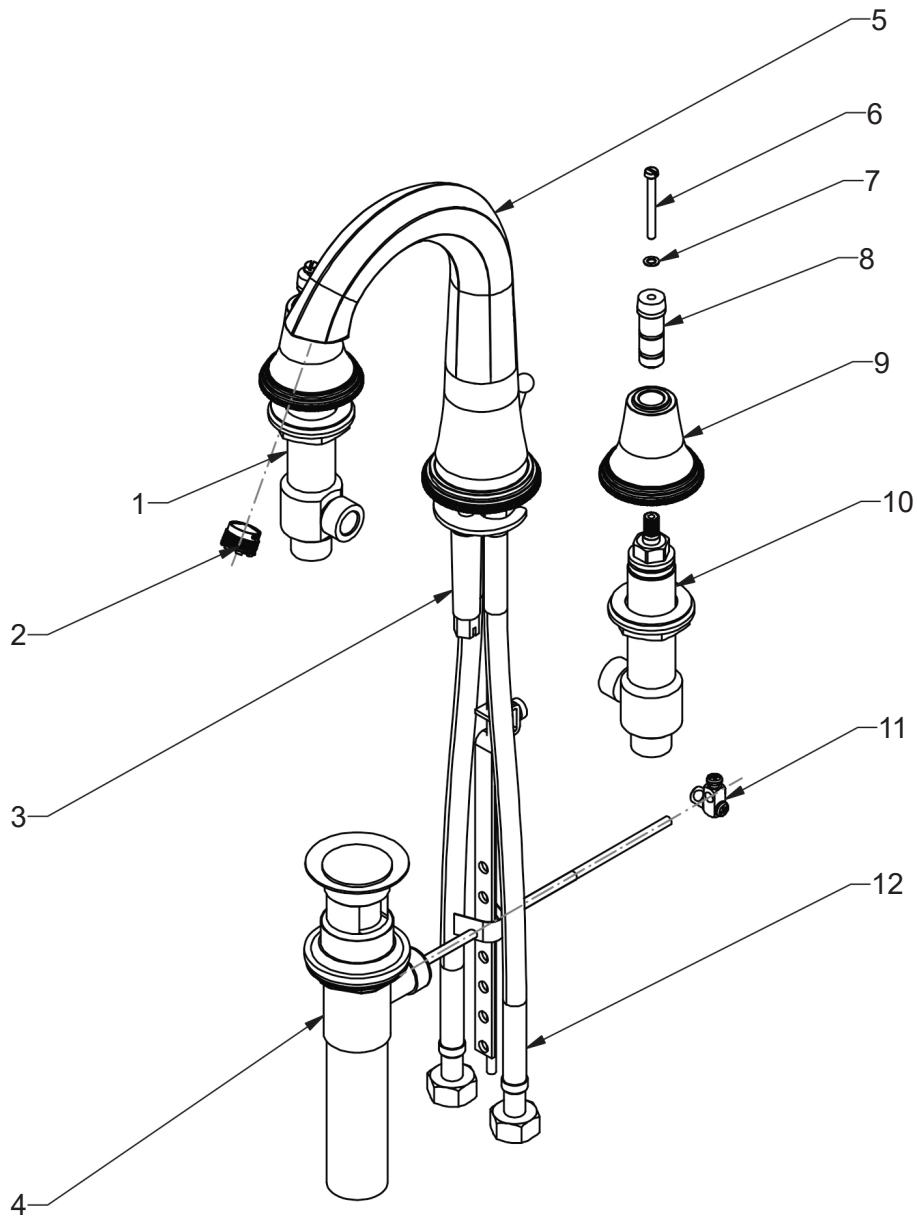


Item	Part No.	Description
1	VS56075	CD Valve (Clockwise Closing)
2	-	Aerator
3	-	Washer Kit
4	-	Flexi Tails
5	-	Pop-Up Waste
6	-	Screw
7	-	Washer
8	-	Spindle
9	-	Side Body
10	VS56074	CD Valve (Anti-Clockwise Closing)



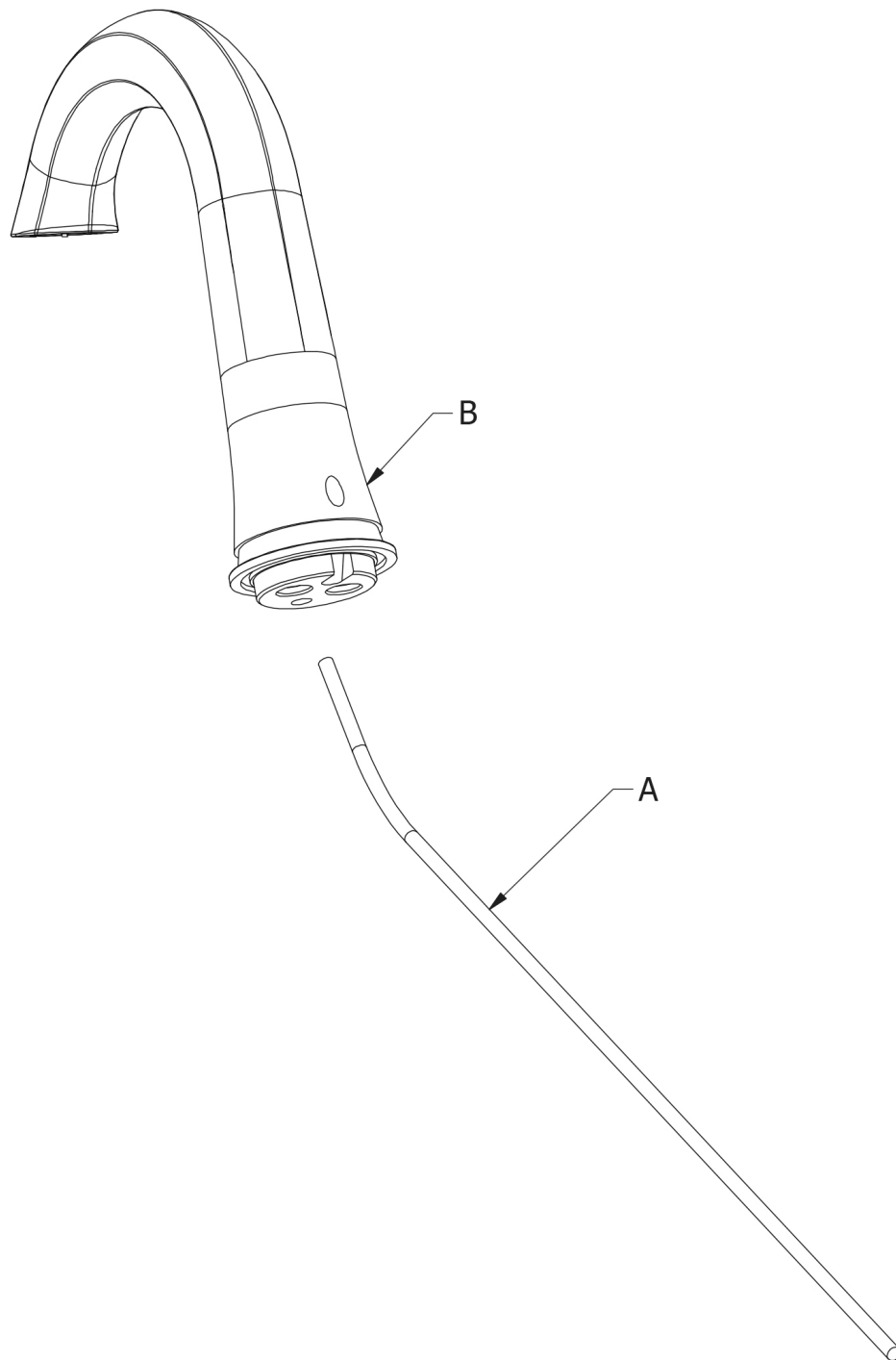
# Spares Information

## V616-A



Item	Part No.	Description	Item	Part No.	Description
1	VS56079	CD Valve (Clockwise Closing)	7	-	Washer
2	-	Aerator	8	-	Spindle
3	-	Washer Kit	9	-	Side Body
4	-	Pop-Up Waste	10	VS56078	CD Valve (Anti-Clockwise Closing)
5	-	Spout Assembly	11	-	Joining Block
6	-	Screw	12	-	Flexi Tails

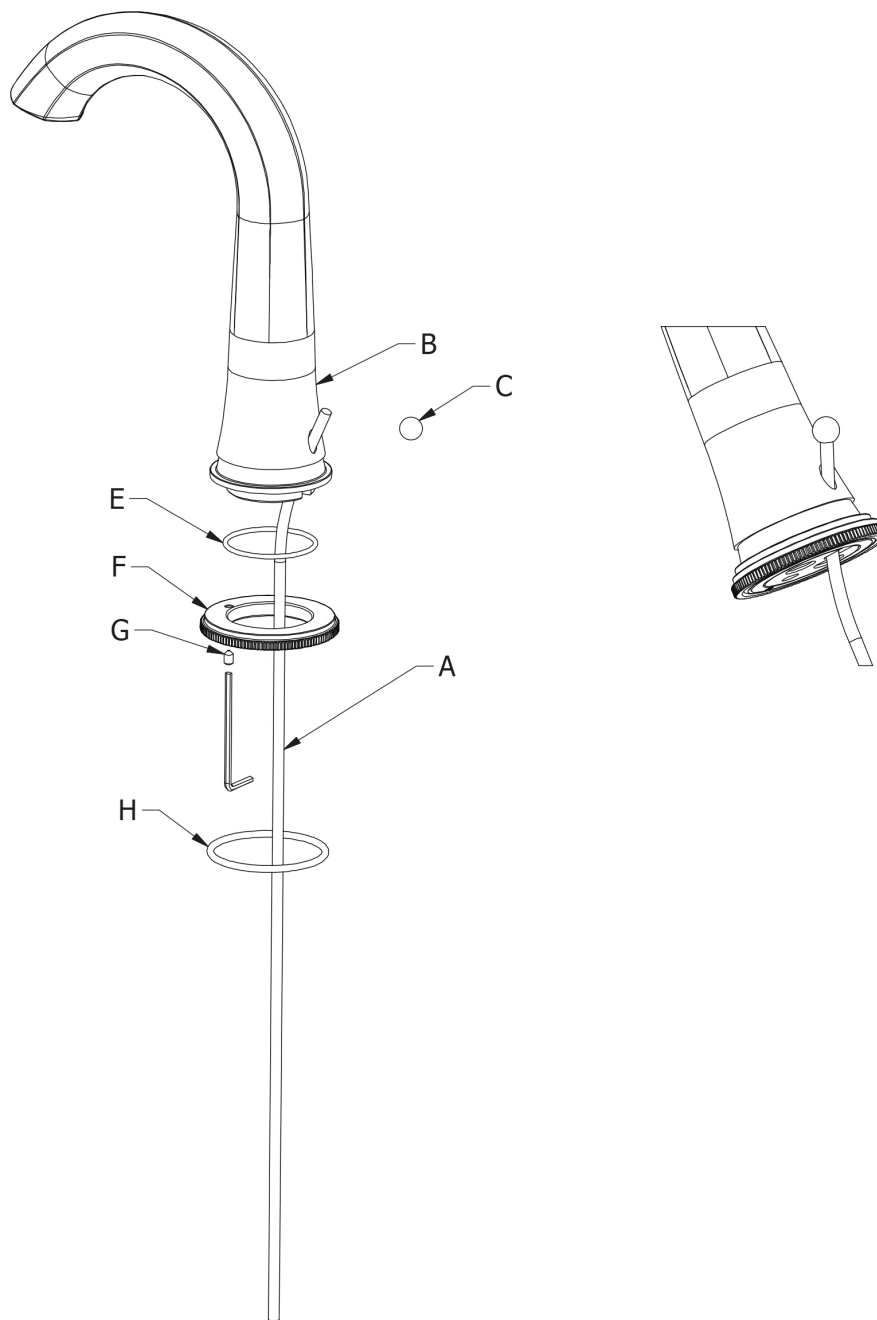
## Installation



1. Insert the short threaded end of the pop up rod (A) into the base of the spout assembly (B) such that it protrudes from the slot in the spout body.

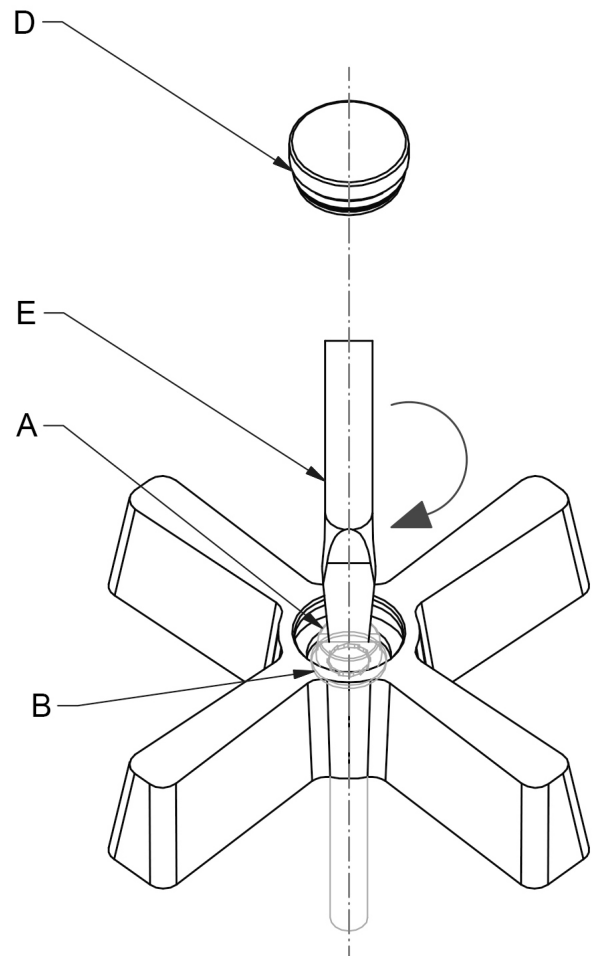
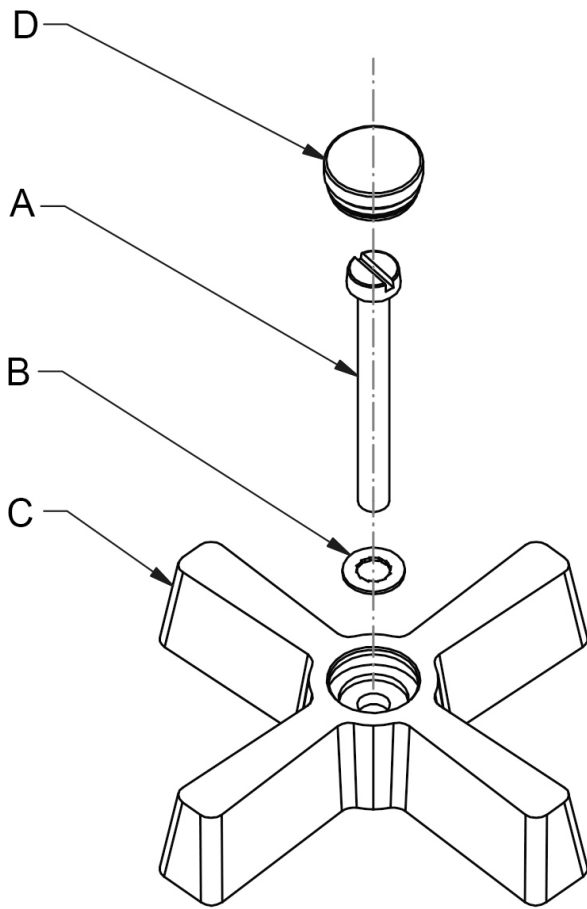
**NOTE:** The pop-up rod (A) can be manipulated to shape under the deck to suit the position of the horizontal rod from the waste.

## Installation



2. Screw the pop up knob (C) onto the rod (A).
3. Place the O-ring (E) into the groove in the base of the spout assembly (B) and screw the base ring (F) into position.
4. Secure the base ring by tightening the grub screw (G) and then place O-ring (H) into the groove in the underside of the base ring (F).

## Control Assembly Instructions

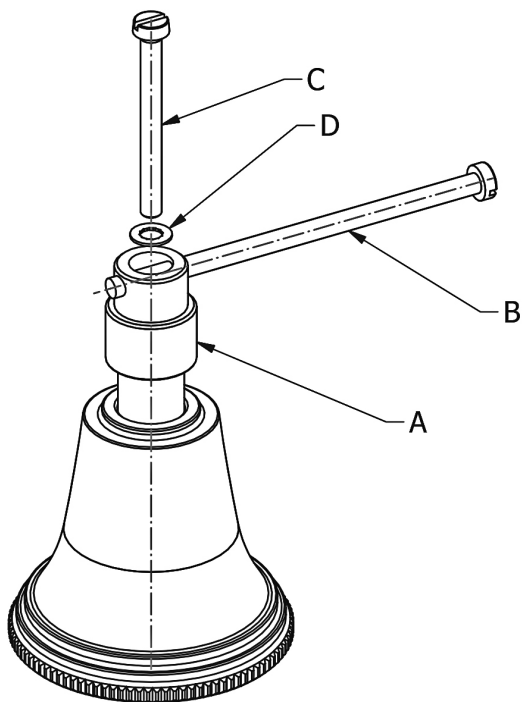


1. Remove screw (A) and washer (B) from spindle
2. Position cross top (C) to tap body and assemble anti-rotational washer (B) followed by screw (A).

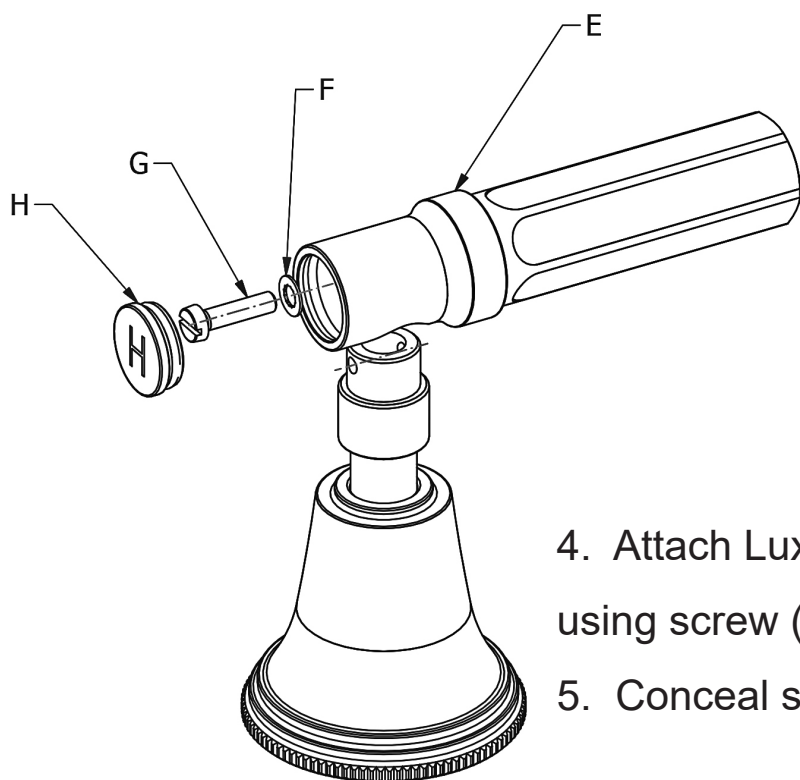
**Note:** It is imperative that the anti-rotational washer is installed

3. Levers are also available (Assembly method is identical). Position lever at the preferred angle.
4. Using a flat edge screwdriver (E), tighten the screw (A) down against the anti-rotational washer (B) to its fullest extent.
5. Insert the indice (D) to complete assembly.

## Luxe Lever Assembly Instructions

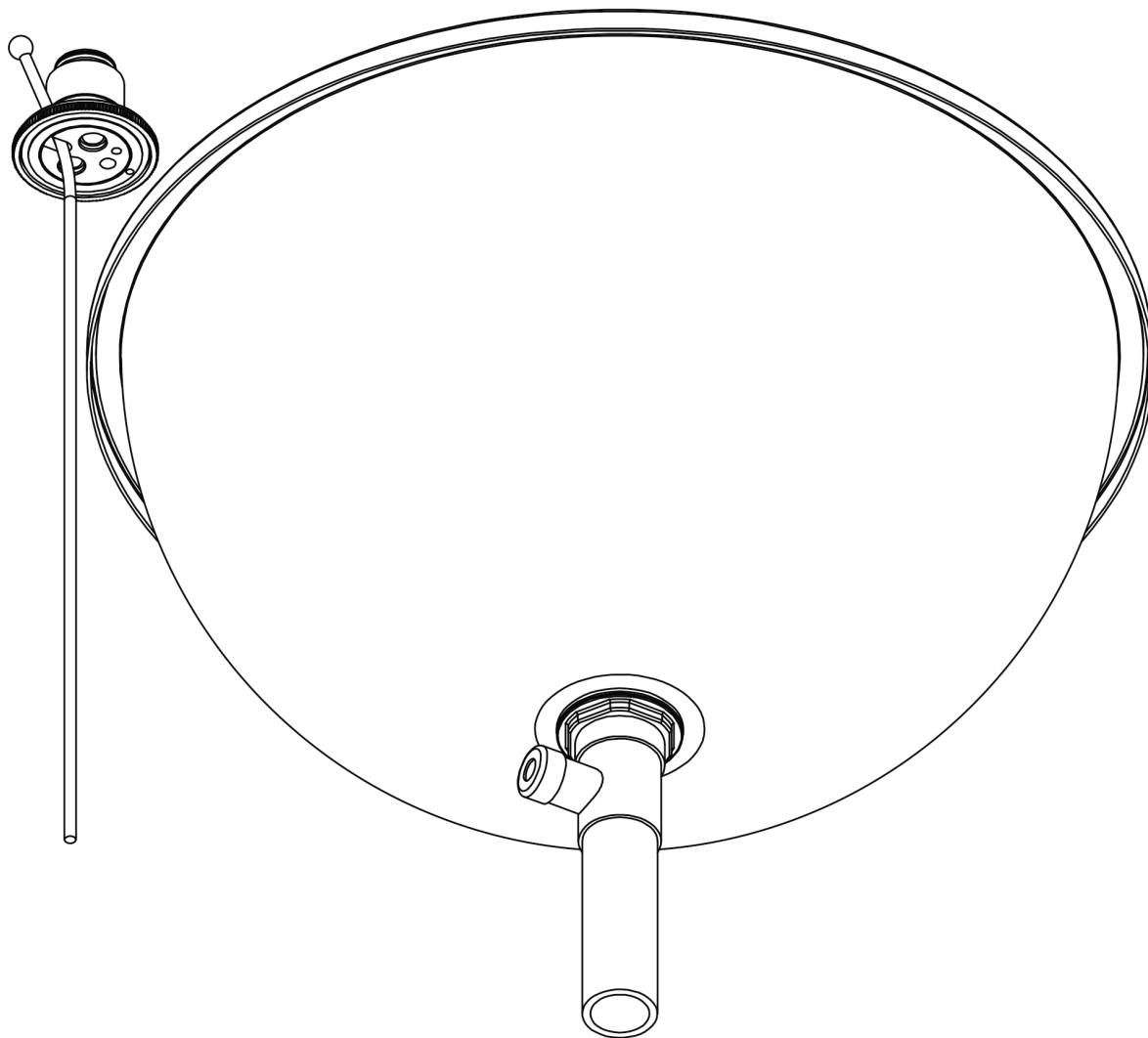


1. Place adapter (A) onto the side valve spindle.
2. Align the adapter (A) using assembly guide screw (B) to mimic the desired position of the Luxe Lever.
3. Carefully remove screw (B) and secure adapter using screw (C) and washer (D).



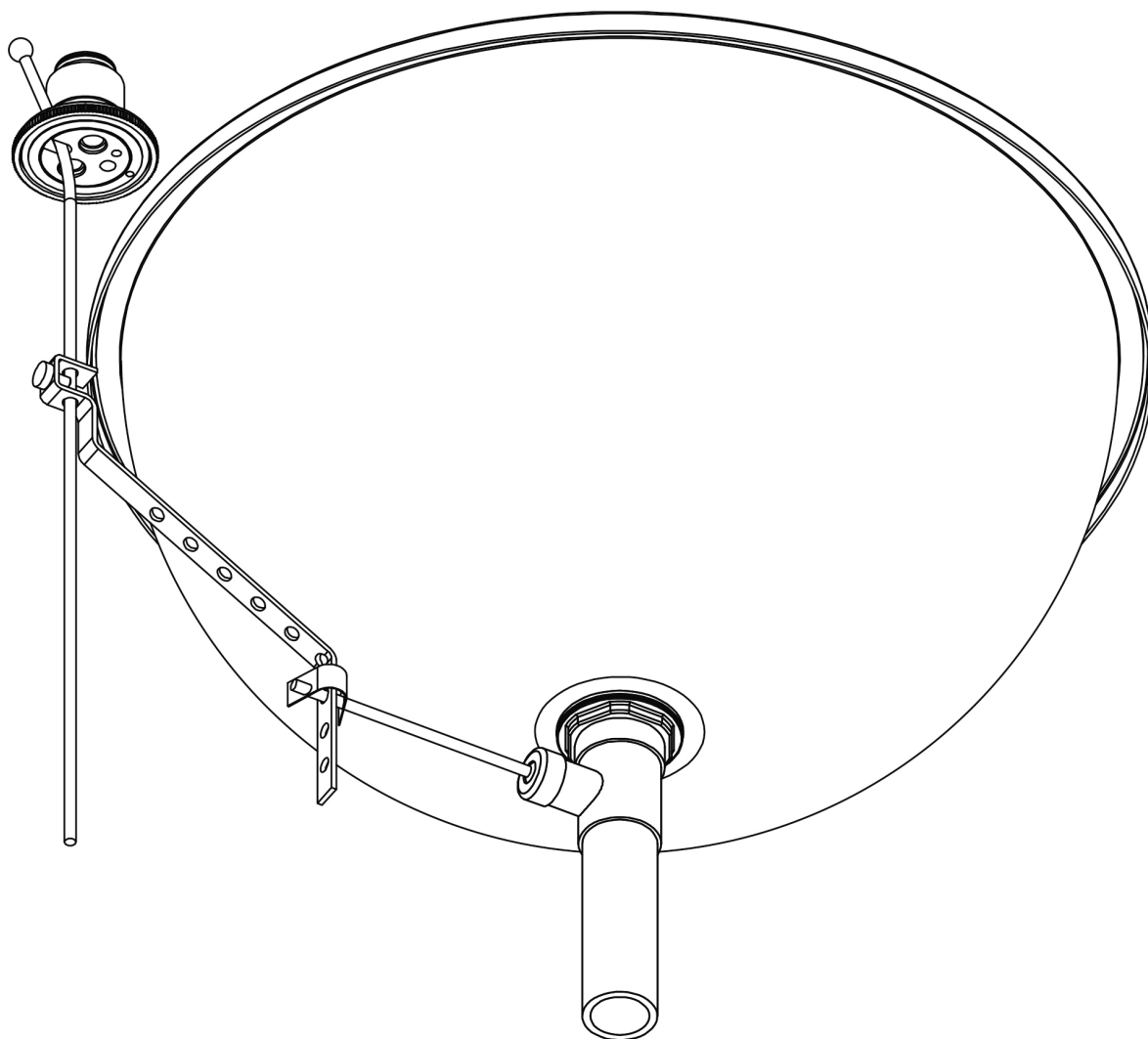
4. Attach Luxe Lever (E) to adapter (A) using screw (G) and washer (F).
5. Conceal screw using indice (H).

## V616-A Waste Set Up



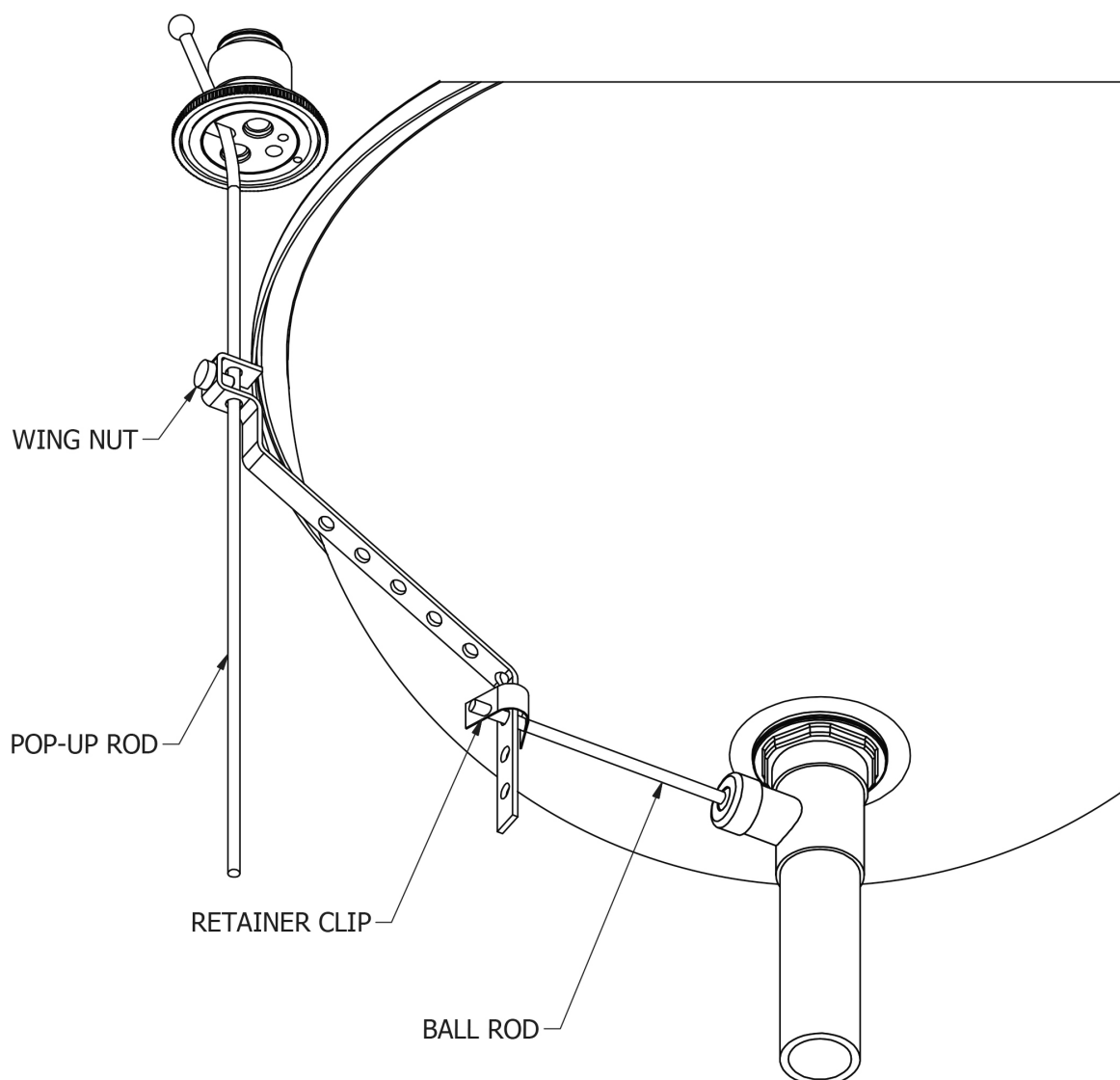
1. Assemble the drain to the basin.
2. Assemble the spout to the deck with the pop-up rod in position as shown above.

## V616-A Waste Set Up



3. Assemble the ball rod to the drain.
4. Bend the metal strap to link the pop-up rod as shown above.
5. Secure the metal strap in place using wing nut and retainer clip.

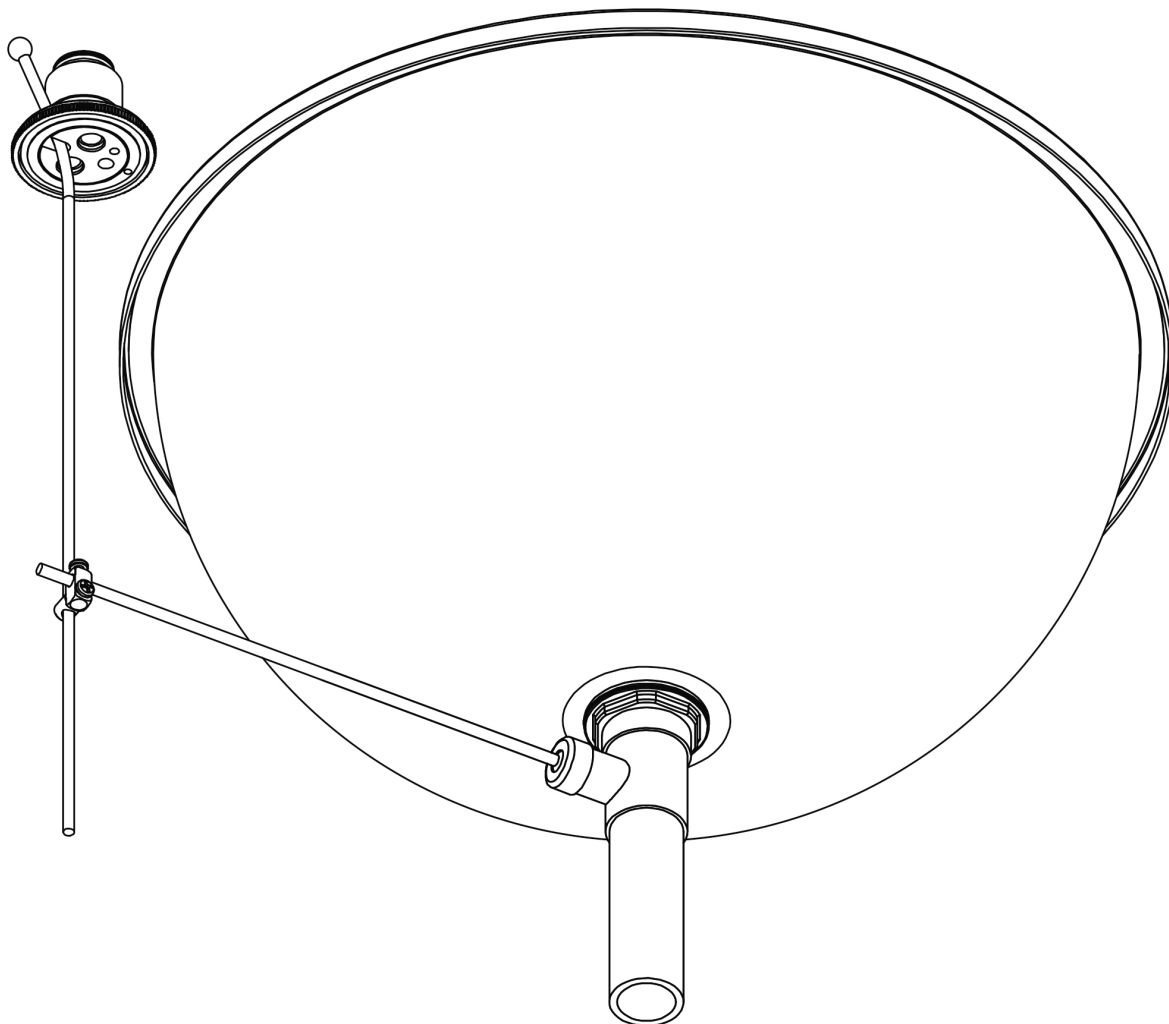
## V616-A Waste Set Up



6. Adjust the position of the metal strap to allow the pop-up waste to action correctly.



## V616-A Waste Set Up



**Note:** Alternatively, the ball rod and pop-up rod can be joined with the Joining Block (illustrated above).





## IMPORTANT NOTES

1. Installation should be carried out by a competent engineer, in accordance with water regulations.
2. Before installation, ensure supply pipes are flushed clean. Debris or loose particles will affect the efficiency of the ceramic disc cartridge.
3. For mixer taps, it is recommended that hot & cold pressures are equally balanced.
4. To help maintain the high quality finish, please clean with a soft damp cloth. Do not use abrasive polish or cleaners. Stains may be removed using undiluted washing up liquid.
5. Ceramic cartridges in hard water areas. To prolong the lifespan and reduce servicing periods of your Samuel Heath tap we recommend that a suitable water softener be fitted. Consult your installer/designer for details.
6. Please note that as with all tap and shower ware it will be necessary from time to time for the products to be serviced, this should be carried out by a qualified Plumbing Engineer.

## NOTES IMPORTANTES

1. L'installation doit être faite par un ingénieur qualifié, selon les règlements du Service Eau.
2. Avant l'installation, il faut s'assurer que les tuyaux d'approvisionnement sont complètement purgés. Les déchets flottants auront un effet détriminaire sur l'efficacité de la cartouche céramique.
3. Il est recommandé que les pressions de l'eau chaude et eau froide des mitigeurs et mélangeurs soient maintenues à un niveau égal.
4. Pour conserver la finition de haute qualité, nettoyer avec un chiffon doux et humide. N'employer jamais de la cire et des produits abrasifs. Les tâches peuvent être enlevées à l'aide de liquide vaisselle pur.
5. Cartouches en céramique dans les régions à eau calcaire. Pour prolonger la durée et réduire l'entretien de votre robinetterie Samuel Heath, nous recommandons d'utiliser un adoucisseur d'eau convenable. Veuillez consulter votre installateur/fournisseur pour plus de renseignements.
6. Veuillez noter qu'un entretien sera nécessaire de temps en temps et doit être effectué par un installateur qualifié.

## WICHTIGE HINWEISE

1. Installation sollte durch einen kompetenten Fachmann und nach den üblichen Vorschriften ausgeführt werden.
2. Vor Installation Wasserleitung gründlich durchspülen. Verschmutzung wird die Funktion der Kartusche erheblich einschränken.
3. Für Mischbatterien ist es wichtig, daß Wasser mit gleichem Druck eingeführt wird.
4. Um den optimalen Zustand dieses Produktes zu erhalten, wischen Sie es bitte nur mit einem feuchten, weichen Lappen ab. Auf keinen Fall Scheuermittel verwenden. Flecken lassen sich mit unverdünntem Geschirrspülmittel entfernen.
5. Keramikkartuschen in Hartwasserbereichen. Um die Lebensdauer zu verlängern und Wartungszeiten zu reduzieren empfiehlt Samuel Heath den Einsatz eines geeigneten Wasserenthärter. Fragen Sie Ihren Installateur/Designer um Rat.
6. Bitte merken Sie, dass alle Armaturen ab und zu eine Wartung brauchen. Diese soll durch einen kompetenten Installateur ausgeführt werden.

## ATENCION

1. La instalación se debe realizar por un fontanero.
2. Antes de la instalación, deben pulgar las tuberías dejando correr el agua por las tuberías para que arrastren los residuos de montaje/obra, con el motivo de que no afecte la eficacia del cartucho de cerámica.
3. Para grupo baño/ducha se recomienda que las presiones del agua caliente y frío sean equilibradas.
4. Para ayudar a mantener el acabado de este producto, limpiar con un paño húmedo suave. No se debe emplear productos abrasivos de baño. Las manchas se pueden quitar empleando líquido lava-vajillas puro.
5. Cartuchos cerámicos en áreas de aguas duras. Para prolongar su vida útil y reducir los periodos de reparación de su grifo SamuelHeath recomendamos la instalación de un descalcificador de agua. Consulte a su instalador para más detalles.
6. Igual que con todo tipo de grifería y duchas, de vez en cuando será necesario llevar a cabo una revisión al producto; esto debería ser realizado por un fontanero calificado.

## ATTENZIONE

1. L'impianto deve essere montato da personale tecnico in conformità alle vigenti leggi.
2. Prima dell'installazione assicurarsi che le tubature dell'acqua siano pulite. Detriti o residui di lavorazione compromettono l'efficienza del cartuccio.
3. Per i gruppi, si raccomanda che le pressioni acqua calda e acqua fredda siano ugualmente bilanciate.
4. Per mantenere la finizione di ottima qualità, pulire con un panno soffice e inumidito.  
Non usare creme lucidanti e materiali abrasivi. Le macchie potranno essere tolte usando del detersivo per piatti puro.
5. Come con tutti i tipi di rubinetti e docce, di volta in volta è necessario effettuare una revisione al prodotto; questo dovrebbe essere fatto da un idraulico qualificato.

## SAMUEL HEATH

### Head Office and Customer Service

Leopold Street  
Birmingham  
England  
B12 0UJ

T: +44 (0)121 766 4200  
F: +44 (0)121 772 3334

Info@samuel-heath.com  
www.samuel-heath.co.uk

### US Customer Service

usa@samuel-heath.com  
Federal I.D. No. 58-1504682  
www.samuel-heath.com

8-40377  
Issue: C