

SAMUEL HEATH

Product Data Sheet

V600-T2 Trim To Suit V133-IS / V133-AIS



- Available Control Options -



V600-T2M



V600-T2X



V600-T2D



V600-T2MB



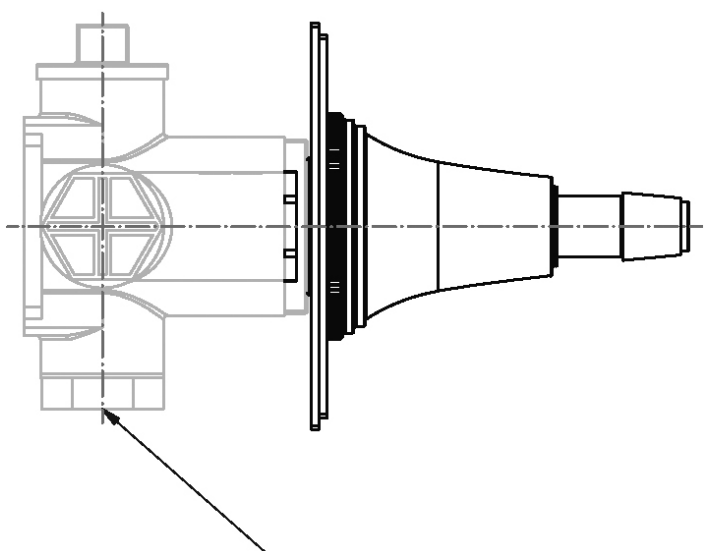
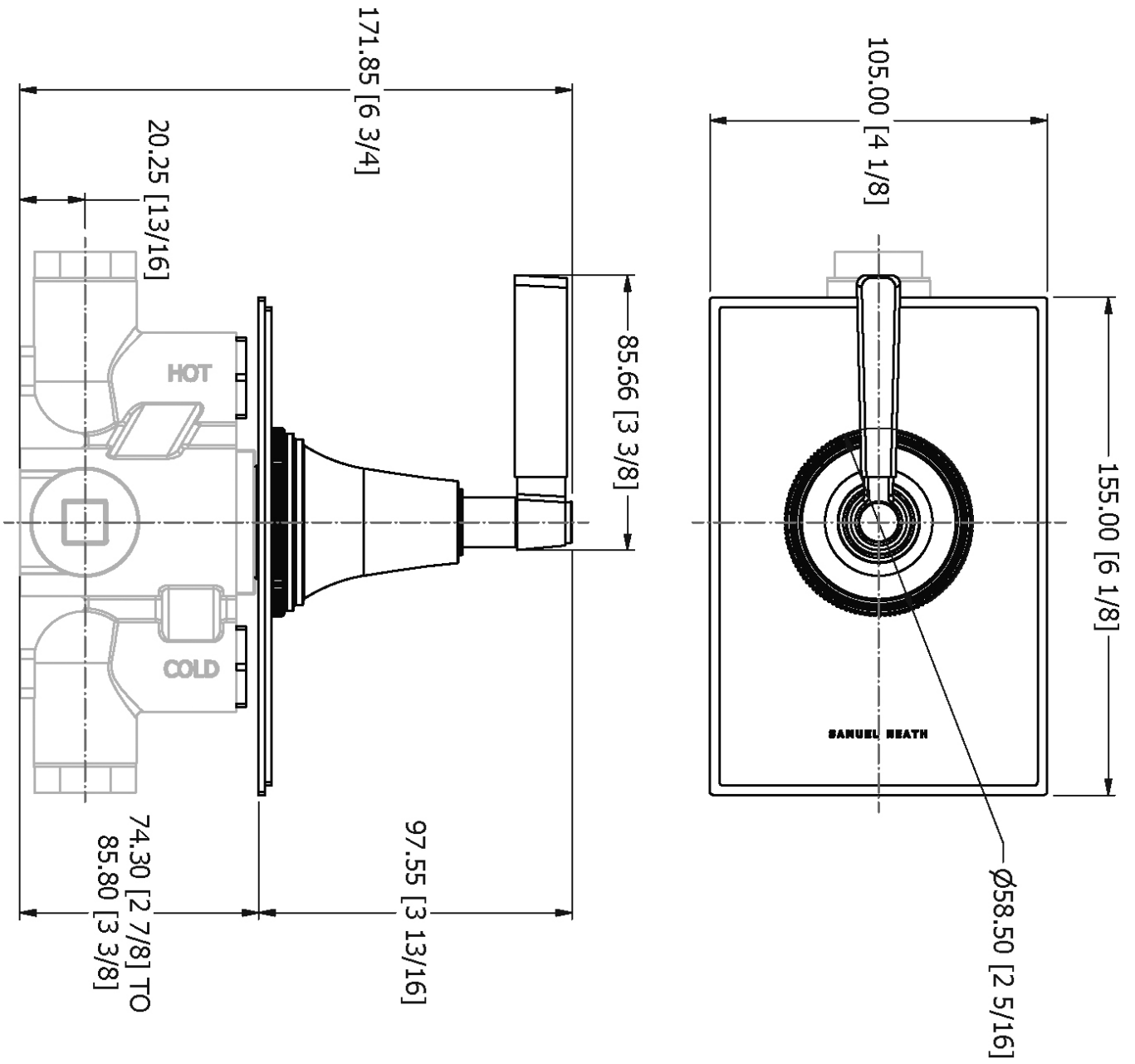
V600-T2XB



V600-T2L

Dimension Key

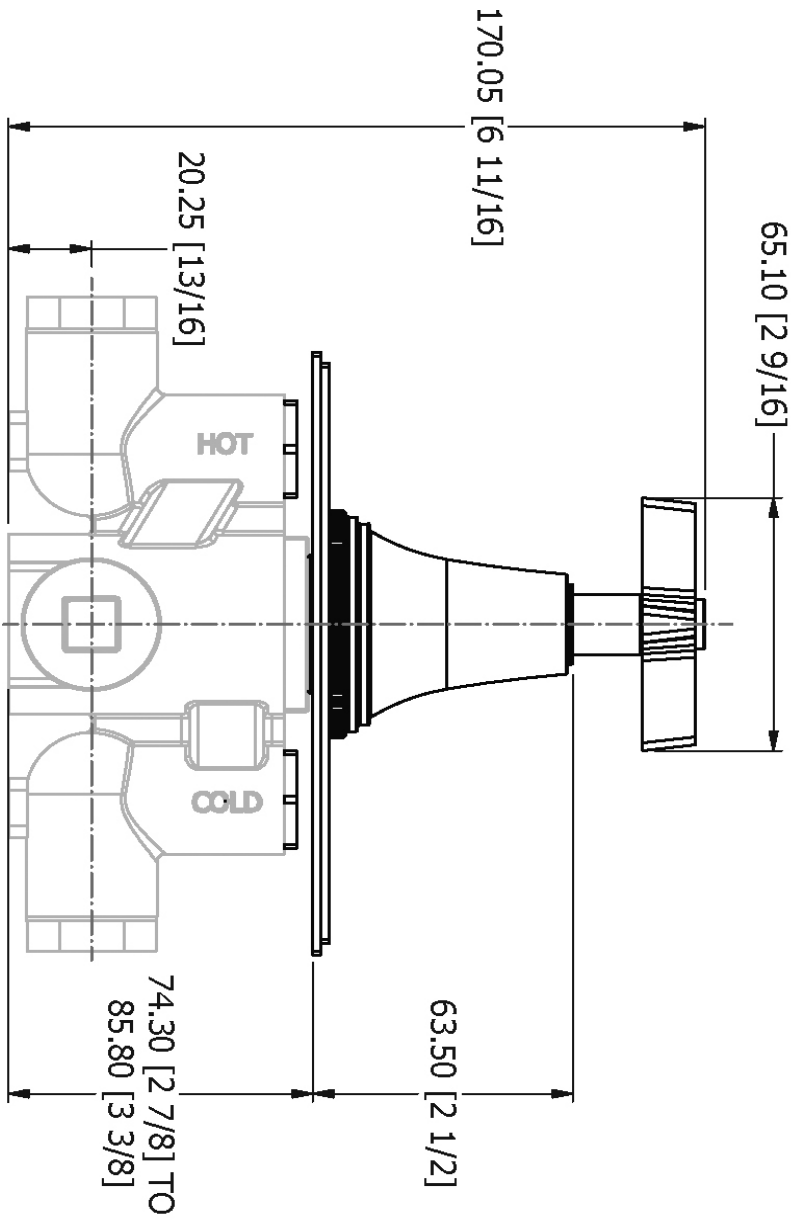
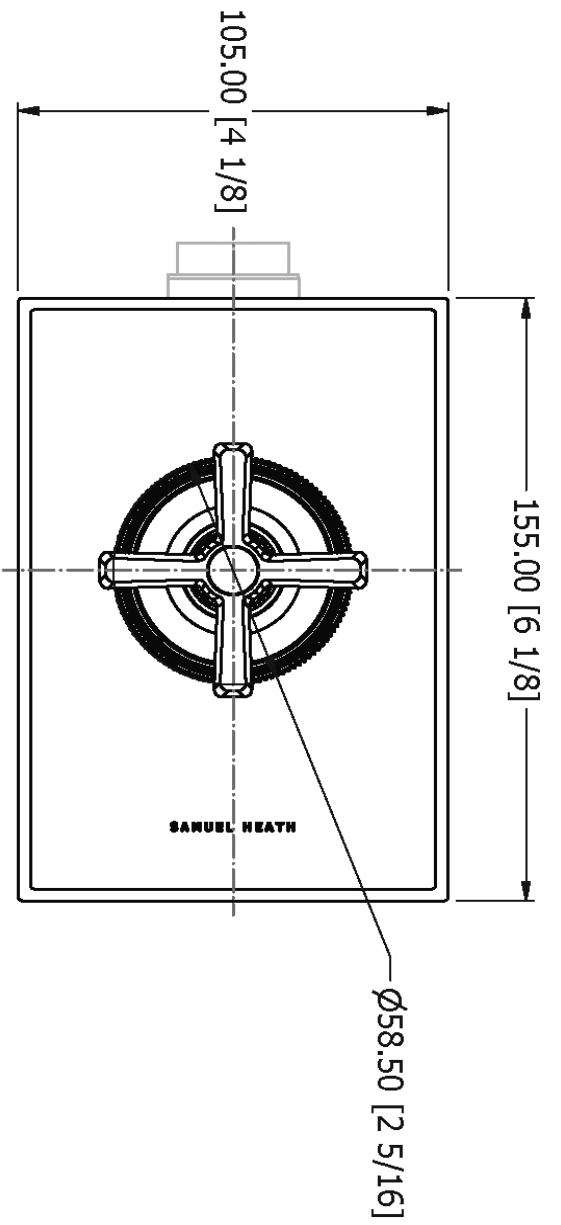
V600-T2M / V600-T2MB



SEE INSTALLATION KIT DRAWING
UK / EUR - V133-IS
US - V133-AIS

Dimension Key

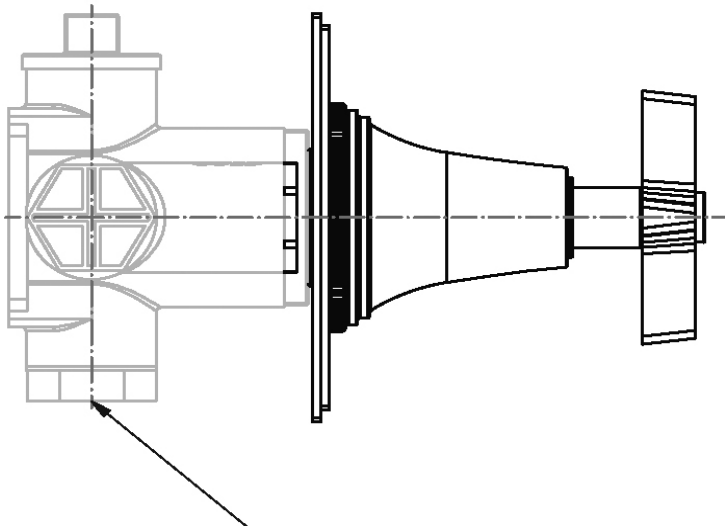
V600-T2X / V600-T2XB



SEE INSTALLATION KIT DRAWING

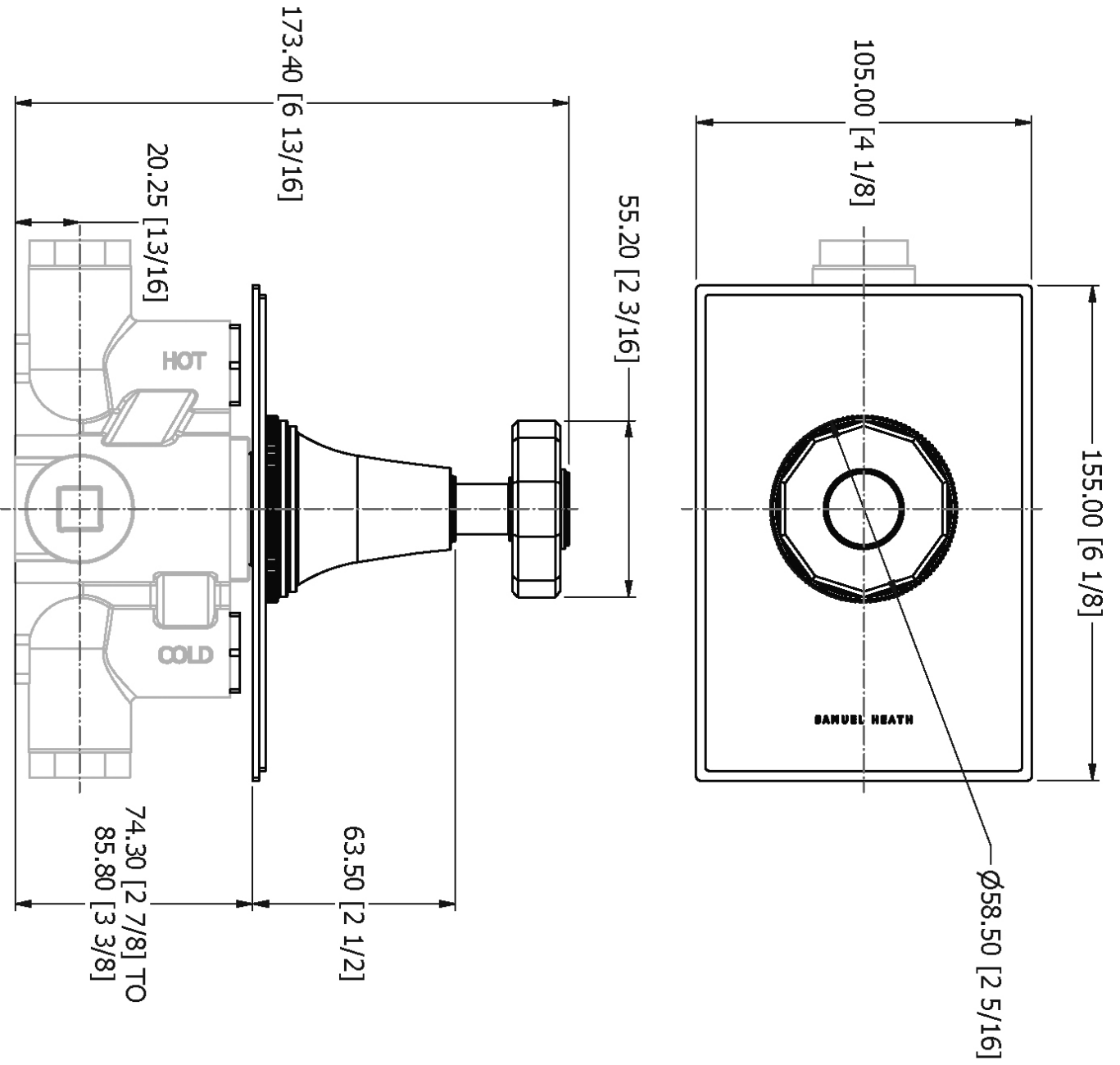
UK / EUR - V133-IS

US - V133-AIS

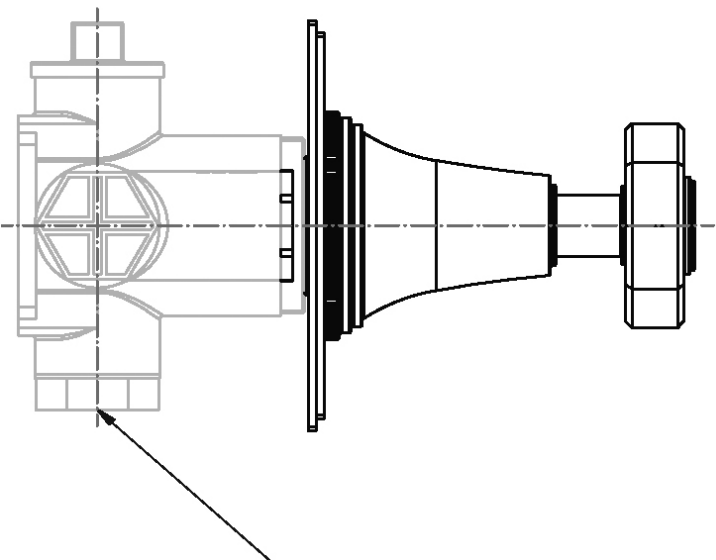


Dimension Key

V600-T2D

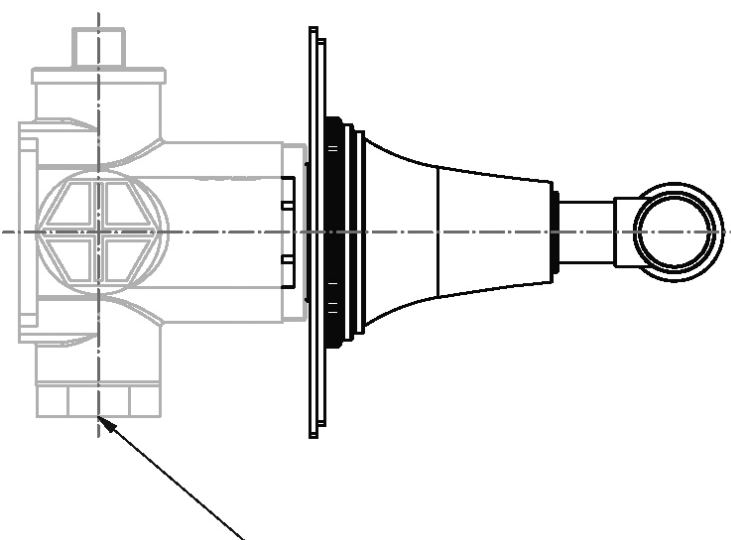
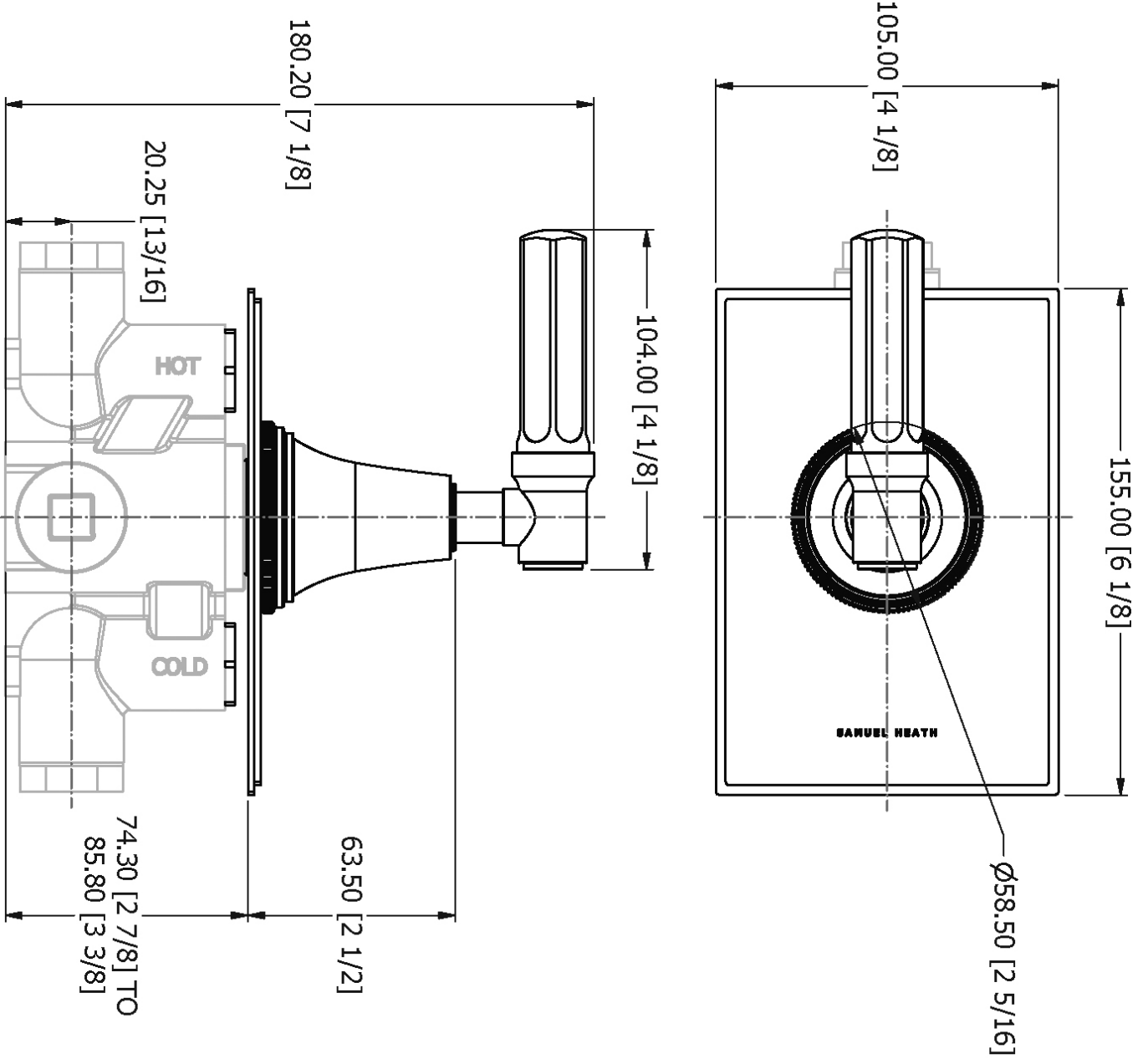


SEE INSTALLATION KIT DRAWING
UK / EUR - V133-IS
US - V133-AIS



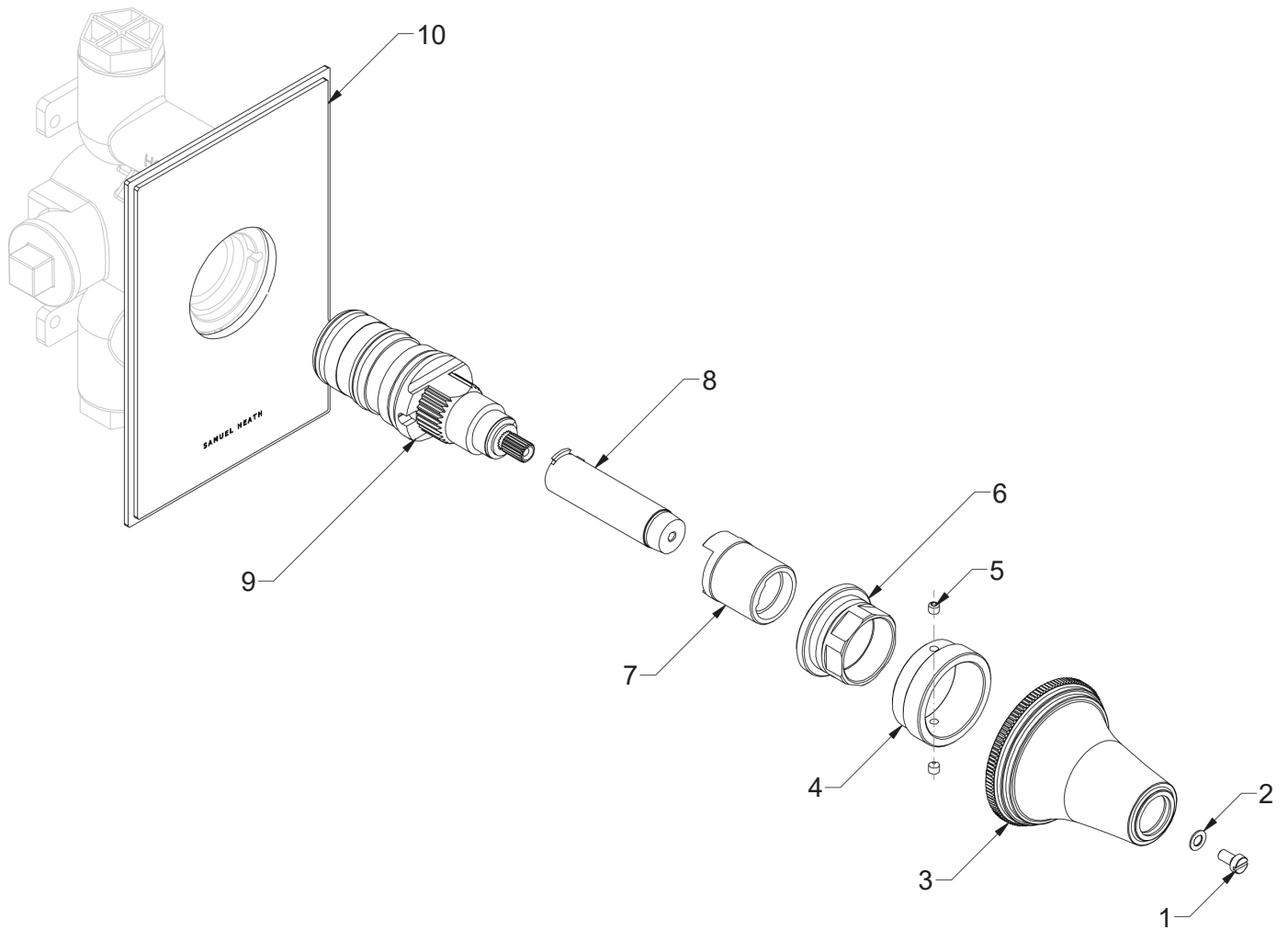
Dimension Key

V600-T2L



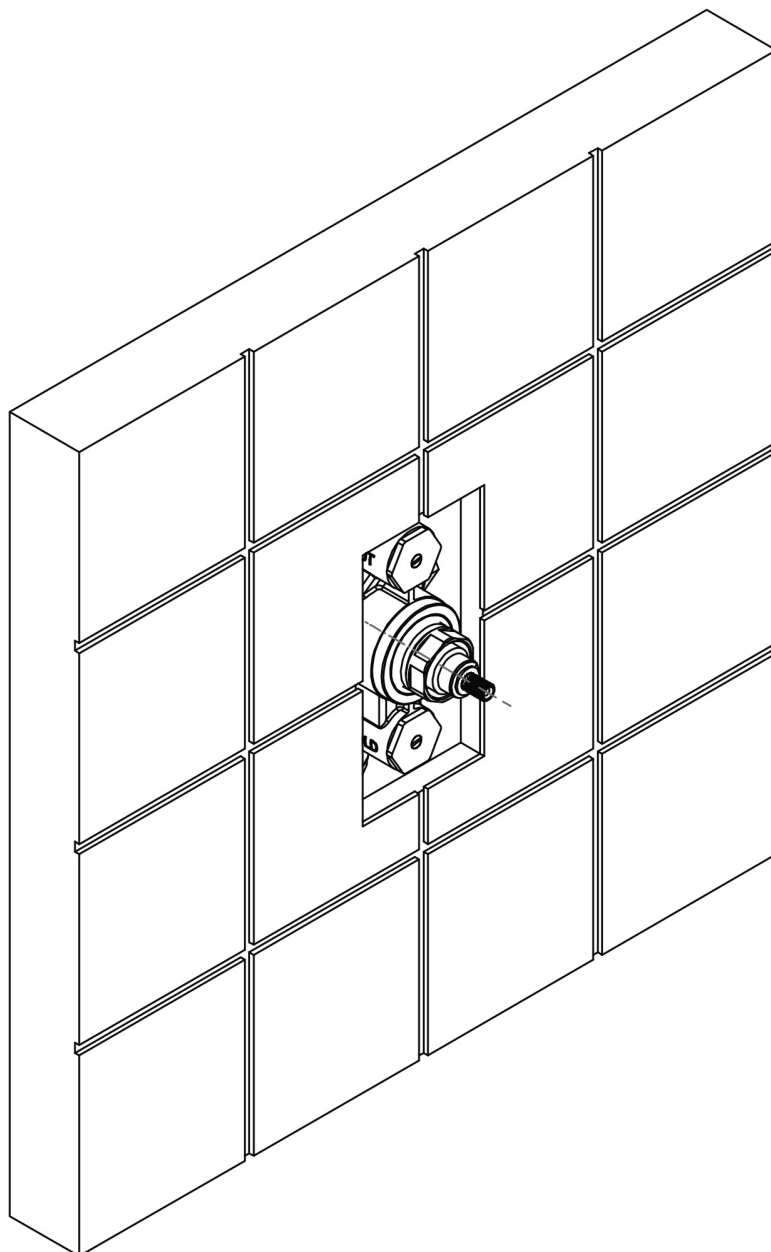
SEE INSTALLATION KIT DRAWING
UK / EUR - V133-IS
US - V133-AIS

Spares Information



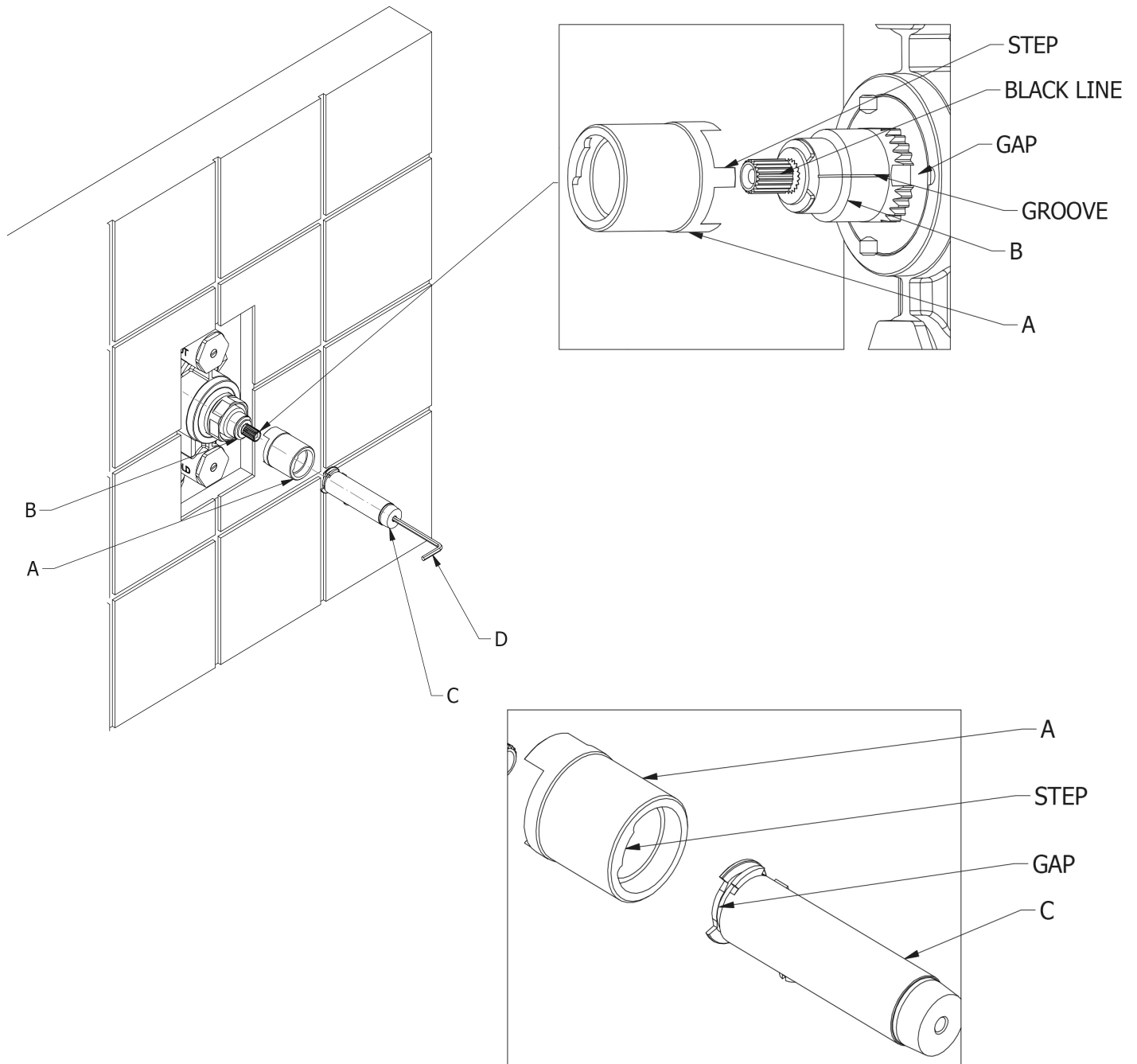
Item	Part No.	Description
1	-	Cheese Head Screw
2	-	Washer
3	-	Thermo Body
4	-	Threaded Collar
5	-	Grub Screw
6	-	Locking Nut
7	-	Concealed Thermo Locking Nut
8	-	Thermo Spindle
9	VS56064	Thermostatic Cartridge
10	-	Shower Plate

Installation



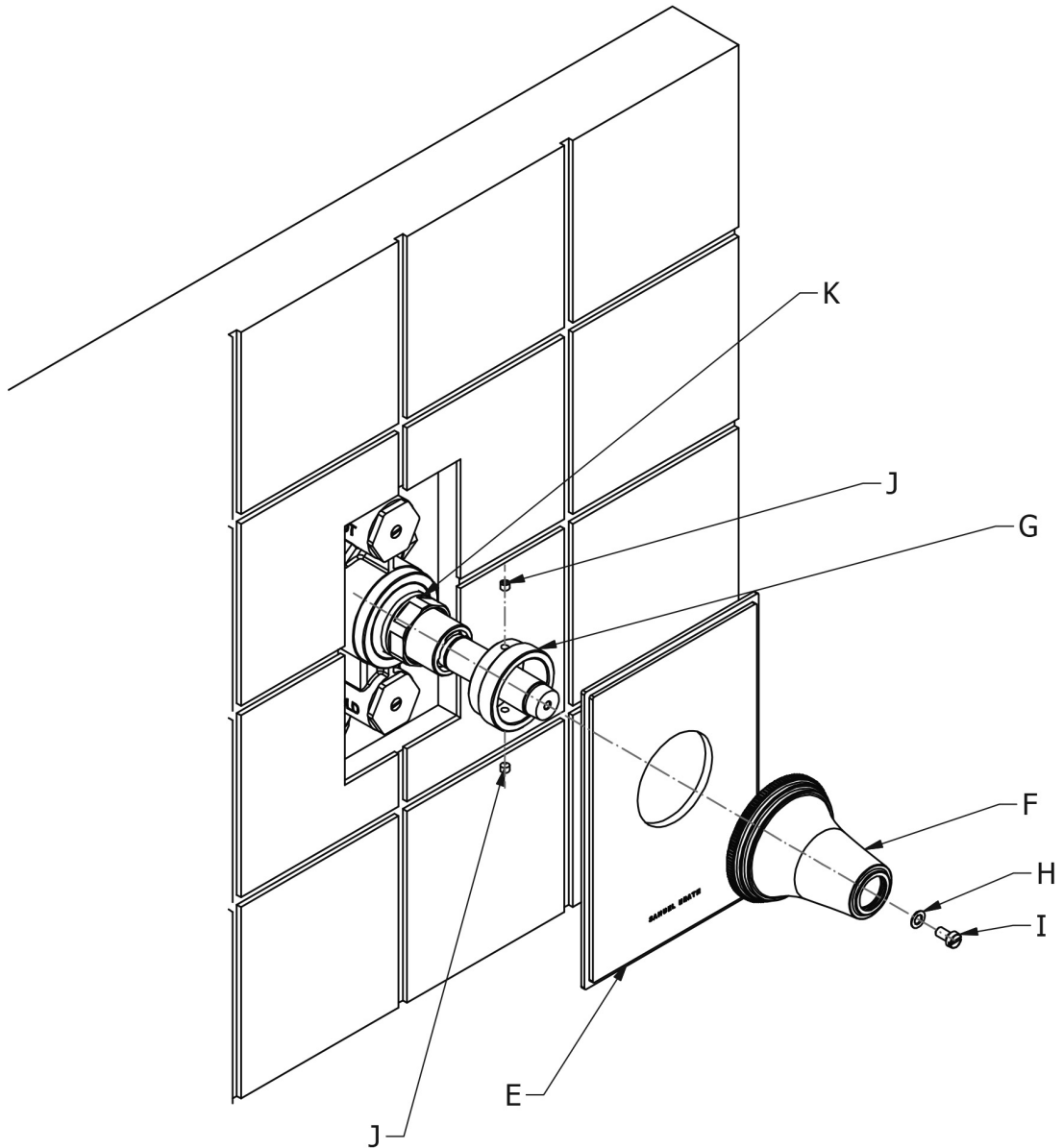
1. Install the finished surface, ensuring the finished surface is in accordance with the minimum and maximum installation depths shown on the drawings in the front of this booklet.

Set Up



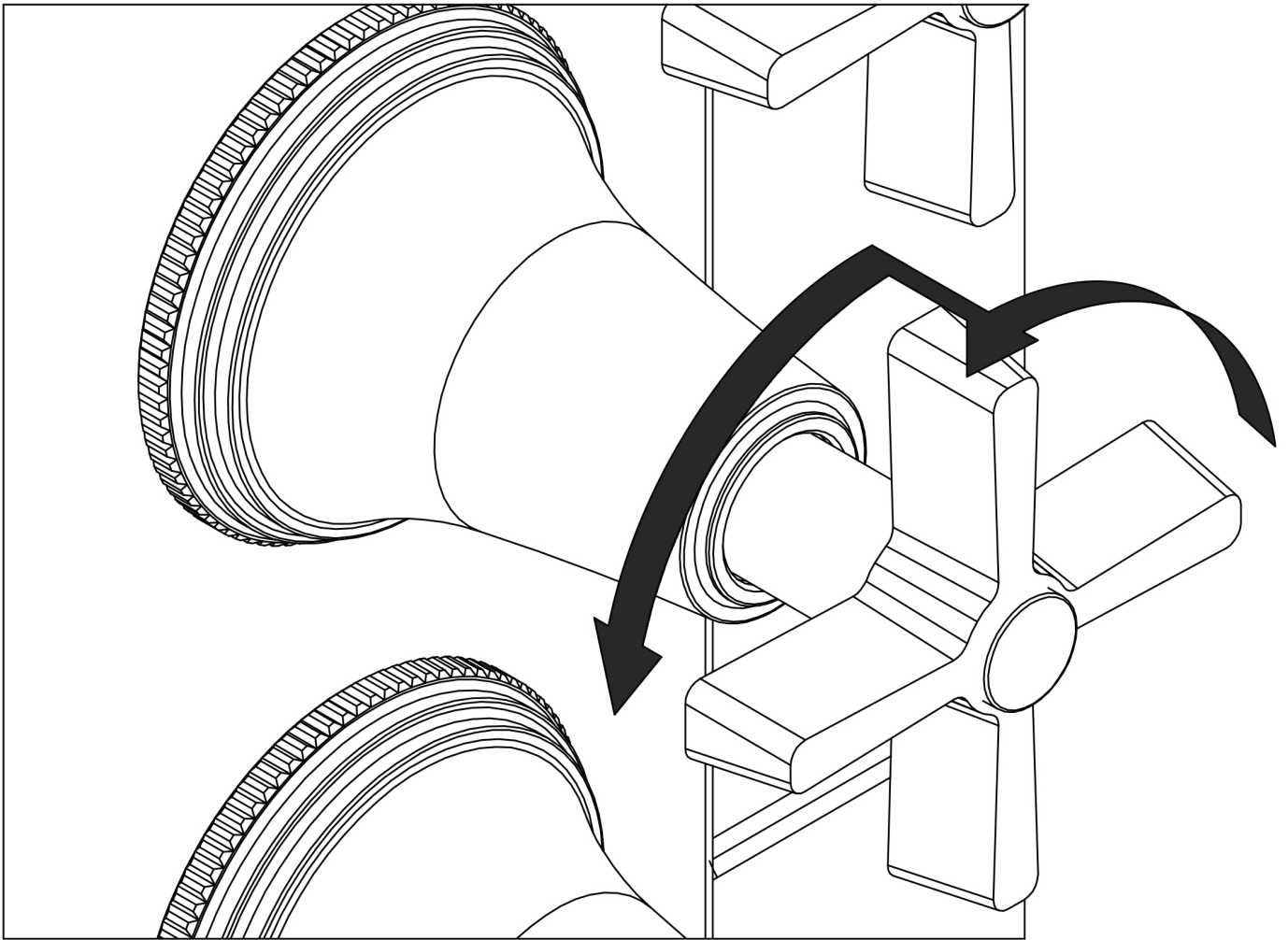
2. Ensure that the black line on the temperature spline (B) is in line with the groove.
3. Push temperature ring (A) onto temperature cartridge (B) - ensure that the step on the temperature ring (A) is in line with the gap on the cartridge (B).
4. Attach spindle assembly (C) onto the thermostatic cartridge (B) ensuring that the step on the temperature ring (A) lines up with the gap on the spindle assembly (C).
5. Secure the spindle in place by accessing the concealed screw in the spindle assembly (C) using Allen key (D).

Set Up



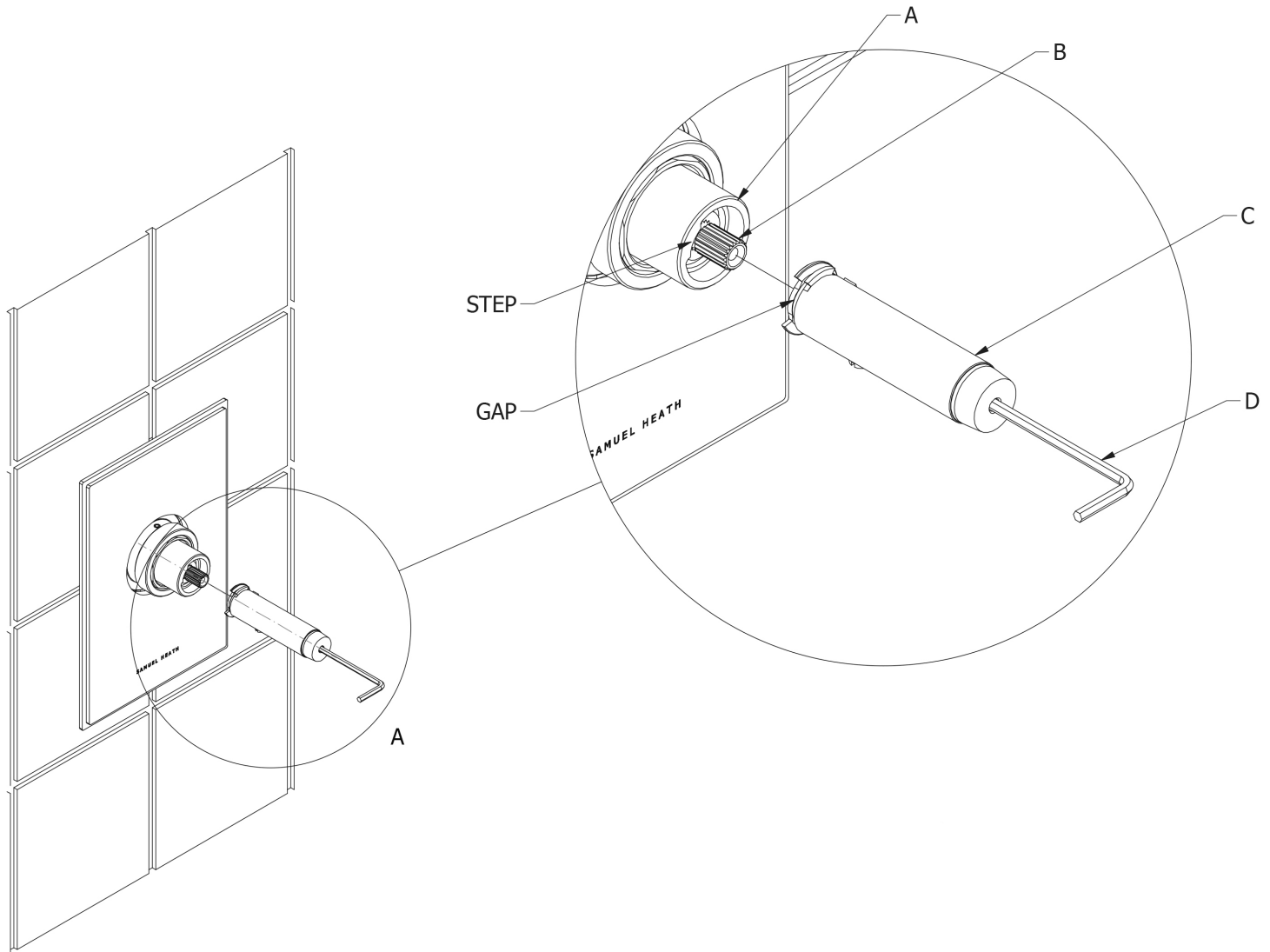
6. Assemble threaded collar (G) by pushing over locking nut (K) and secure with grub screws (J)
7. Apply a bead of silicon sealant to the wall where the trim plate assembly (E) will sit.
8. Push trim plate assembly (E) onto the installed shower.
9. Clamp the trim plate assembly in place by screwing the temperature body (F) onto the threaded shank (G).
10. Assemble spindle (H) and screw (I).

Temperature Override Mechanism



- This product has a pre-set maximum temperature of 41°C - 43°C (106°F - 109°F)
- An additional temperature increase is available by pressing in the sprung loaded cross top as shown at the maximum setting.
- The unit automatically clicks back into pre-override when rotated back towards cold.
- For further temperature increases, please see “Adjusting The Temperature”

Adjusting The Temperature

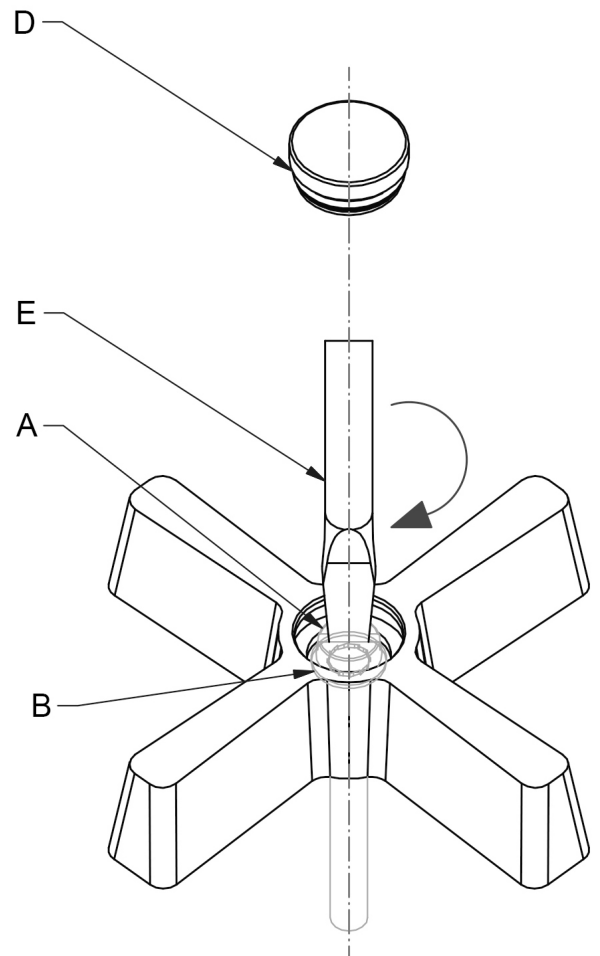
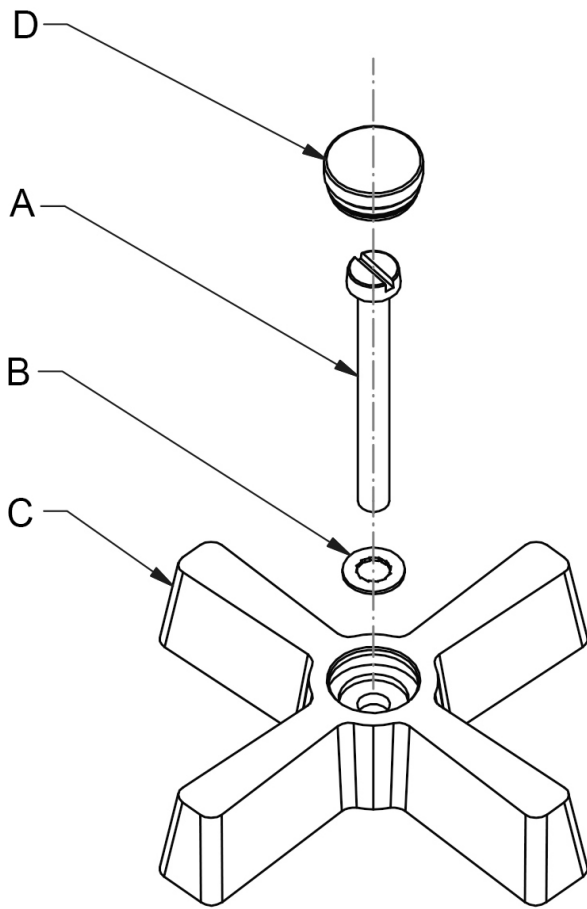


1. Remove thermo body (F).
2. Remove spindle assembly (C) by accessing the concealed screw using Allen key (D).

Note: To remove the spindle assembly (C), the gap in the spindle assembly (C) must be in line with the step on the temperature collar (A).

3. Rotate the spindle anti-clockwise to make the water hotter, and clockwise for colder.
4. Reassemble the spindle assembly (C).

Control Assembly Instructions

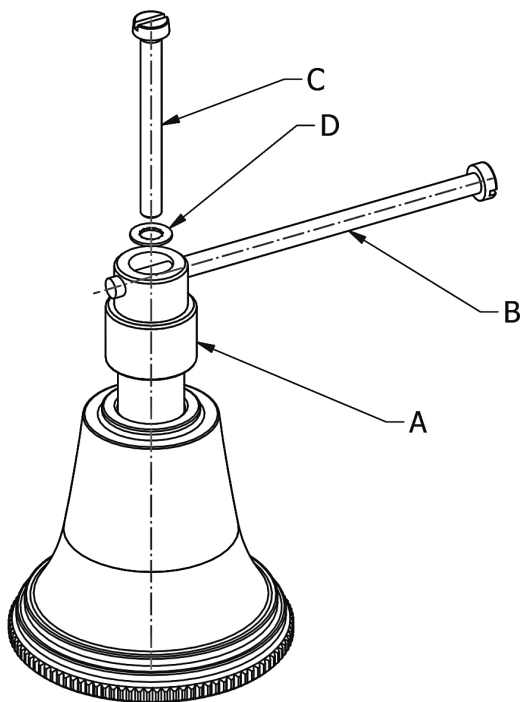


1. Remove screw (A) and washer (B) from spindle
2. Position cross top (C) to tap body and assemble anti-rotational washer (B) followed by screw (A).

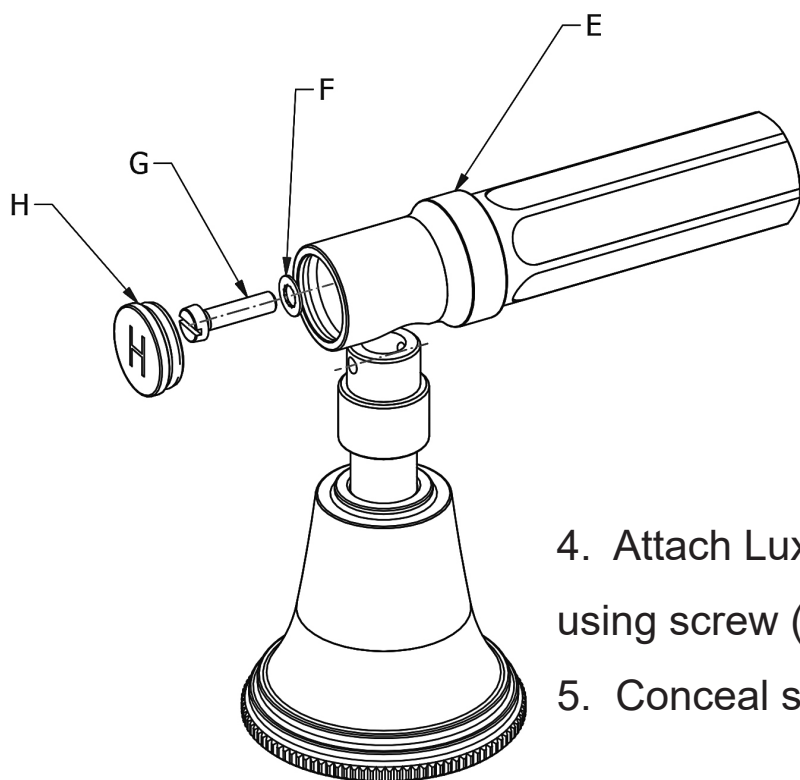
Note: It is imperative that the anti-rotational washer is installed

3. Levers are also available (Assembly method is identical). Position lever at the preferred angle.
4. Using a flat edge screwdriver (E), tighten the screw (A) down against the anti-rotational washer (B) to its fullest extent.
5. Insert the indice (D) to complete assembly.

Luxe Lever Assembly Instructions



1. Place adapter (A) onto the side valve spindle.
2. Align the adapter (A) using assembly guide screw (B) to mimic the desired position of the Luxe Lever.
3. Carefully remove screw (B) and secure adapter using screw (C) and washer (D).



4. Attach Luxe Lever (E) to adapter (A) using screw (G) and washer (F).
5. Conceal screw using indice (H).

IMPORTANT NOTES

1. Installation should be carried out by a competent engineer, in accordance with water regulations.
2. Before installation, ensure supply pipes are flushed clean. Debris or loose particles will affect the efficiency of the ceramic disc cartridge.
3. For mixer taps, it is recommended that hot & cold pressures are equally balanced.
4. To help maintain the high quality finish, please clean with a soft damp cloth. Do not use abrasive polish or cleaners. Stains may be removed using undiluted washing up liquid.
5. Ceramic cartridges in hard water areas. To prolong the lifespan and reduce servicing periods of your Samuel Heath tap we recommend that a suitable water softener be fitted. Consult your installer/designer for details.
6. Please note that as with all tap and shower ware it will be necessary from time to time for the products to be serviced, this should be carried out by a qualified Plumbing Engineer.

NOTES IMPORTANTES

1. L'installation doit être faite par un ingénieur qualifié, selon les règlements du Service Eau.
2. Avant l'installation, il faut s'assurer que les tuyaux d'approvisionnement sont complètement purgés. Les déchets flottants auront un effet détriminaire sur l'efficacité de la cartouche céramique.
3. Il est recommandé que les pressions de l'eau chaude et eau froide des mitigeurs et mélangeurs soient maintenues à un niveau égal.
4. Pour conserver la finition de haute qualité, nettoyer avec un chiffon doux et humide. N'employer jamais de la cire et des produits abrasifs. Les tâches peuvent être enlevées à l'aide de liquide vaisselle pur.
5. Cartouches en céramique dans les régions à eau calcaire. Pour prolonger la durée et réduire l'entretien de votre robinetterie Samuel Heath, nous recommandons d'utiliser un adoucisseur d'eau convenable. Veuillez consulter votre installateur/fournisseur pour plus de renseignements.
6. Veuillez noter qu'un entretien sera nécessaire de temps en temps et doit être effectué par un installateur qualifié.

WICHTIGE HINWEISE

1. Installation sollte durch einen kompetenten Fachmann und nach den üblichen Vorschriften ausgeführt werden.
2. Vor Installation Wasserleitung gründlich durchspülen. Verschmutzung wird die Funktion der Kartusche erheblich einschränken.
3. Für Mischbatterien ist es wichtig, daß Wasser mit gleichem Druck eingeführt wird.
4. Um den optimalen Zustand dieses Produktes zu erhalten, wischen Sie es bitte nur mit einem feuchten, weichen Lappen ab. Auf keinen Fall Scheuermittel verwenden. Flecken lassen sich mit unverdünntem Geschirrspülmittel entfernen.
5. Keramikkartuschen in Hartwasserbereichen. Um die Lebensdauer zu verlängern und Wartungszeiten zu reduzieren empfiehlt Samuel Heath den Einsatz eines geeigneten Wasserenthärter. Fragen Sie Ihren Installateur/Designer um Rat.
6. Bitte merken Sie, dass alle Armaturen ab und zu eine Wartung brauchen. Diese soll durch einen kompetenten Installateur ausgeführt werden.

ATENCION

1. La instalación se debe realizar por un fontanero.
2. Antes de la instalación, deben pulgar las tuberías dejándolas correr el agua por las tuberías para que arrastren los residuos de montaje/obra, con el motivo de que no afecte la eficacia del cartucho de cerámica.
3. Para grupo baño/ducha se recomienda que las presiones del agua caliente y frío sean equilibradas.
4. Para ayudar a mantener el acabado de este producto, limpiar con un paño húmedo suave. No se debe emplear productos abrasivos de baño. Las manchas se pueden quitar empleando líquido lava-vajillas puro.
5. Cartuchos cerámicos en áreas de aguas duras. Para prolongar su vida útil y reducir los periodos de reparación de su grifo SamuelHeath recomendamos la instalación de un descalcificador de agua. Consulte a su instalador para más detalles.
6. Igual que con todo tipo de grifería y duchas, de vez en cuando será necesario llevar a cabo una revisión al producto; esto debería ser realizado por un fontanero calificado.

ATTENZIONE

1. L'impianto deve essere montato da personale tecnico in conformità alle vigenti leggi.
2. Prima dell'installazione assicurarsi che le tubature dell'acqua siano pulite. Detriti o residui di lavorazione compromettono l'efficienza del cartuccio.
3. Per i gruppi, si raccomanda che le pressioni acqua calda e acqua fredda siano ugualmente bilanciate.
4. Per mantenere la finizione di ottima qualità, pulire con un panno soffice e inumidito.
Non usare creme lucidanti e materiali abrasivi. Le macchie potranno essere tolte usando del detersivo per piatti puro.
5. Come con tutti i tipi di rubinetti e docce, di volta in volta è necessario effettuare una revisione al prodotto; questo dovrebbe essere fatto da un idraulico qualificato.

SAMUEL HEATH

Head Office and Customer Service

Leopold Street
Birmingham
England
B12 0UJ

T: +44 (0)121 766 4200
F: +44 (0)121 772 3334

Info@samuel-heath.com
www.samuel-heath.co.uk

US Customer Service

usa@samuel-heath.com
Federal I.D. No. 58-1504682
www.samuel-heath.com

8-40412-T
Issue: B