

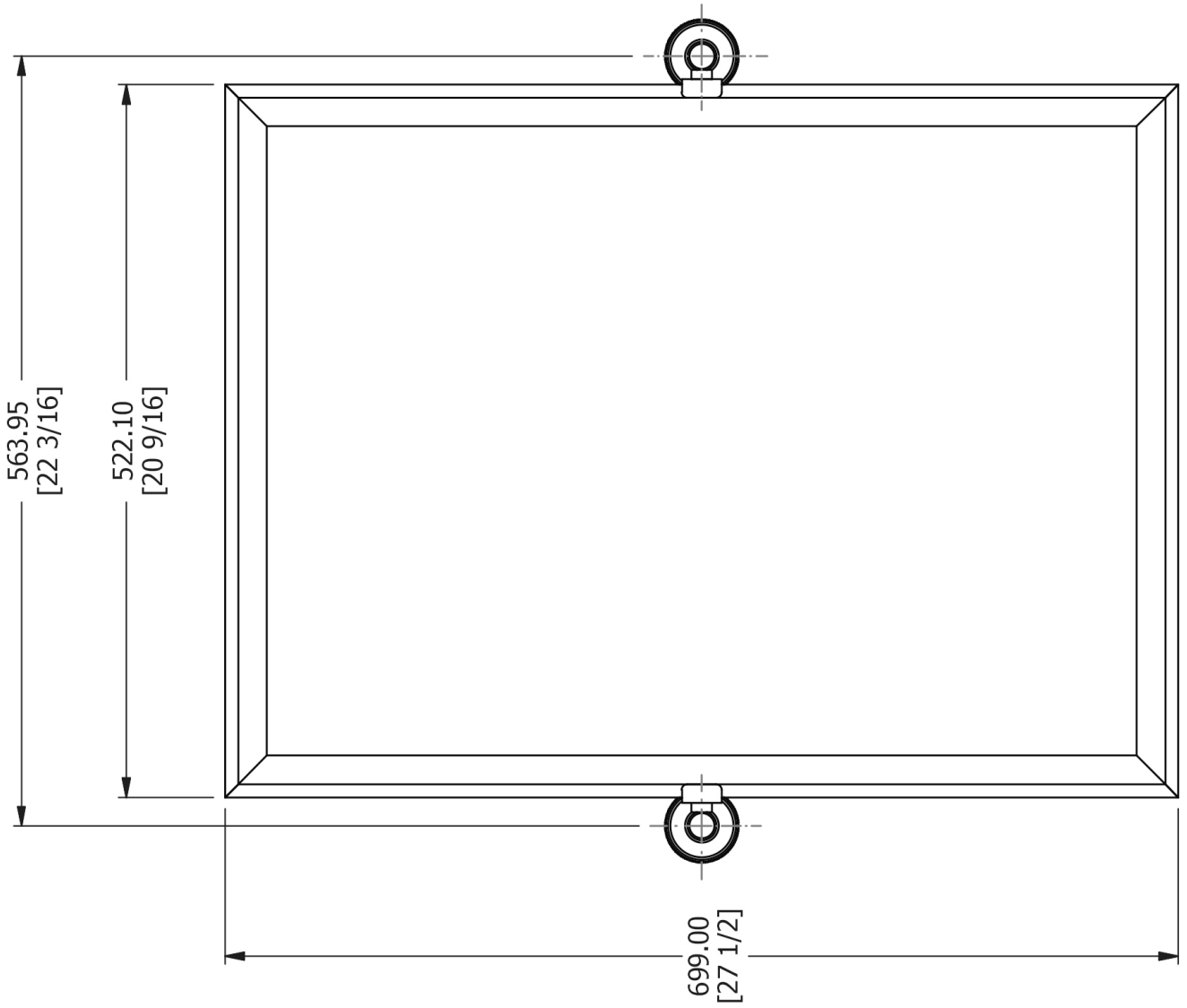
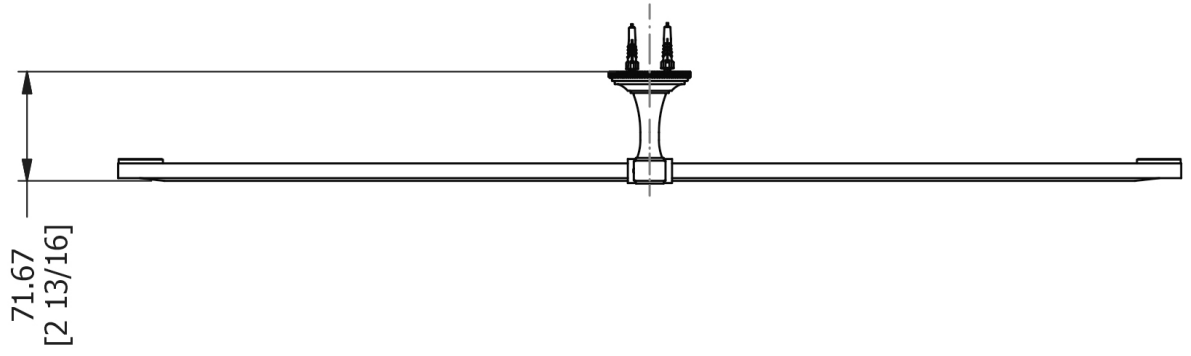
SAMUEL HEATH

Product Data Sheet

L6743-C Wall Mounted Mirror

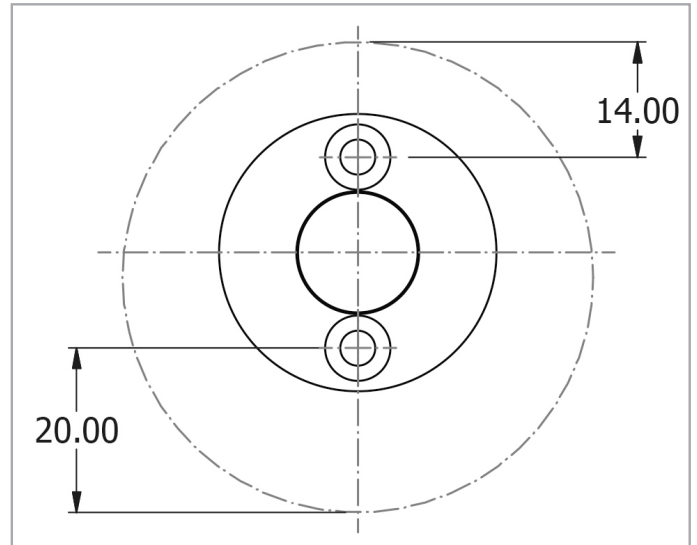
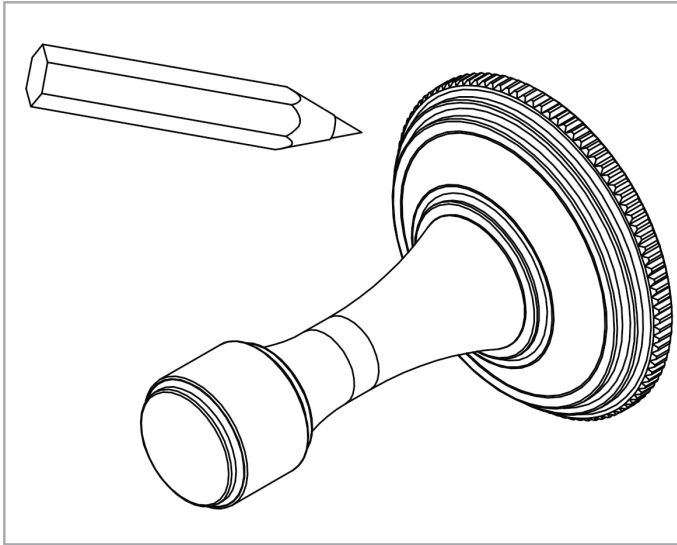


Dimension Key

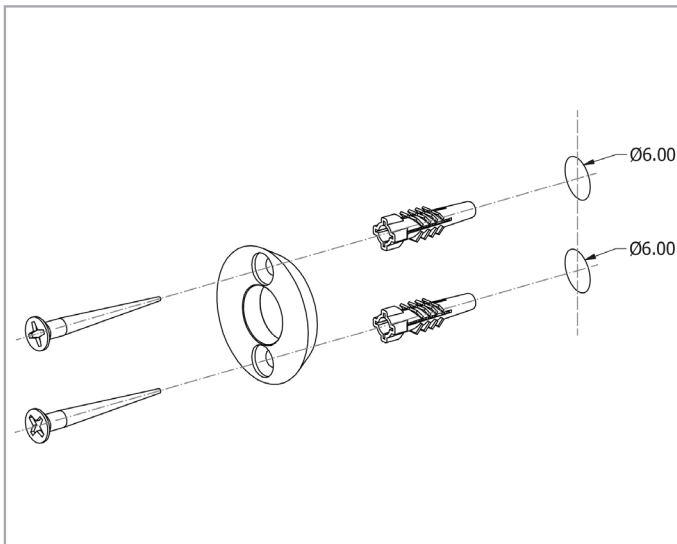


Fitting Instructions

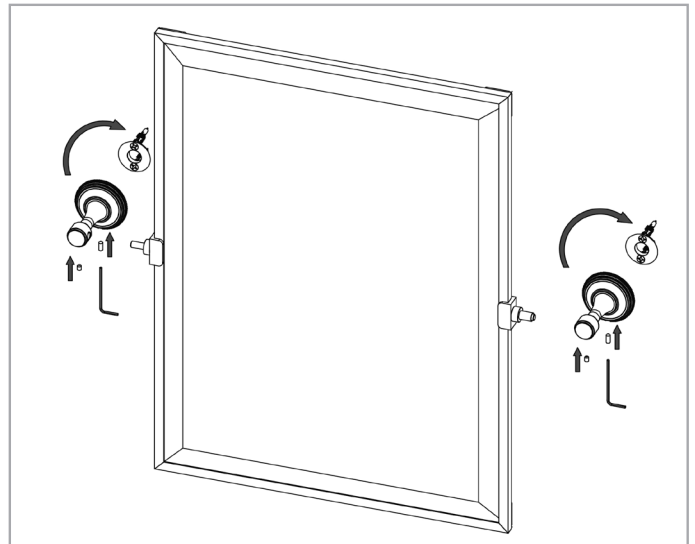
1.



2.



3.



1. Mark rose centres to ensure correct distance between roses.
2. Position and fix wall plates to wall.
3. Fit brackets to mirror and position onto wall plates. (Please note assembly method is the same for all mirrors).

SAFETY NOTE

Prior to drilling into walls: Check there are no hidden electrical wires, cables or water supply pipes with the aid of an electronic detector.

Note: Wall plugs supplied are only suitable for solid stone / brick walls. For plasterboard walls use specialist wall plugs. Seek advice from a specialist about the suitability of fixings to be used.

SAMUEL HEATH
Head Office and Customer Service
Leopold Street
Birmingham
England
B12 0UJ

T: +44 (0)121 766 4200
F: +44 (0)121 772 3334

Info@samuel-heath.com
www.samuel-heath.com

US Customer Service
usa@samuel-heath.com
Federal I.D. No. 58-1504682
www.samuel-heath.com/us

9-1629