

# SAMUEL HEATH

## Product Data Sheet N7655 Towel Rail

---



N7655K



N7655F



N7655K-A



N7655F-A



N7655K-B



N7655F-B

# SAMUEL HEATH

## Product Data Sheet N7655 Towel Rail

---



N7655K



N7655F



N7655K-A



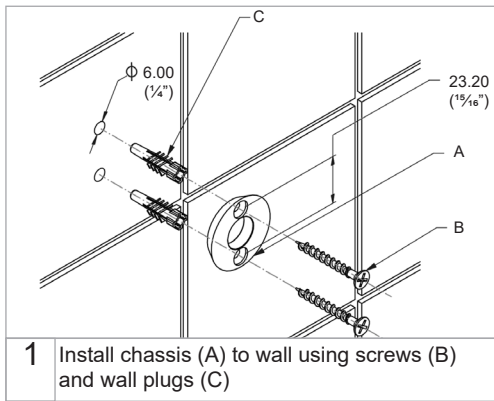
N7655F-A



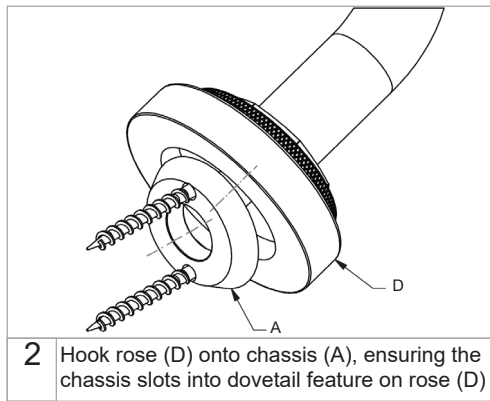
N7655K-B



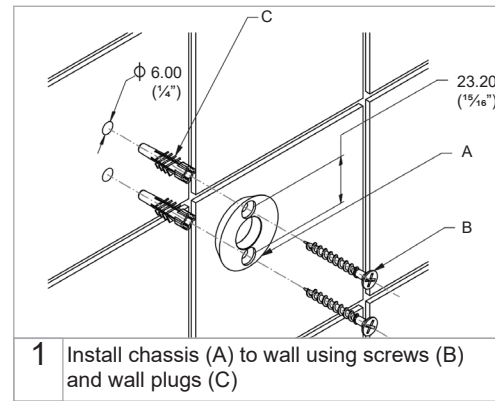
N7655F-B



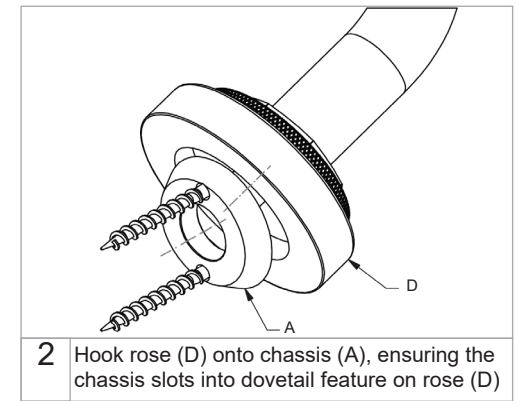
1 Install chassis (A) to wall using screws (B) and wall plugs (C)



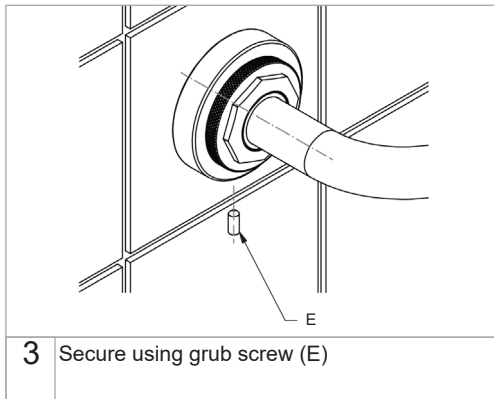
2 Hook rose (D) onto chassis (A), ensuring the chassis slots into dovetail feature on rose (D)



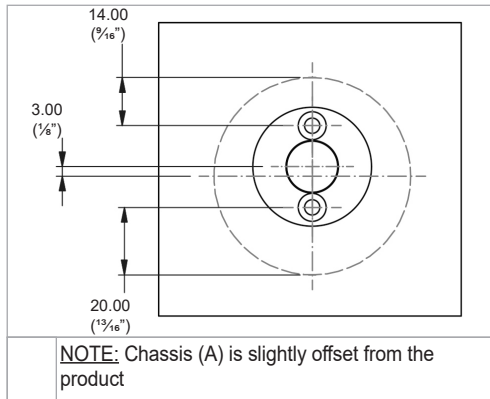
1 Install chassis (A) to wall using screws (B) and wall plugs (C)



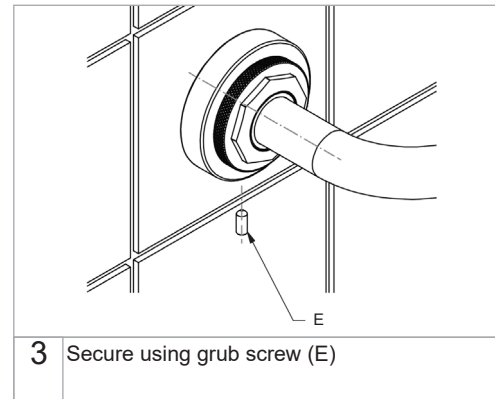
2 Hook rose (D) onto chassis (A), ensuring the chassis slots into dovetail feature on rose (D)



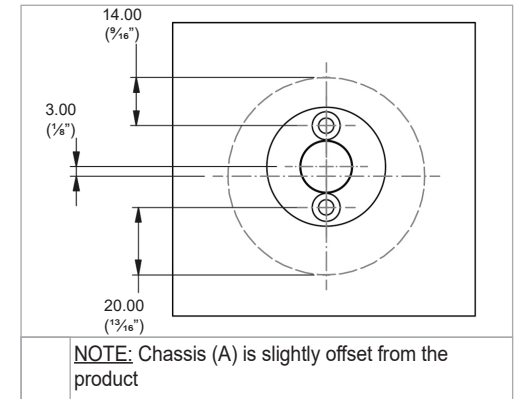
3 Secure using grub screw (E)



**NOTE:** Chassis (A) is slightly offset from the product



3 Secure using grub screw (E)



**NOTE:** Chassis (A) is slightly offset from the product

### SAFETY NOTE

Prior to drilling into walls:  
Check there are no hidden electrical wires, cables or water supply pipes with the aid of an electronic detector.

**Note:** Wall plugs supplied are only suitable for solid stone / brick walls. For plasterboard walls use specialist wall plugs. *Seek advice from a specialist about the suitability of fixings to be used.*

### SAMUEL HEATH Head Office and Customer Service

Leopold Street  
Birmingham  
England  
B12 0UJ

T: +44 (0)121 766 4200  
F: +44 (0)121 772 3334

Info@samuel-heath.com  
www.samuel-heath.com

**US Customer Service**  
Federal I.D. No. 58-1504682  
www.samuel-heath.com/us

9-1664

### SAFETY NOTE

Prior to drilling into walls:  
Check there are no hidden electrical wires, cables or water supply pipes with the aid of an electronic detector.

**Note:** Wall plugs supplied are only suitable for solid stone / brick walls. For plasterboard walls use specialist wall plugs. *Seek advice from a specialist about the suitability of fixings to be used.*

### SAMUEL HEATH Head Office and Customer Service

Leopold Street  
Birmingham  
England  
B12 0UJ

T: +44 (0)121 766 4200  
F: +44 (0)121 772 3334

Info@samuel-heath.com  
www.samuel-heath.com

**US Customer Service**  
Federal I.D. No. 58-1504682  
www.samuel-heath.com/us

9-1664