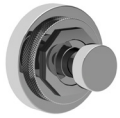


SAMUEL HEATH

Product Data Sheet

Bathroom Accessories (Single Chassis Fixing)



N7632-K



N7634-K



N7635-K



N7632-F



N7634-F



N7635-F



N7648-K



N7691-K



N7698-K



N7648-F



N7691-F

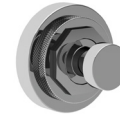


N7698-F

SAMUEL HEATH

Product Data Sheet

Bathroom Accessories (Single Chassis Fixing)



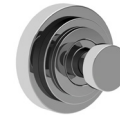
N7632-K



N7634-K



N7635-K



N7632-F



N7634-F



N7635-F



N7648-K



N7691-K



N7698-K



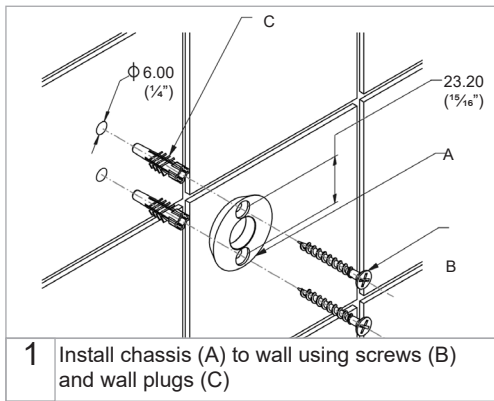
N7648-F



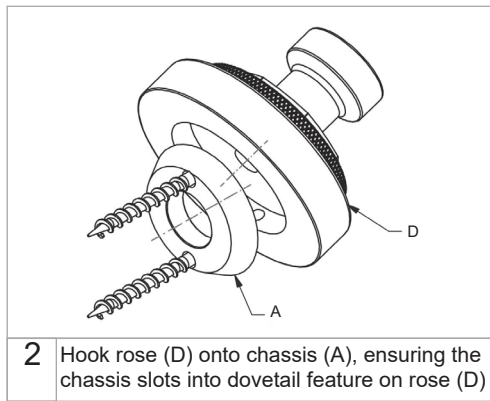
N7691-F



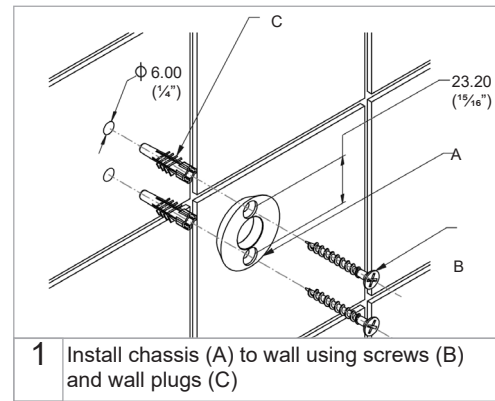
N7698-F



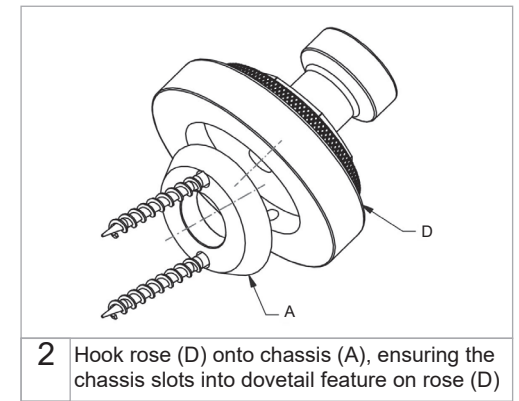
1 Install chassis (A) to wall using screws (B) and wall plugs (C)



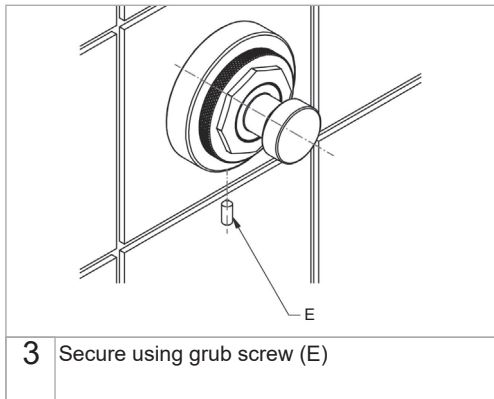
2 Hook rose (D) onto chassis (A), ensuring the chassis slots into dovetail feature on rose (D)



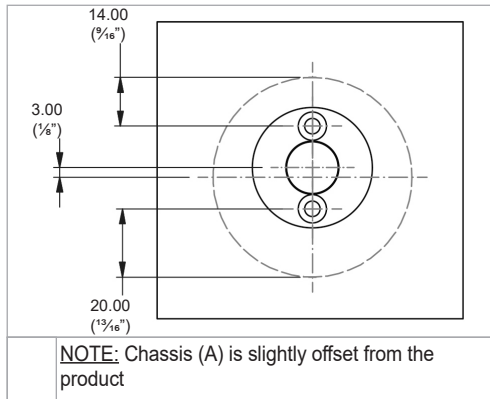
1 Install chassis (A) to wall using screws (B) and wall plugs (C)



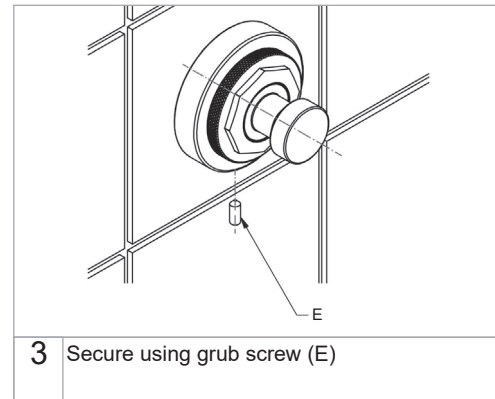
2 Hook rose (D) onto chassis (A), ensuring the chassis slots into dovetail feature on rose (D)



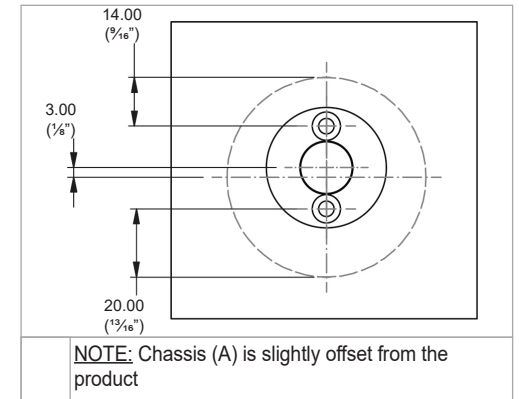
3 Secure using grub screw (E)



NOTE: Chassis (A) is slightly offset from the product



3 Secure using grub screw (E)



NOTE: Chassis (A) is slightly offset from the product

SAFETY NOTE

Prior to drilling into walls:
Check there are no hidden electrical wires, cables or water supply pipes with the aid of an electronic detector.

Note: Wall plugs supplied are only suitable for solid stone / brick walls. For plasterboard walls use specialist wall plugs. *Seek advice from a specialist about the suitability of fixings to be used.*

SAMUEL HEATH Head Office and Customer Service

Leopold Street
Birmingham
England
B12 0UJ

T: +44 (0)121 766 4200
F: +44 (0)121 772 3334

Info@samuel-heath.com
www.samuel-heath.com

US Customer Service
Federal I.D. No. 58-1504682
www.samuel-heath.com/us

9-1665

SAFETY NOTE

Prior to drilling into walls:
Check there are no hidden electrical wires, cables or water supply pipes with the aid of an electronic detector.

Note: Wall plugs supplied are only suitable for solid stone / brick walls. For plasterboard walls use specialist wall plugs. *Seek advice from a specialist about the suitability of fixings to be used.*

SAMUEL HEATH Head Office and Customer Service

Leopold Street
Birmingham
England
B12 0UJ

T: +44 (0)121 766 4200
F: +44 (0)121 772 3334

Info@samuel-heath.com
www.samuel-heath.com

US Customer Service
Federal I.D. No. 58-1504682
www.samuel-heath.com/us

9-1665