

# SAMUEL HEATH

## Product Data Sheet

L5042 / L7642K Wall Mounted Toilet Brush

---



L5042



L7642K

# SAMUEL HEATH

## Product Data Sheet

L5042 / L7642K Wall Mounted Toilet Brush

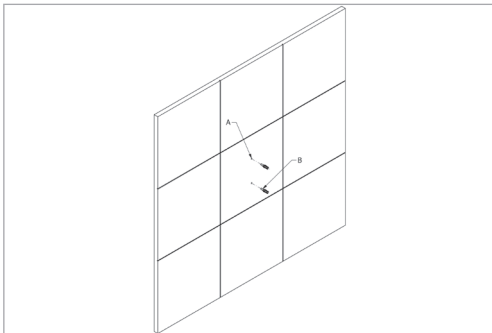
---



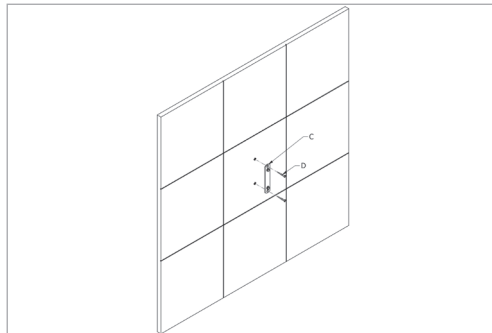
L5042



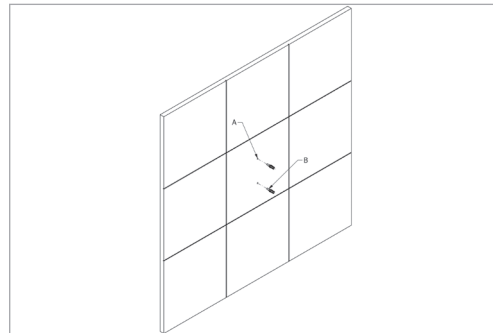
L7642K



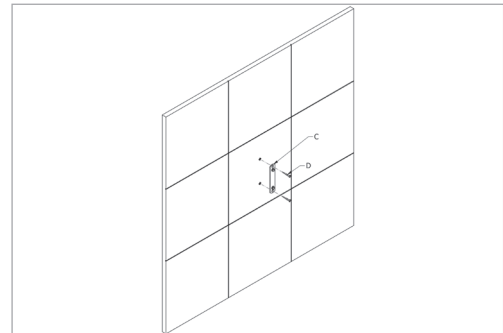
**1** Drill holes (A) in finished surface. Insert suitable wall plugs (B) (86mm / 3 3/8" centres).



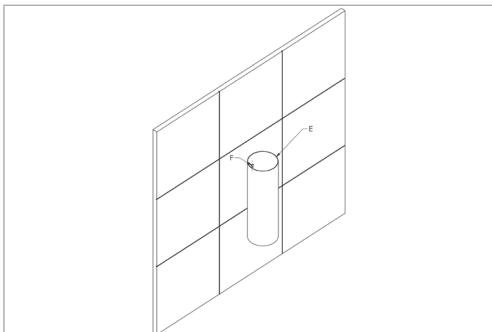
**2** Attach chassis (C) using screws (D)



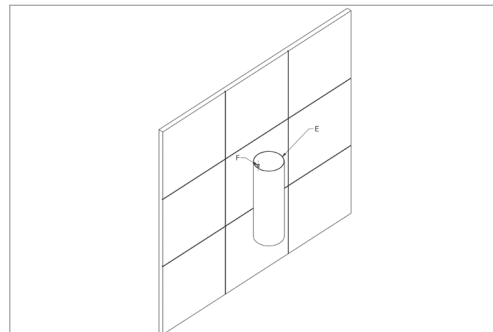
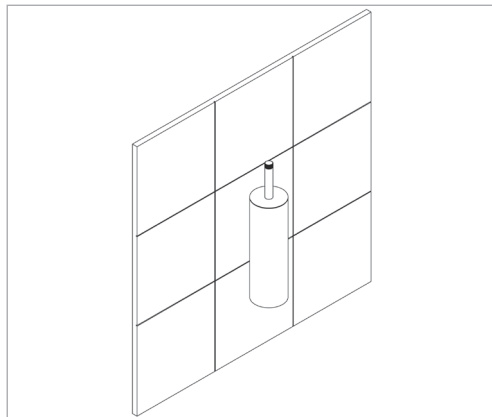
**1** Drill holes (A) in finished surface. Insert suitable wall plugs (B) (86mm / 3 3/8" centres).



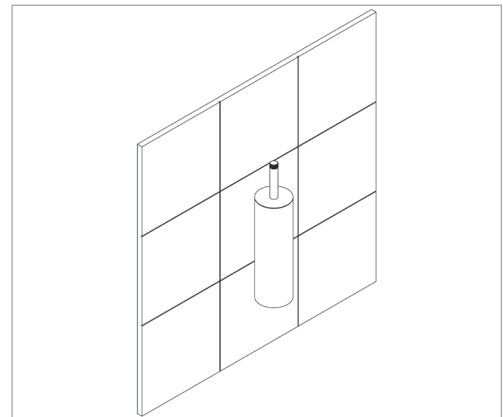
**2** Attach chassis (C) using screws (D)



**3** Push toilet brush (E) onto chassis (C). Secure using grub screws (F).



**3** Push toilet brush (E) onto chassis (C). Secure using grub screws (F).



**SAFETY NOTE**

Prior to drilling into walls: Check there are no hidden electrical wires, cables or water supply pipes with the aid of an electronic detector.

**Note:** Wall plugs supplied are only suitable for solid stone / brick walls. For plasterboard walls use specialist wall plugs. *Seek advice from a specialist about the suitability of fixings to be used.*

**SAMUEL HEATH**  
**Head Office and Customer Service**

Leopold Street  
 Birmingham  
 England  
 B12 0UJ  
 T: +44 (0)121 766 4200  
 F: +44 (0)121 772 3334

Info@samuel-heath.com  
 www.samuel-heath.com

**US Customer Service**  
 Federal I.D. No. 58-1504682  
 www.samuel-heath.com/us

9-1780

**SAFETY NOTE**

Prior to drilling into walls: Check there are no hidden electrical wires, cables or water supply pipes with the aid of an electronic detector.

**Note:** Wall plugs supplied are only suitable for solid stone / brick walls. For plasterboard walls use specialist wall plugs. *Seek advice from a specialist about the suitability of fixings to be used.*

**SAMUEL HEATH**  
**Head Office and Customer Service**

Leopold Street  
 Birmingham  
 England  
 B12 0UJ  
 T: +44 (0)121 766 4200  
 F: +44 (0)121 772 3334

Info@samuel-heath.com  
 www.samuel-heath.com

**US Customer Service**  
 Federal I.D. No. 58-1504682  
 www.samuel-heath.com/us

9-1780