

SAMUEL HEATH

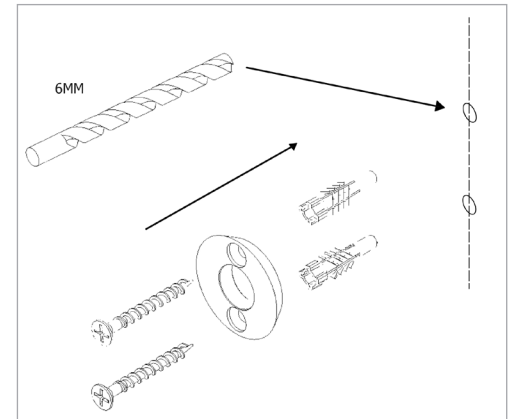
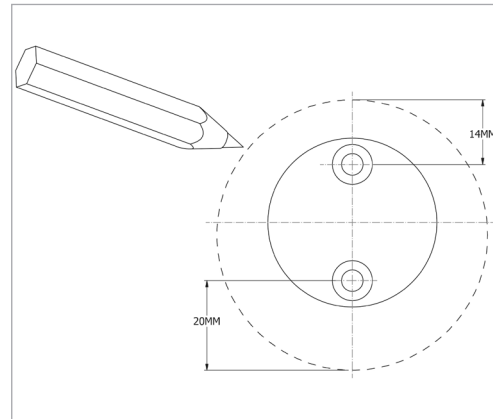
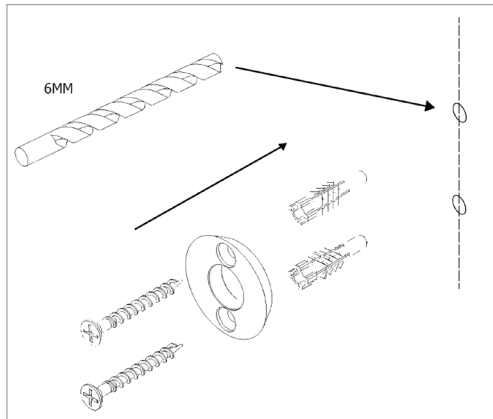
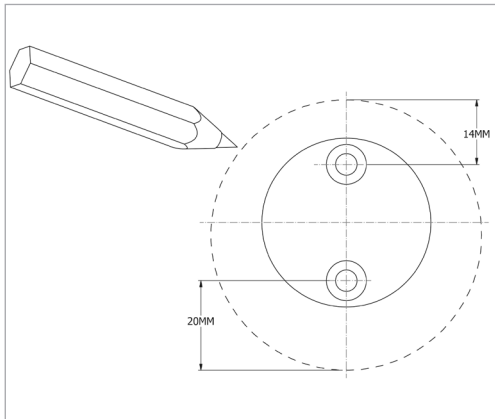
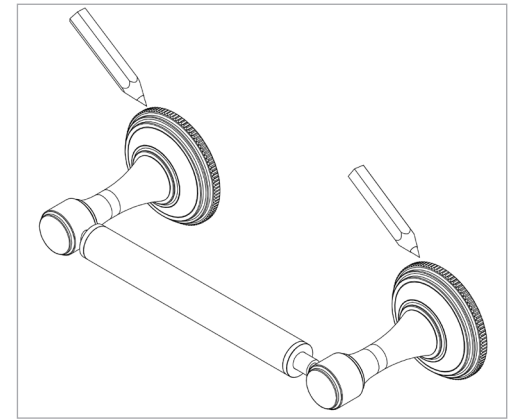
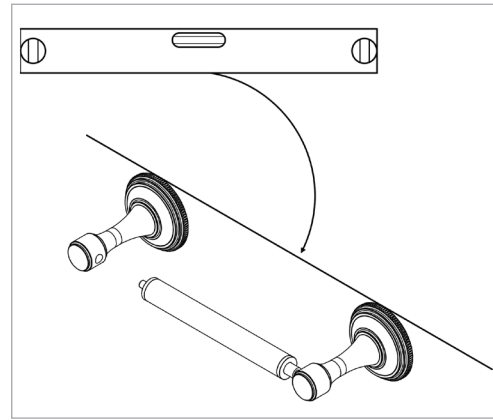
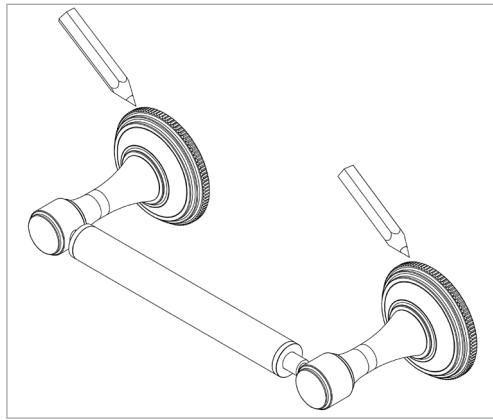
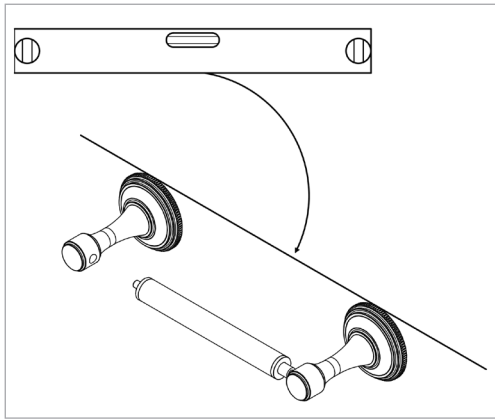
Product Data Sheet
N6652 Paper Holder



SAMUEL HEATH

Product Data Sheet
N6652 Paper Holder





SAFETY NOTE

Prior to drilling into walls: Check there are no hidden electrical wires, cables or water supply pipes with the aid of an electronic detector.

Note: Wall plugs supplied are only suitable for solid stone / brick walls. For plasterboard walls use specialist wall plugs. *Seek advice from a specialist about the suitability of fixings to be used.*

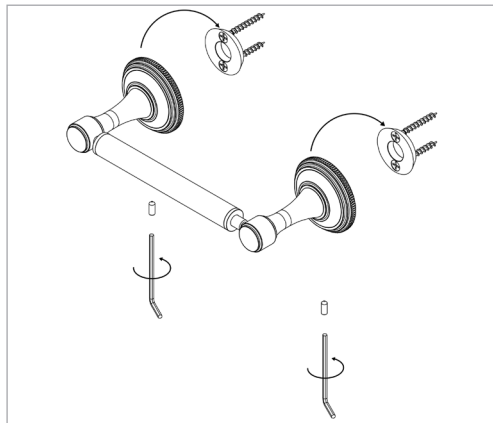
SAMUEL HEATH
Head Office and Customer Service
 Leopold Street
 Birmingham
 England
 B12 0UJ

T: +44 (0)121 766 4200
 F: +44 (0)121 772 3334

Info@samuel-heath.com
 www.samuel-heath.com

US Customer Service
 Federal I.D. No. 58-1504682
 www.samuel-heath.com/us

9-1909



SAFETY NOTE

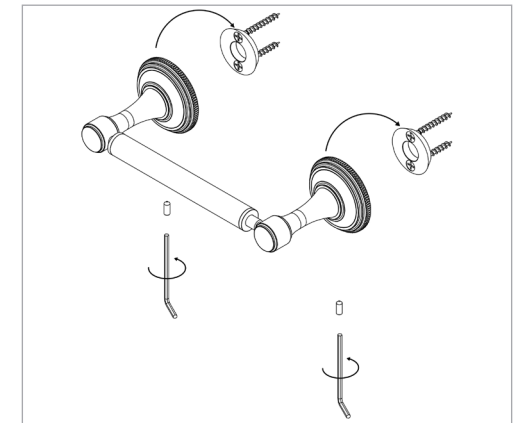
Prior to drilling into walls: Check there are no hidden electrical wires, cables or water supply pipes with the aid of an electronic detector.

Note: Wall plugs supplied are only suitable for solid stone / brick walls. For plasterboard walls use specialist wall plugs. *Seek advice from a specialist about the suitability of fixings to be used.*

SAMUEL HEATH
Head Office and Customer Service
 Leopold Street
 Birmingham
 England
 B12 0UJ

T: +44 (0)121 766 4200
 F: +44 (0)121 772 3334

Info@samuel-heath.com
 www.samuel-heath.com



US Customer Service
 Federal I.D. No. 58-1504682
 www.samuel-heath.com/us

9-1909