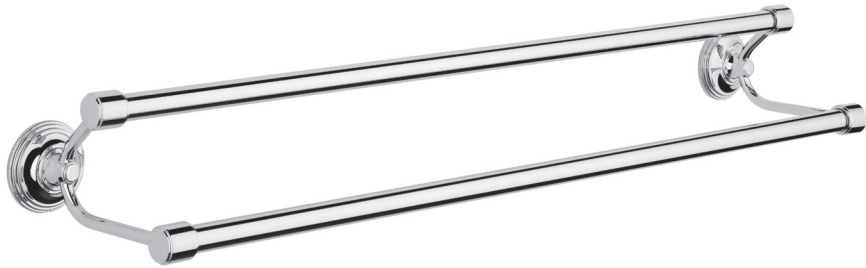


# SAMUEL HEATH

## Product Data Sheet

N6701 & N6701-A Double Towel Rail

---

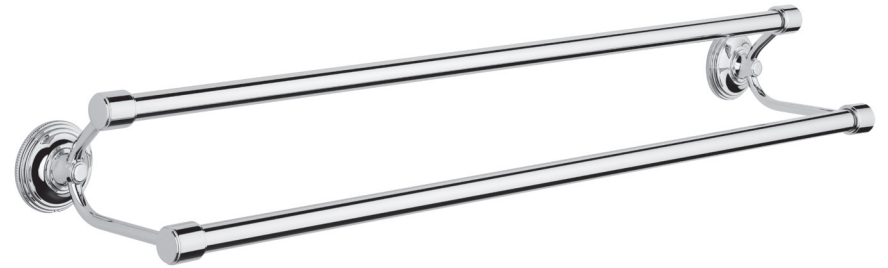


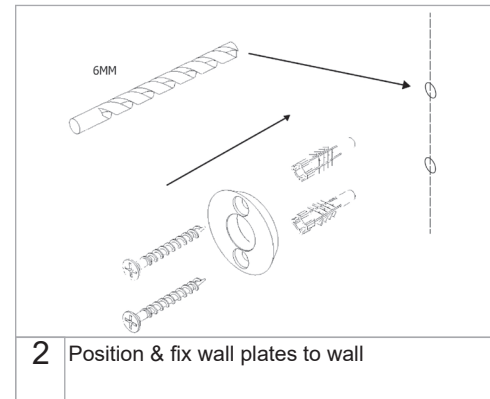
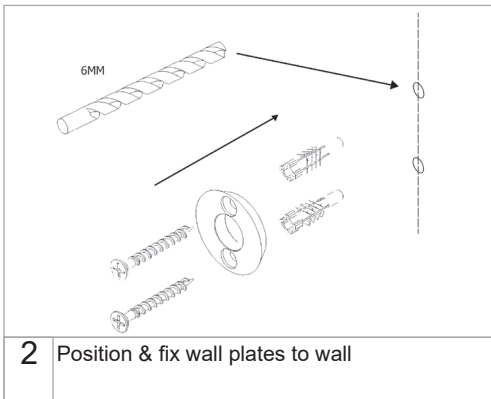
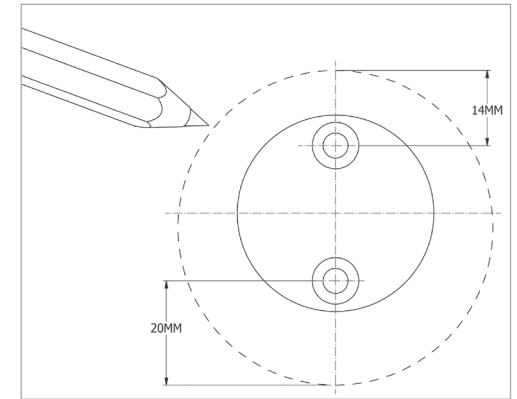
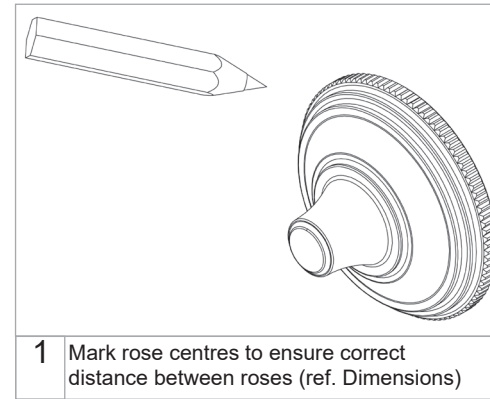
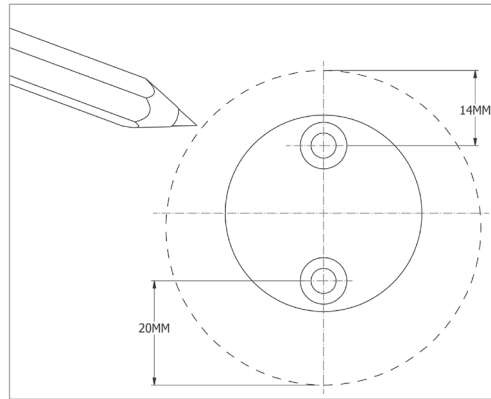
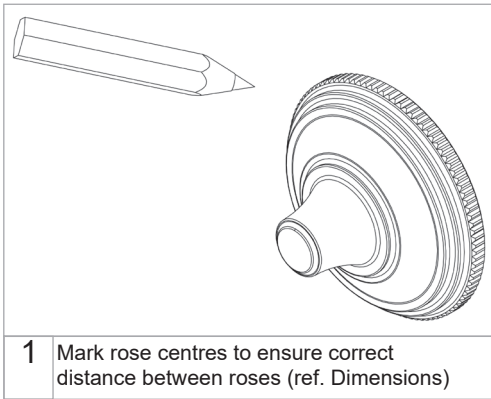
# SAMUEL HEATH

## Product Data Sheet

N6701 & N6701-A Double Towel Rail

---





**SAFETY NOTE**

Prior to drilling into walls:  
Check there are no hidden electrical wires, cables or water supply pipes with the aid of an electronic detector.

**Note:** Wall plugs supplied are only suitable for solid stone / brick walls. For plasterboard walls use specialist wall plugs. *Seek advice from a specialist about the suitability of fixings to be used.*

**SAMUEL HEATH**  
**Head Office and Customer Service**

Leopold Street  
Birmingham  
England  
B12 0UJ

T: +44 (0)121 766 4200  
F: +44 (0)121 772 3334

Info@samuel-heath.com  
www.samuel-heath.com

**US Customer Service**  
Federal I.D. No. 58-1504682  
www.samuel-heath.com/us

9-1912

**SAFETY NOTE**

Prior to drilling into walls:  
Check there are no hidden electrical wires, cables or water supply pipes with the aid of an electronic detector.

**Note:** Wall plugs supplied are only suitable for solid stone / brick walls. For plasterboard walls use specialist wall plugs. *Seek advice from a specialist about the suitability of fixings to be used.*

**SAMUEL HEATH**  
**Head Office and Customer Service**

Leopold Street  
Birmingham  
England  
B12 0UJ

T: +44 (0)121 766 4200  
F: +44 (0)121 772 3334

Info@samuel-heath.com  
www.samuel-heath.com

**US Customer Service**  
Federal I.D. No. 58-1504682  
www.samuel-heath.com/us

9-1912