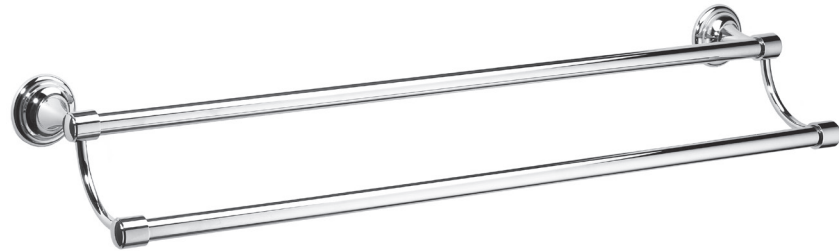


SAMUEL HEATH

Product Data Sheet

N9552 Double Towel Rail with Brass Rail

N9562 Double Towel Rail with Ceramic Rail



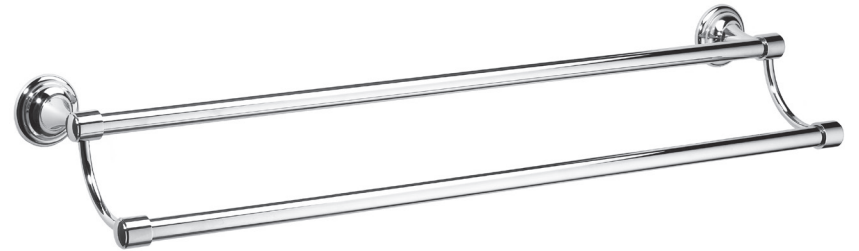
N9552-A, N9552-B

SAMUEL HEATH

Product Data Sheet

N9552 Double Towel Rail with Brass Rail

N9562 Double Towel Rail with Ceramic Rail



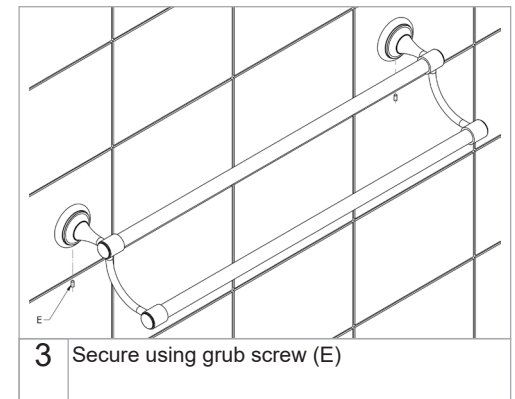
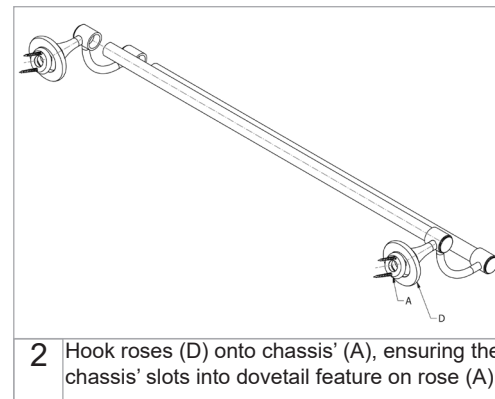
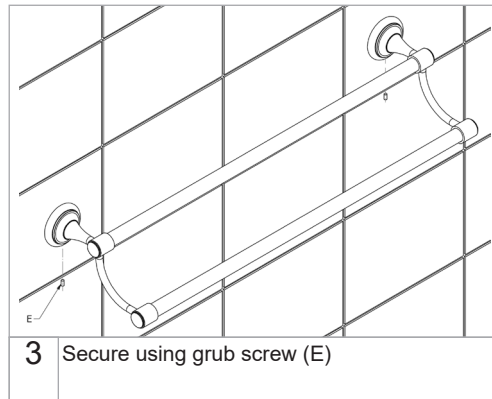
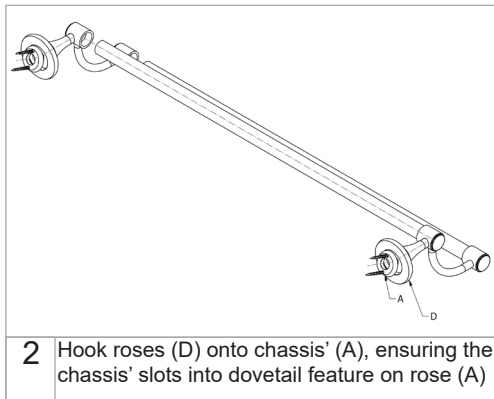
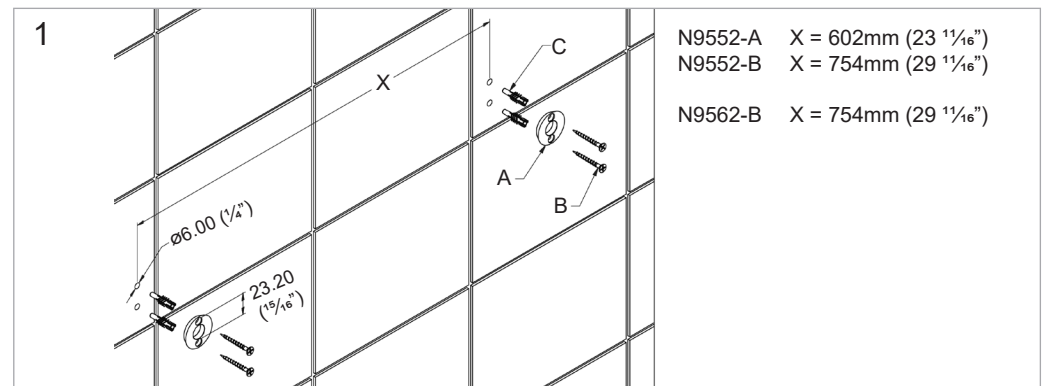
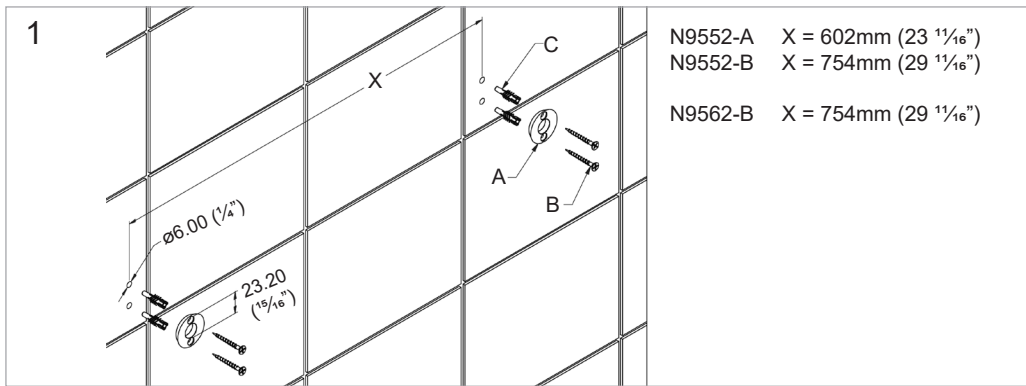
N9552-A, N9552-B



N9562-B



N9562-B



SAFETY NOTE

Prior to drilling into walls: Check there are no hidden electrical wires, cables or water supply pipes with the aid of an electronic detector.

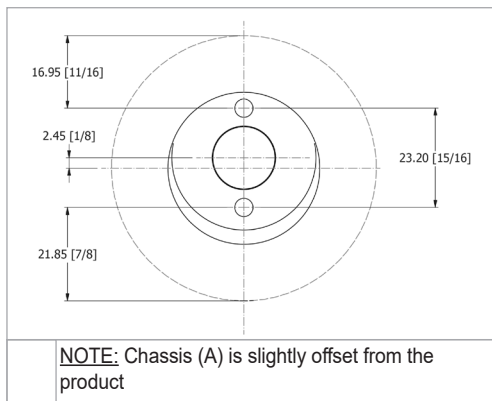
Note: Wall plugs supplied are only suitable for solid stone / brick walls. For plasterboard walls use specialist wall plugs. *Seek advice from a specialist about the suitability of fixings to be used.*

SAMUEL HEATH
Head Office and Customer Service

Leopold Street
Birmingham
England
B12 0UJ

T: +44 (0)121 766 4200
F: +44 (0)121 772 3334

Info@samuel-heath.com
www.samuel-heath.com



NOTE: Chassis (A) is slightly offset from the product

US Customer Service
Federal I.D. No. 58-1504682
www.samuel-heath.com/us

9-3620

SAFETY NOTE

Prior to drilling into walls: Check there are no hidden electrical wires, cables or water supply pipes with the aid of an electronic detector.

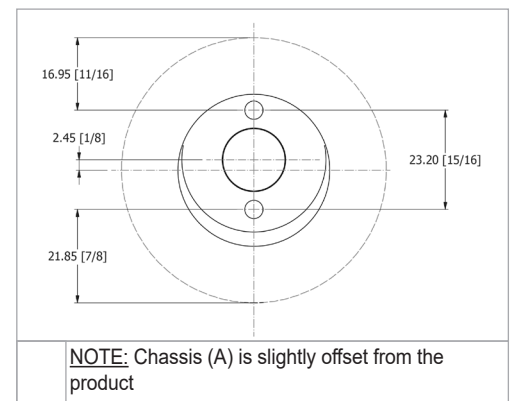
Note: Wall plugs supplied are only suitable for solid stone / brick walls. For plasterboard walls use specialist wall plugs. *Seek advice from a specialist about the suitability of fixings to be used.*

SAMUEL HEATH
Head Office and Customer Service

Leopold Street
Birmingham
England
B12 0UJ

T: +44 (0)121 766 4200
F: +44 (0)121 772 3334

Info@samuel-heath.com
www.samuel-heath.com



NOTE: Chassis (A) is slightly offset from the product

US Customer Service
Federal I.D. No. 58-1504682
www.samuel-heath.com/us

9-3620