

# SAMUEL HEATH

## Product Data Sheet

N9560 Framed Bevelled Tilting Mirror

---



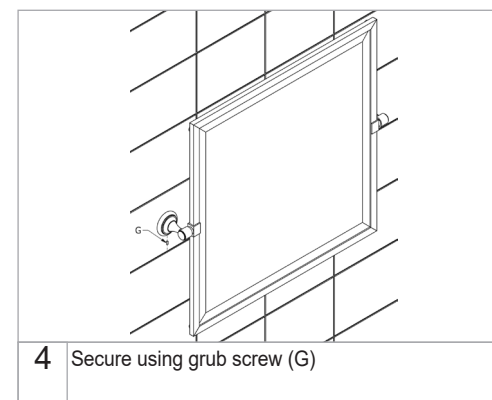
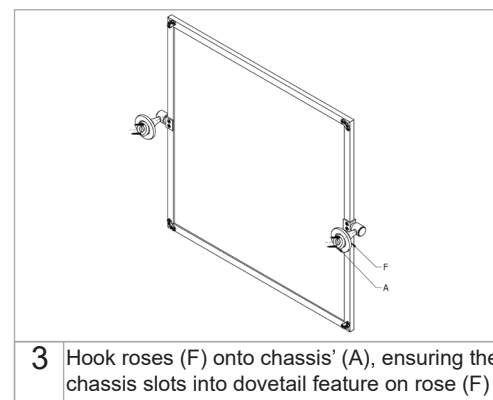
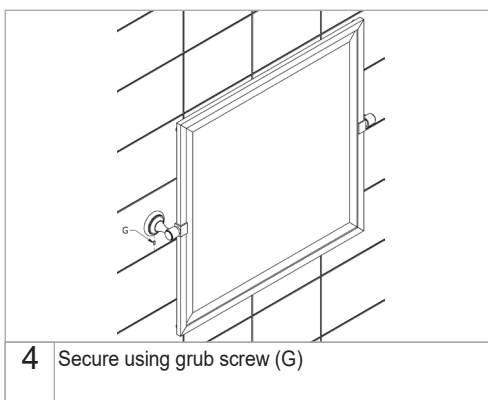
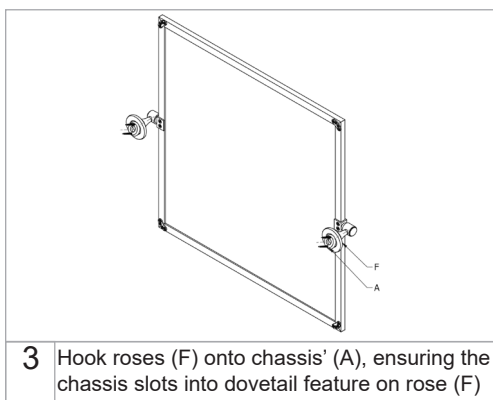
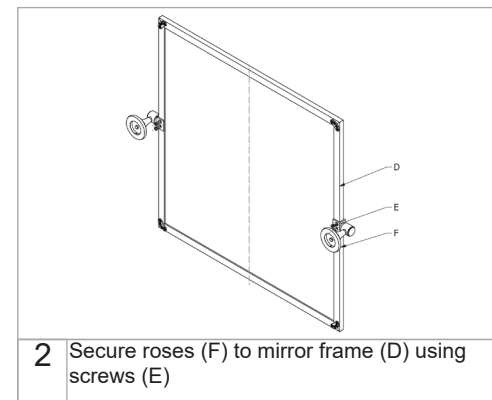
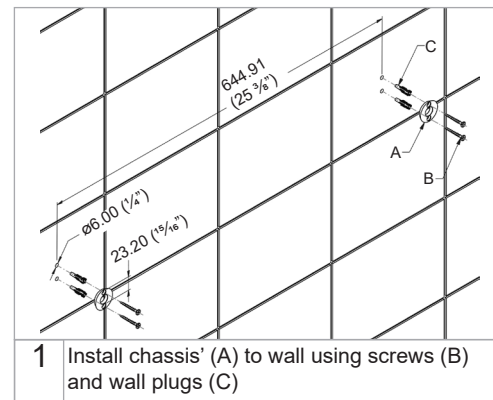
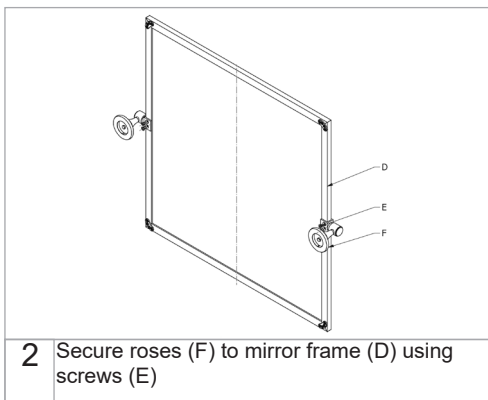
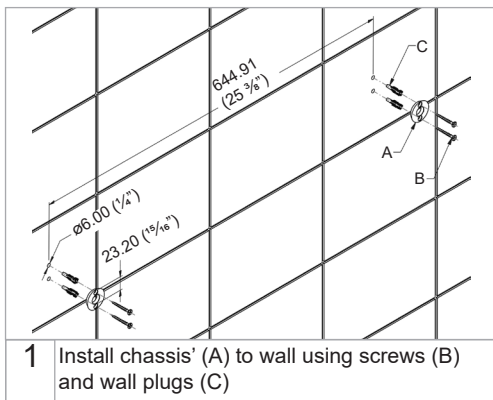
# SAMUEL HEATH

## Product Data Sheet

N9560 Framed Bevelled Tilting Mirror

---





**SAFETY NOTE**

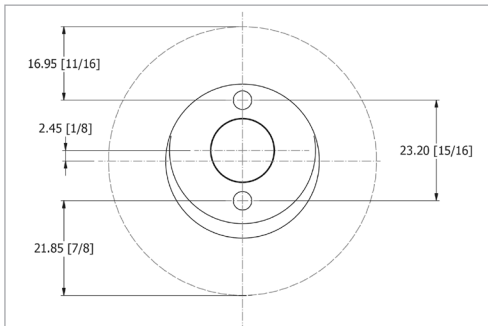
Prior to drilling into walls: Check there are no hidden electrical wires, cables or water supply pipes with the aid of an electronic detector.

**Note:** Wall plugs supplied are only suitable for solid stone / brick walls. For plasterboard walls use specialist wall plugs. *Seek advice from a specialist about the suitability of fixings to be used.*

**SAMUEL HEATH**  
 Head Office and Customer Service  
 Leopold Street  
 Birmingham  
 England  
 B12 0UJ

T: +44 (0)121 766 4200  
 F: +44 (0)121 772 3334

Info@samuel-heath.com  
 www.samuel-heath.com



**NOTE:** Chassis (A) is slightly offset from the product

**US Customer Service**  
 Federal I.D. No. 58-1504682  
 www.samuel-heath.com/us

9-3621

**SAFETY NOTE**

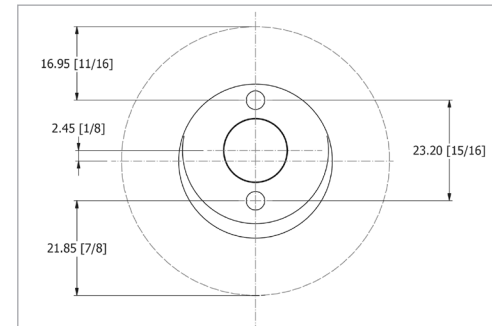
Prior to drilling into walls: Check there are no hidden electrical wires, cables or water supply pipes with the aid of an electronic detector.

**Note:** Wall plugs supplied are only suitable for solid stone / brick walls. For plasterboard walls use specialist wall plugs. *Seek advice from a specialist about the suitability of fixings to be used.*

**SAMUEL HEATH**  
 Head Office and Customer Service  
 Leopold Street  
 Birmingham  
 England  
 B12 0UJ

T: +44 (0)121 766 4200  
 F: +44 (0)121 772 3334

Info@samuel-heath.com  
 www.samuel-heath.com



**NOTE:** Chassis (A) is slightly offset from the product

**US Customer Service**  
 Federal I.D. No. 58-1504682  
 www.samuel-heath.com/us

9-3621