

# SAMUEL HEATH

**Product Number:** N1034

**Description:** Soap holder



## Finishes Available



Chrome Plate



Polished Nickel



Non Lacquered  
Brass



Antique Gold



Stainless Steel  
Finish



City Bronze



Polished Brass



Brushed Gold  
Gloss

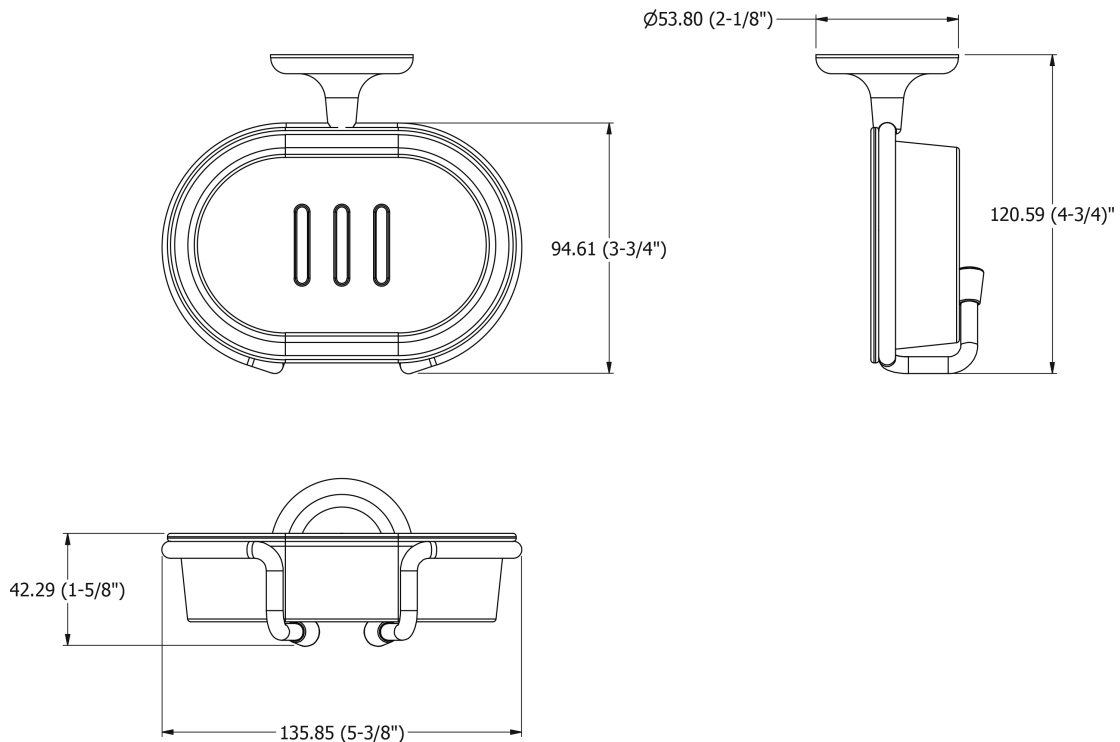


Brushed Gold Matt



Brushed Gold  
Unlacquered

## Specification Drawing



### UK Customer Service

Leopold Street  
Birmingham  
B12 0UJ  
Tel: +44 121 766 4200  
Email: [info@samuel-heath.com](mailto:info@samuel-heath.com)

### US Customer Service

Federal I.D. No. 58-1504682  
Email: [usa@samuel-heath.com](mailto:usa@samuel-heath.com)

### Specification Enquiries

Design Centre Chelsea Harbour  
1st Floor, North Dome, London  
SW10 0XE  
Tel: 020 7352 0249  
Email: [showroom@samuel-heath.com](mailto:showroom@samuel-heath.com)

1-05/09/2019