

SAMUEL HEATH

Product Number: N1098-8

Description: Towel ring, 8"



Finishes Available



Chrome Plate

Polished Nickel

Non Lacquered
Brass

Stainless Steel
Finish

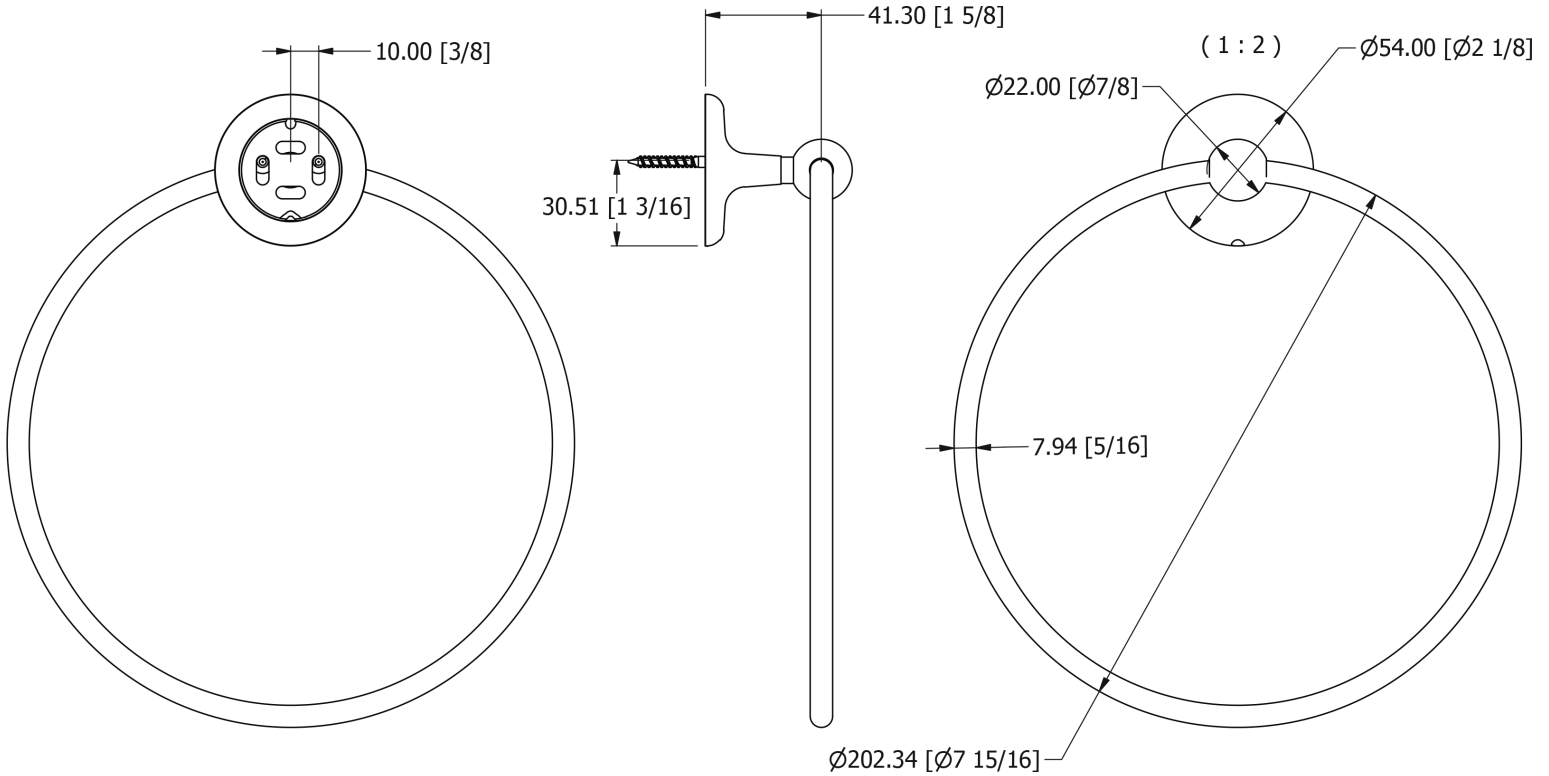
City Bronze

Brushed Gold
Gloss

Brushed Gold Matt

Brushed Gold
Unlacquered

Specification Drawing



UK Customer Service

Leopold Street
Birmingham
B12 0UJ
Tel: +44 121 766 4200
Email: info@samuel-heath.com

US Customer Service

Federal I.D. No. 58-1504682
Email: usa@samuel-heath.com

Specification Enquiries

Design Centre Chelsea Harbour
1st Floor, North Dome, London
SW10 0XE
Tel: 020 7352 0249
Email: showroom@samuel-heath.com