

SAMUEL HEATH

Product Number: N1437

Description: Paper holder



Finishes Available



Chrome Plate



Polished Nickel



Stainless Steel
with Matt Black



City Bronze



Matt Black Chrome



Brushed Gold Matt
with gloss black
chrome



Brushed Gold matt
with City Bronze

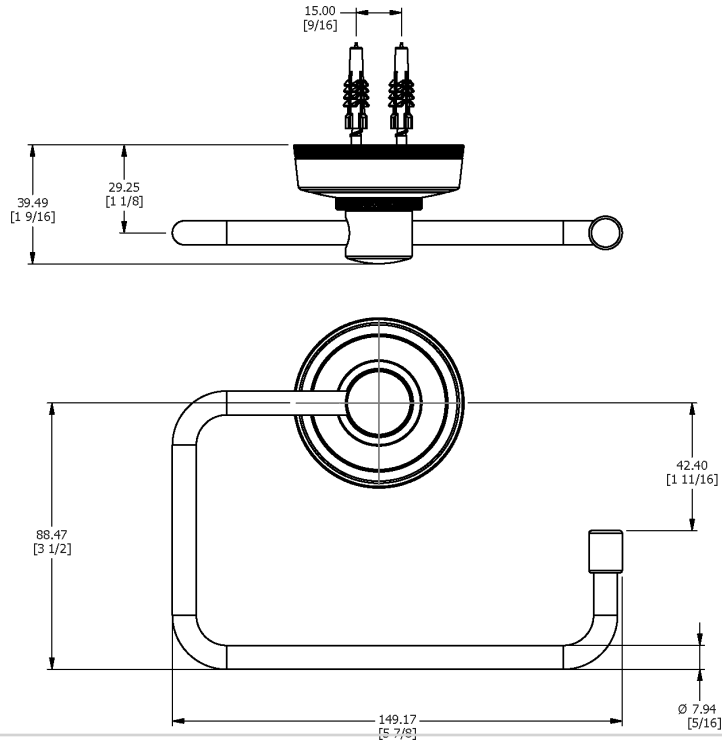


Stainless steel
finish with City
Bronze



Antique Gold with
gloss black chrome

Specification Drawing



UK Customer Service

Leopold Street
Birmingham
B12 0UJ
Tel: +44 121 766 4200
Email: info@samuel-heath.com

US Customer Service

Federal I.D. No. 58-1504682
Email: usa@samuel-heath.com

Specification Enquiries

Design Centre Chelsea Harbour
1st Floor, North Dome, London
SW10 0XE
Tel: 020 7352 0249
Email: showroom@samuel-heath.com