

SAMUEL HEATH

Product Number: N5092

Description: Double arm paper holder



Finishes Available



Chrome Plate

Polished Nickel

Stainless Steel
Finish

City Bronze

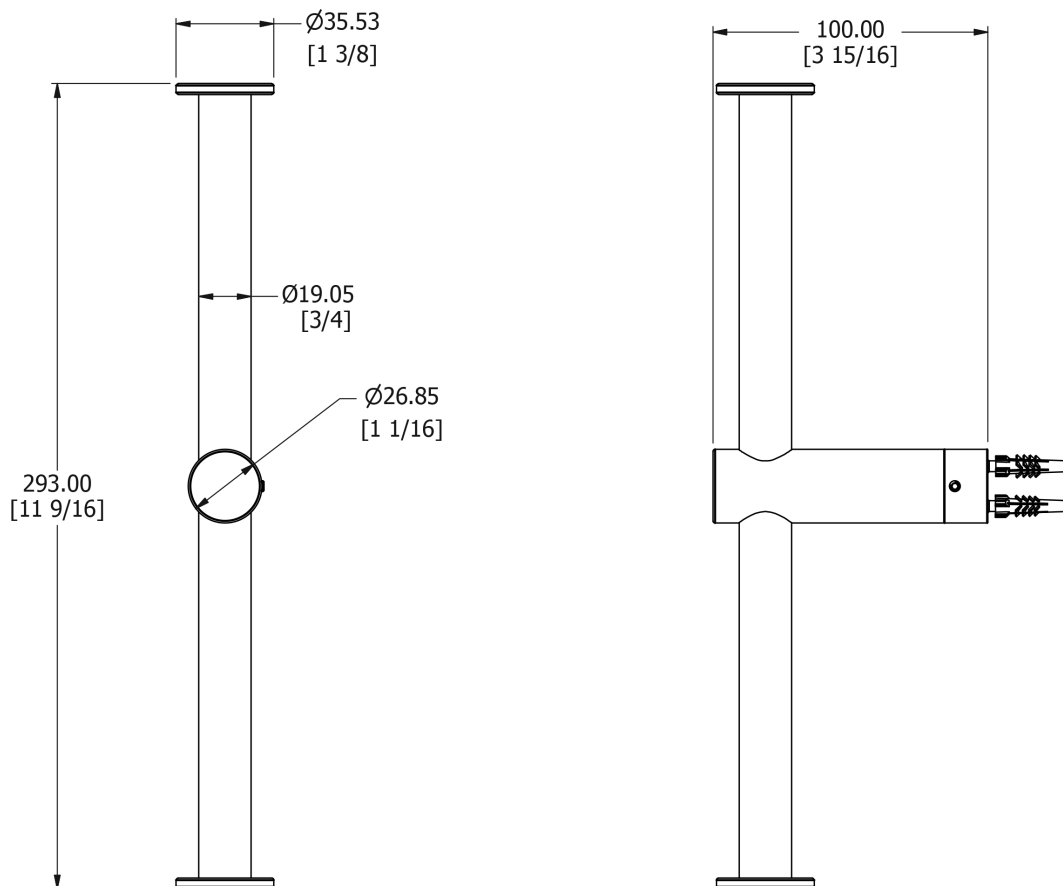
Matt Black Chrome

Brushed Gold
Gloss

Brushed Gold Matt

Brushed Gold
Unlacquered

Specification Drawing



UK Customer Service

Leopold Street
Birmingham
B12 0UJ
Tel: +44 121 766 4200
Email: info@samuel-heath.com

US Customer Service

Federal I.D. No. 58-1504682
Email: usa@samuel-heath.com

Specification Enquiries

Design Centre Chelsea Harbour
1st Floor, North Dome, London
SW10 0XE
Tel: 020 7352 0249
Email: showroom@samuel-heath.com

1-05/09/2019