

SAMUEL HEATH

Product Number: V611-TM

Description: Trim set for V111-AIS thermostatic valve



Standards



Flow rates

Litres/Min	0.1 Bar	0.5 Bar	1.0 Bar	2.0 Bar	3.0 Bar	4.0 Bar	5.0 Bar
1/2" Feed		8.7	13.0	20.5	24.5	28.2	31.6
3/4" Feed		11.0	16.0	26.0	29.7	34.0	37.3

Flow rate data provided is indicative of each product and is given in open outlet conditions. Installation design, external connections and fittings not supplied may affect the data provided.

Finishes Available



Chrome Plate

Polished Nickel

Non Lacquered Brass

Antique Gold

City Bronze

Country Bronze

Brushed Gold Gloss

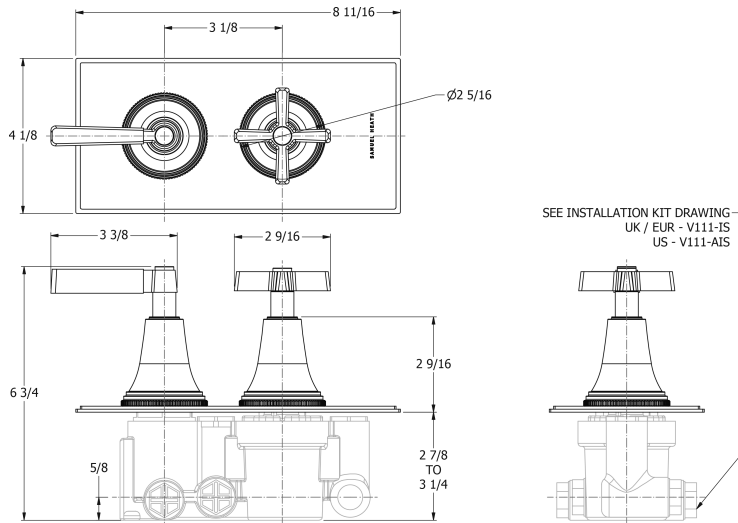
Brushed Gold Matt

Brushed Gold Unlacquered

Control Options Available



Specification Drawing



UK Customer Service

Leopold Street
Birmingham
B12 0UJ
Tel: +44 121 766 4200
Email: info@samuel-heath.com

US Customer Service

Federal I.D. No. 58-1504682
Email: usa@samuel-heath.com

Specification Enquiries

Design Centre Chelsea Harbour
1st Floor, North Dome, London
SW10 0XE
Tel: 020 7352 0249
Email: showroom@samuel-heath.com