

SAMUEL HEATH

Product Number: V6KA30D

Description: Tub / shower mixer

Finishes Available



Chrome Plate



Polished Nickel



Non Lacquered Brass



Antique Gold



City Bronze



Country Bronze



Brushed Gold Gloss

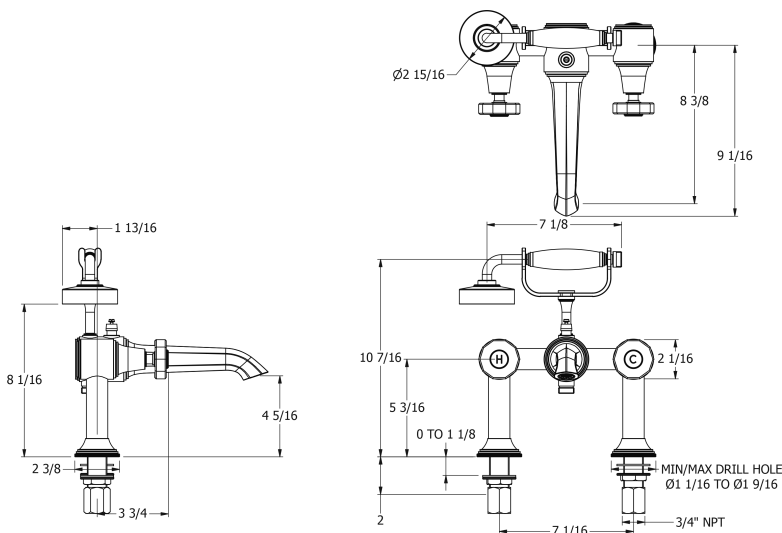


Brushed Gold Matt

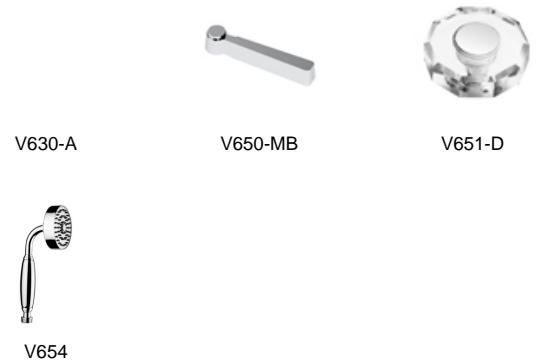


Brushed Gold Unlacquered

Specification Drawing



Kit Components



V630-A

V650-MB

V651-D

V654

UK Customer Service

Leopold Street
Birmingham
B12 0UJ
Tel: +44 121 766 4200
Email: info@samuel-heath.com

US Customer Service

Federal I.D. No. 58-1504682
Email: usa@samuel-heath.com

Specification Enquiries

Design Centre Chelsea Harbour
1st Floor, North Dome, London
SW10 0XE
Tel: 020 7352 0249
Email: showroom@samuel-heath.com